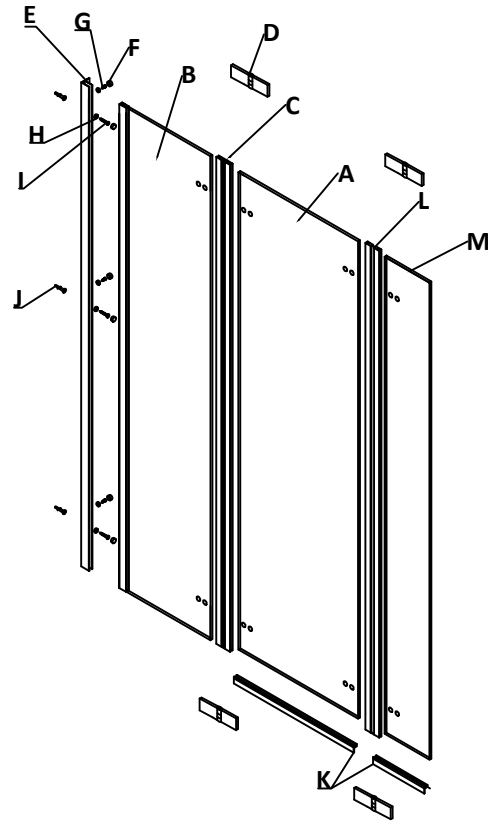


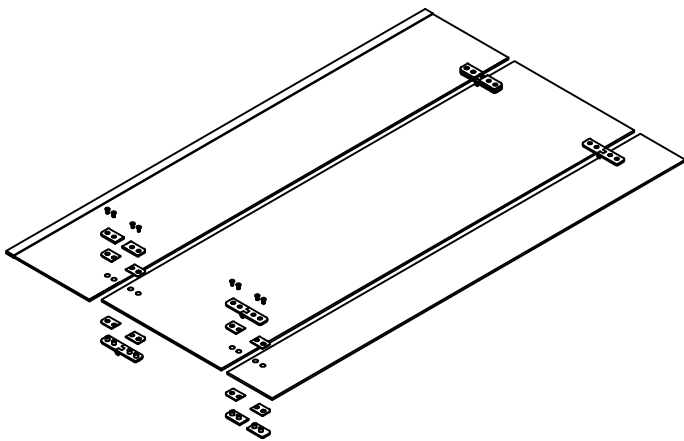
## ELLA HINGED SQ SHOWER BATH SCREEN FITTING INSTRUCTIONS (ERSBS0/ERSBS1)

A	HINGED PANEL	1
B	FIXED PANEL	1
C	MAGNETIC SEAL	1
D	HINGE	4
E	WALL POST	1
F	COVER CAPS	6
G	10mm S.T SCREWS	3
H	SCREW COLLARS	6
I	30mm SCREWS	3
J	WALL PLUGS	3
K	BOTTOM SEAL	2
L	CONCERTINA SEAL	1
M	HINGED END PANEL	1
	HANDLE (ERSBS1 ONLY)	1
	NOT SHOWN	

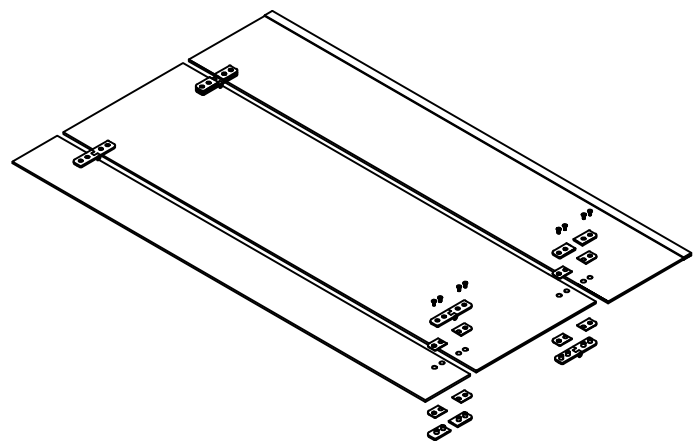


### TOOLS REQUIRED

POWER DRILL  
3.2 mm H.S DRILL  
5mm MASONRY DRILL  
POZI DRIVE SCREW DRIVER  
SPIRIT LEVEL

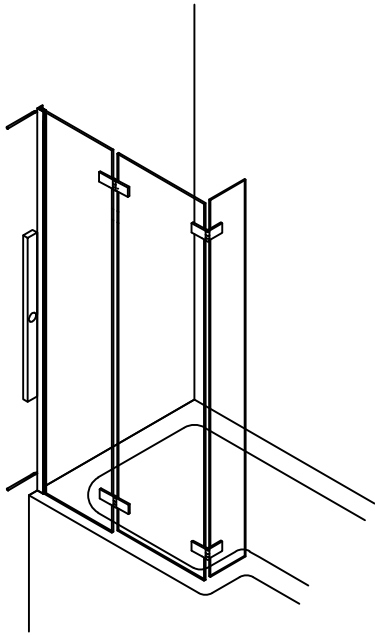


RIGHT HAND ASSEMBLY

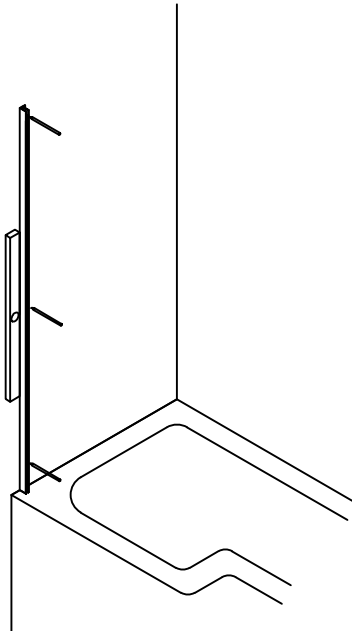


LEFT HAND ASSEMBLY

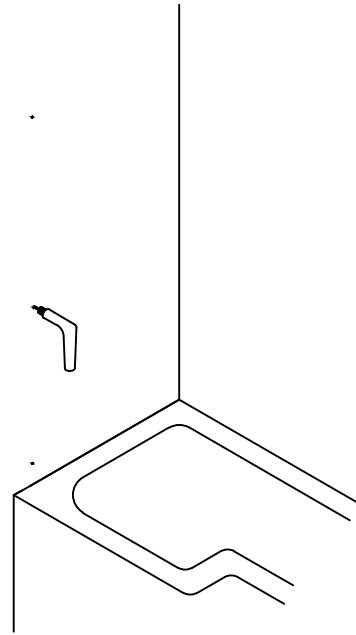
**1. LAY THE FIXED, HINGED AND END PANELS FACE DOWN WITH THE SHORT END OF THE HINGED AND END PANELS TO THE BOTTOM ONTO A PROTECTIVE SURFACE. DISASSEMBLE THE HINGES AND FIX TO THE PANELS AS SHOWN.**



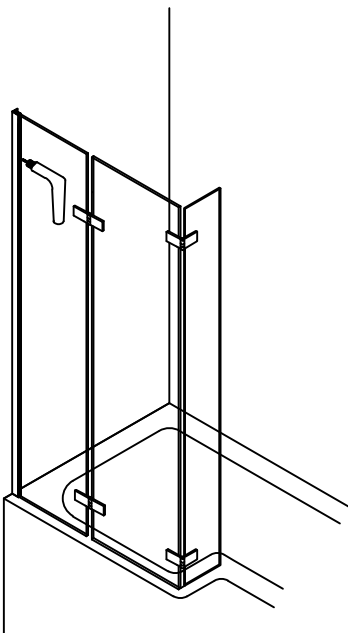
2. PUT THE WALL POST ONTO THE FIXED PANEL, WITH THE HELP OF ANOTHER PERSON PLACE IN POSITION ON THE BATH. USING A SPIRIT LEVEL MARK THE POSITION OF THE WALL POST ON THE WALL WHERE IT WILL BE FIXED.



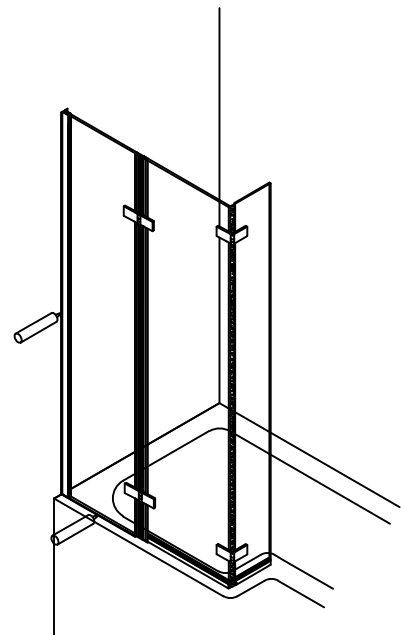
3. REMOVE THE SCREEN AND WALL POST FROM THE BATH, TAKE THE WALL POST AND PUT BACK INTO POSITION, USING A SPIRIT LEVEL TO ENSURE THAT THE POST IS PLUMB MARK THE POSITION OF THE 3 FIXING HOLES.



4. REMOVE THE WALL POST AND DRILL WHERE MARKED FOR THE WALL FIXINGS. REPLACE THE WALL POST AND SECURE INTO POSITION.



5. WITH THE HELP OF ANOTHER PERSON PLACE THE ASSEMBLED SCREEN INTO POSITION. MARK THE POSITIONS FOR THE 3 SIDE FIXINGS (SLIGHTLY OFFSET FROM THE WALL FIXINGS SO YOU CAN FIX THE COVER CAPS) ENSURE YOU DRILL THROUGH INTO THE FIRST PART OF THE HOLLOW BOX SECTION OF THE ALUMINIUM PROFILE ON THE FIXED SCREEN BEING CAREFUL NOT TO GO THROUGH THE OTHER SIDE (DO NOT DRILL INTO THE GLASS SECTION). DRILL THROUGH USING A 3.2 mm BIT AND FIX USING THE 10mm SELF TAPPING SCREWS.



6. FIT THE MAGNETIC SEAL BY SPLITTING THE SEAL AND ATTACHING TO THE VERTICAL SIDES OF THE FIXED AND HINGED PANELS THIS CAN BE DONE WITH THE DOOR IN THE OPEN POSITION. THEN FIT THE CONCERTINA SEAL BETWEEN THE HINGED AND END PANELS. FIT THE BOTTOM SEAL AND BUTT THIS UP AGAINST THE MAGNETIC SEAL AND CONCERTINA SEAL. USING A SANITARY GRADE SILICONE SEALANT SEAL DOWN THE WALL POST AND AROUND THE INSIDE AND OUTSIDE AT THE BOTTOM OF THE FIXED PANEL. LEAVE TO SET FOR 24 HOURS BEFORE USING THE BATH SCREEN.