

□ **CARE AND CLEANING INSTRUCTIONS**

- The seat and cover should be cleaned using warm soapy water.
- Do not use aggressive or abrasive cleaners as this may scratch the surface of the seat.
- The hinges should be cleaned using soap, or a mild detergent. After cleaning the hinges should be rinsed in clean water and dried.
- Never use bleach, concentrated cleaners or acids on the hinges as this will cause discolouring and pitting.
- Do not leave bleach in the toilet bowl with the cover closed because this may cause discolouration of the seat and hinges.
- Take care not to splash the hinges when using bleach in the toilet bowl.

The Bathroom Works  
National Avenue  
Kingston upon Hull  
HU5 4HS  
England  
Telephone: (01482) 346461  
Telefax: (01482) 445886.

**CUSTOMER CARE HELPLINE**  
**0870 1296085**  
**FAX LINE 01482 499611**  
ukcustcare@idealstandard.com

Ideal Standard (UK) Ltd. pursues a policy of continuing improvement in design and performance of its products. The right is, therefore, reserved to vary specifications without notice.

4487 05/08

## Toilet Seat Installation Space Closet

Important Care and  
Installation Instructions,  
Please retain for future reference.

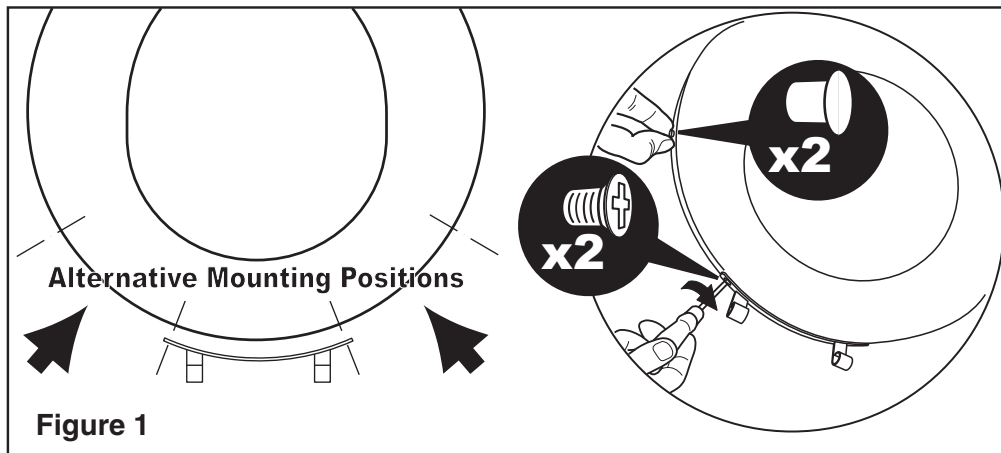


Figure 1

The **Space seat** can be positioned conventionally or turned 45° left or right.

**Line up the hinge** with one of the three alternative mounting positions, insert and tighten the screws and insert blanking plugs into the unused holes. Figure 1

**Insert the plastic sleeves**, that lock the seat and cover together, before inserting the hinge pins into the sleeves. Figure 2

**Check the orientation of the hinges.** On this model they throw

backwards. This ensures that the seat lines up correctly. Figure 3a

**Fit rubber centralising washers into the holes in the pan** and lower the seat and cover, ensuring that the hinges are inserted in the holes in the centralising washers. Figure 3

**Firstly fit a plastic coated washer**, then a steel spring washer and nut to the thread of each hinge, before tightening with the tool provided. Figure 4

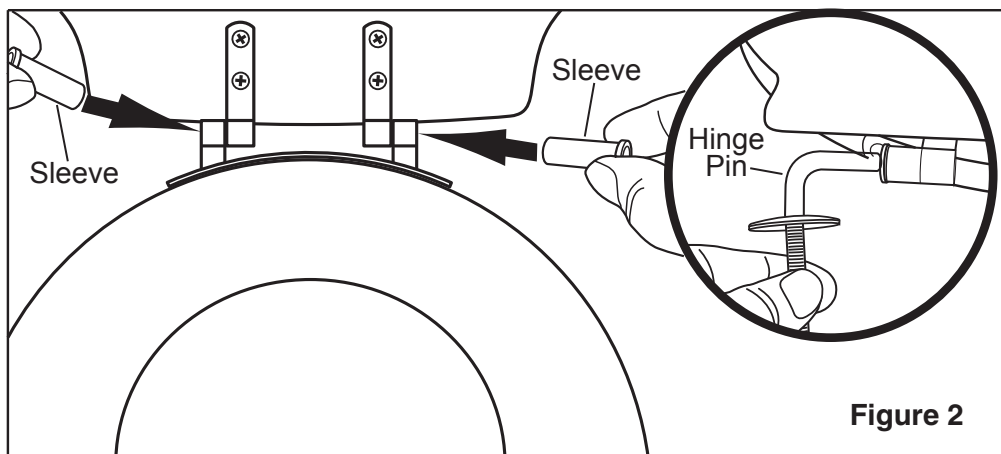


Figure 2

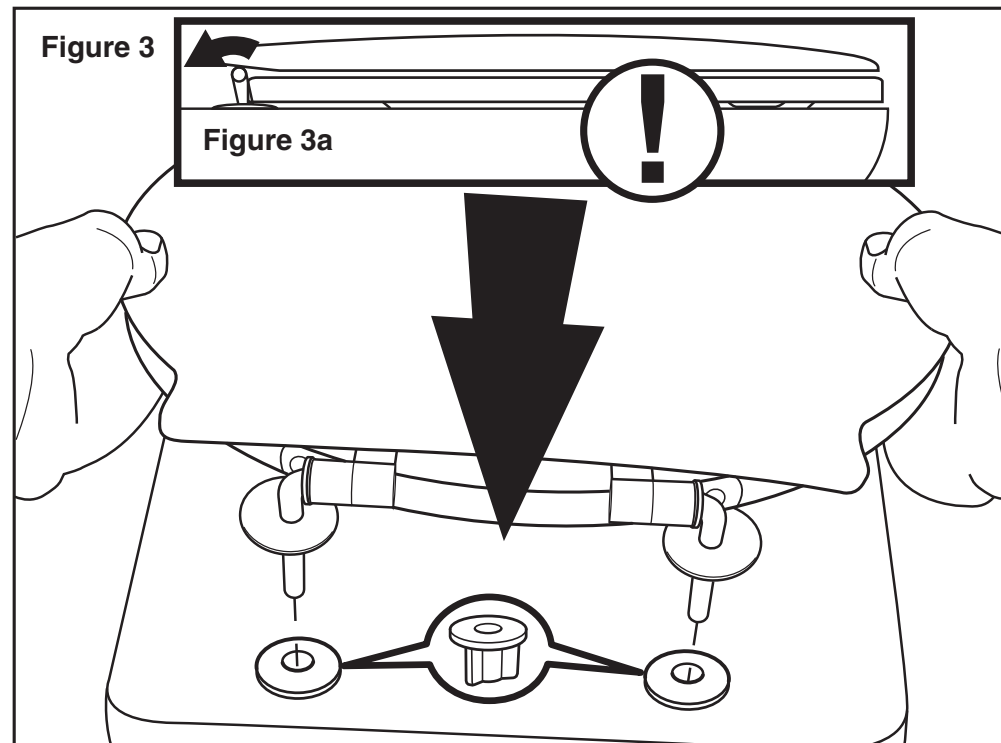


Figure 3

Figure 3a

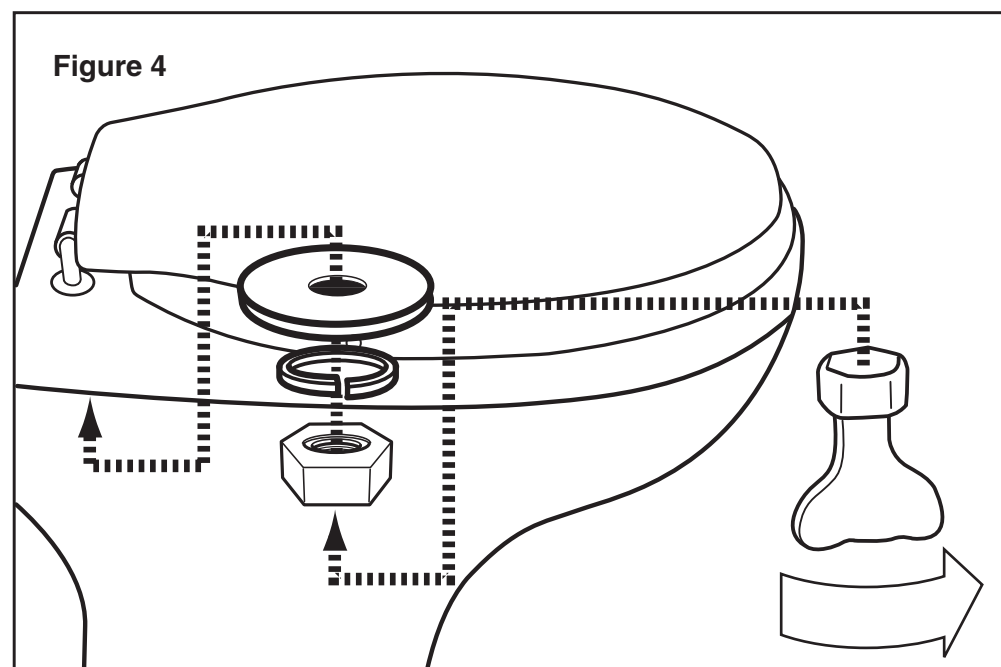


Figure 4