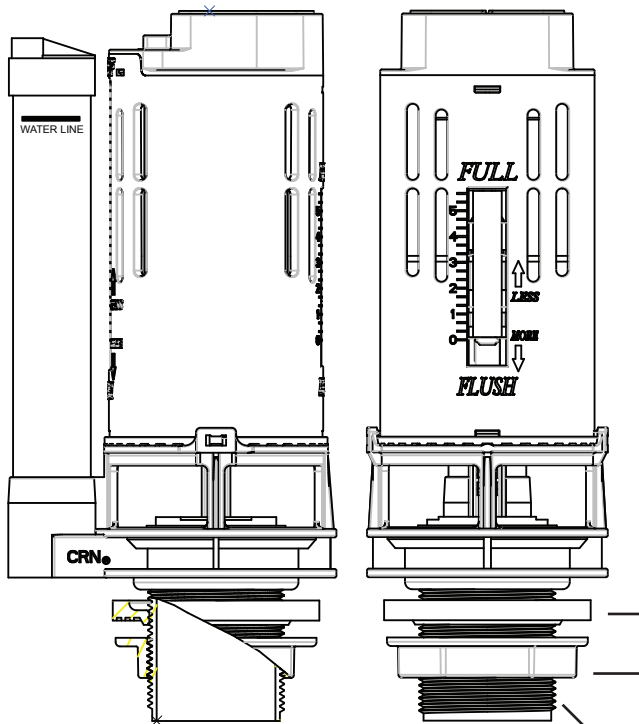
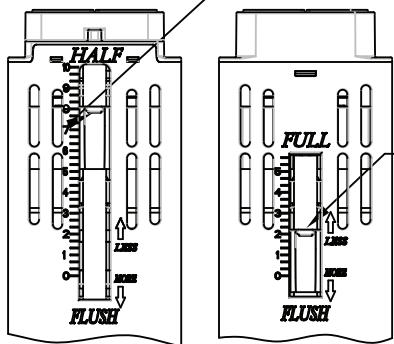


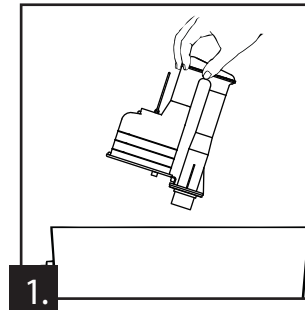
DUAL FLUSH TOP PRESS



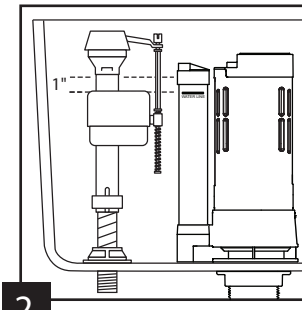
RUBBER WASHER
LOCK NUT
THREADED SHANK
HALF FLUSH FLOAT



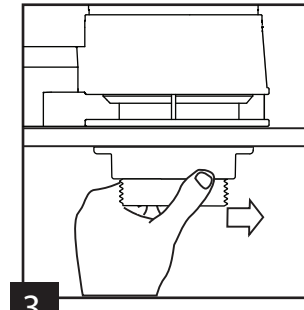
FULL FLUSH FLOAT



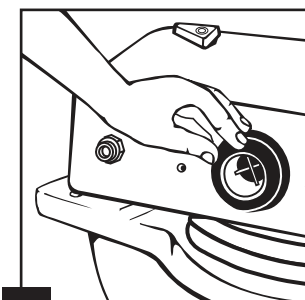
1.



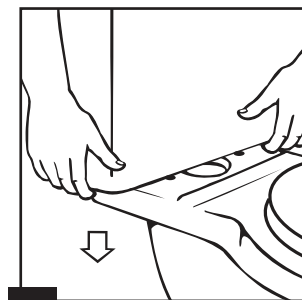
2.



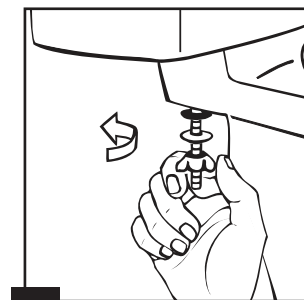
3.



4.



5.



6.

1. Remove old flush valve, including tank ball unit.

2. When installed, the top of the overflow pipe on the new flush valve should be at least 1" below the hole in the tank where the tank flush lever is mounted. If necessary, cut the overflow pipe with saw to achieve this height. The critical level mark on the fill valve (identified by a C.L. mark on the Fill Valve) should be at least 1" above the top of the overflow pipe.

3. Install new flush valve. Tighten lock nut 1/2 turn beyond hand tight. DO NOT OVERTIGHTEN or tank may crack.

4. Slide new rubber gasket onto threaded end of flush valve.

5. Place tank back on bowl so that tank-to-bowl gasket fits evenly. Level tank and bowl.

6. Reconnect tank to bowl with bolts, washers and nuts. Tighten bolts evenly, DO NOT OVERTIGHTEN or bowl may crack.