

INSTALLATION INSTRUCTIONS

crosswater[®]
SHOWERING

IMPORTANT - Please read before installation

Please read these instructions carefully before starting installation and keep in a safe place for future reference.

Check the contents of the pack carefully before installation. Simpsons will not be held responsible for any de-fit / re-fit costs where faulty product has been fitted.

If any fault is found with materials or workmanship, it must be reported immediately to the manufacturer. Remedial action will be taken, based on information received, on condition that:

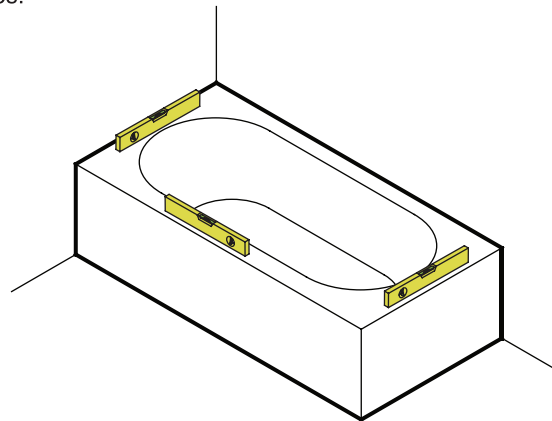
1. Full details are supplied to the manufacturer;
2. The bath screen has not been modified or tampered with;
3. The manufacturer is informed of any damage/shortages prior to installation.

We do not accept responsibility for any problems that may occur through incorrect installation.

The success of the installation and operation of any bath screen is, of course, dependant on the squareness, alignment and construction of the walls to which fixing is to be carried out.

VERY IMPORTANT

You must complete all tiling and grouting, and the bath **MUST** be level and fully sealed to the tiles before installation. If you do not fit the bath screen onto a tiled surface, or seal the tiles to the bath before installation, water may soak into the wall behind the wall profiles.



INSTALLATION - Advice and safety

The installation instructions are based on typical use and conditions.

All doors are designed to open outwards and inwards.

These hints have been prepared for your guidance, you must exercise due care at all times.

For Health and Safety 2 people must carry out the installation of this enclosure.

Handle glass with care. Although the glass supplied is toughened safety glass (EN12150), impacts can damage both the glass and the frame.

Warning!

Please check for any hidden pipes or cables before drilling holes in the wall.

When using power tools always follow the manufacturers user instructions.

If the Framework is sealed to the bath on the inside, any water that may get into the framework will not be able to drain back into the bath, this may cause the enclosure to leak.

Leave the silicone sealant to dry for 24 hours before using the enclosure.

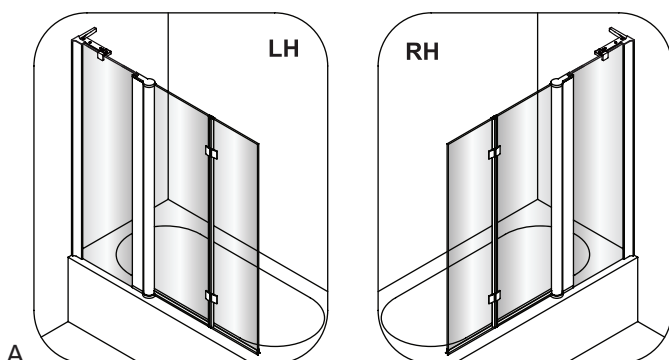
CARE AND CLEANING

Do not use solvents or abrasive material or chemicals to clean the bath screen.

Do not leave the screen unsupported for long periods of time.

Only clean using soapy water and a soft cloth, rinse thoroughly afterwards.

INSTALLATION - Left and Right hand

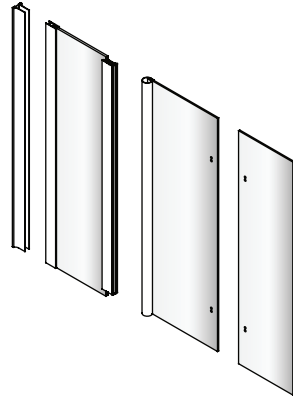


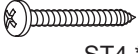
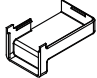
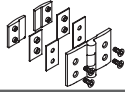

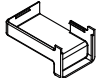


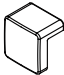


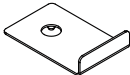


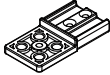
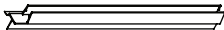

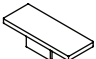
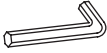
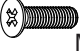


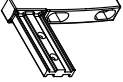
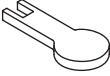

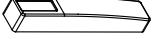
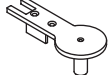

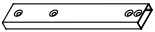


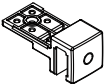
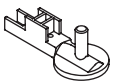


This product is reversible for left or right hand opening. Please follow the diagram, and refer to the detail for your choice of installation.

- Left entry: The parts detailed as " LH " should be used.
- Right entry: The parts detailed as " RH " should be used.

CONTENTS

TRIPLE PANE BATH SCREEN



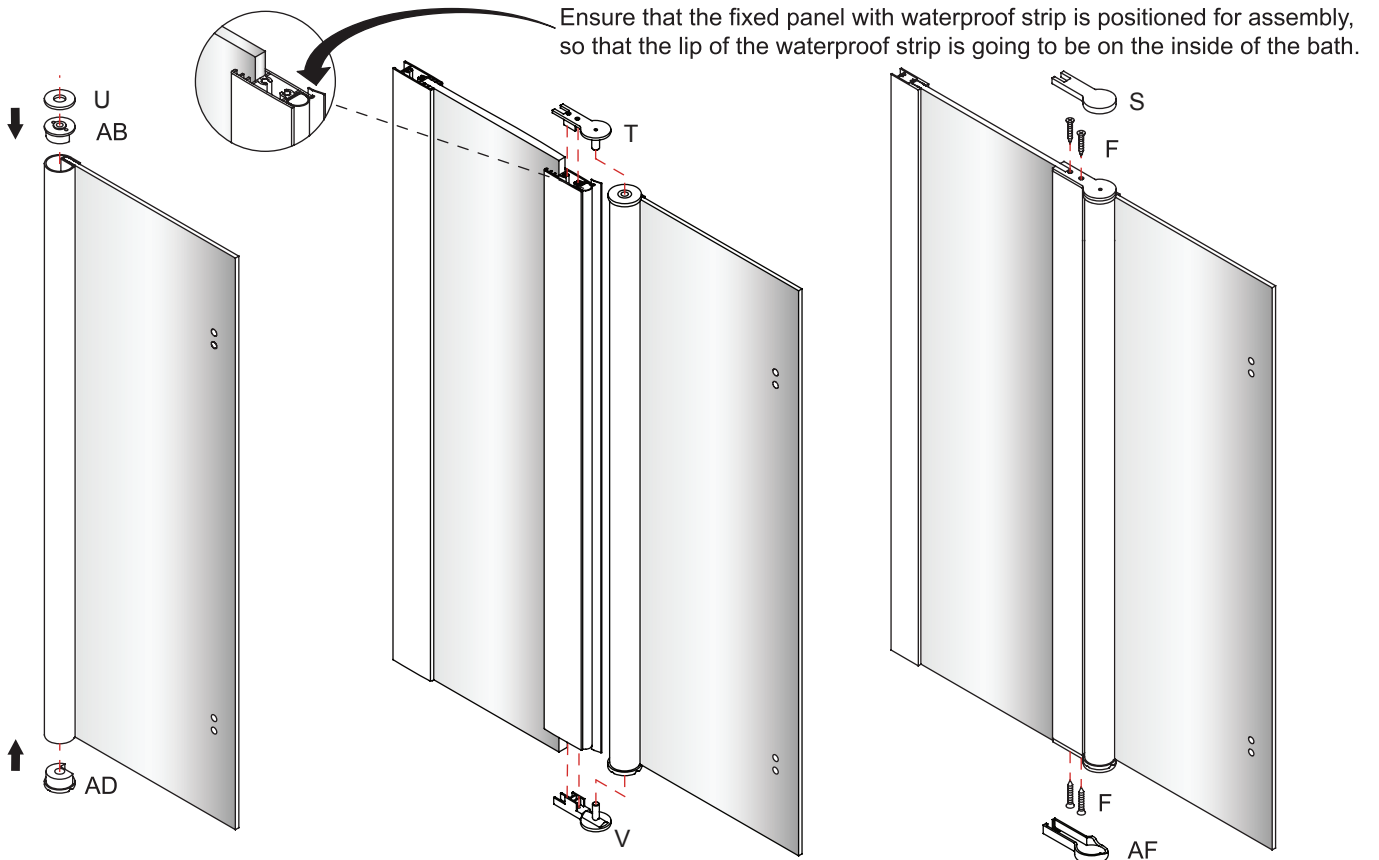
A	 ST4 *50mm Screw x 6	L	 Cap I (LH) x 1	W	 Hinge x 2
B	 Wall Plug x 6	M	 Cap I (RH) x 1	X	 Waterproof Strip x 1
C	 ST4 *12mm Screw x 4	N	 Cap II x 1	Y	 Waterproof Strip x 1
D	 Washer x 4	O	 Cap III x 1	Z1	 LH
E	 Cover x 4	P	 Fixed Part x 1	Z2	 RH Waterproof Strip x 2
F	 ST3.5 *25mm Screw x 4	Q	 Side Panel Cover x 1	AA	 Allen Key 4mm x 1
G	 M4 *8mm Screw x 5	R	 Wall Profile Cover x 1	AB	 Top Pivot Kit (LH) x 1
H	 Wall Bracket x 1	S	 Top Pivot Cover x 1	AC	 Top Pivot Kit (RH) x 1
I	 Wall Bracket Cover I x 1	T	 Top Pivot x 1	AD	 Bottom Pivot Kit (LH) x 1
J	 Support Bar x 1	U	 Top Pivot Cover x 1	AE	 Bottom Pivot Kit (RH) x 1
K	 Glass Clamp x 1	V	 Bottom Pivot x 1	AF	 Bottom Pivot Cover (LH) x 1
				AG	 Bottom Pivot Cover (RH) x 1

Tools and equipment needed

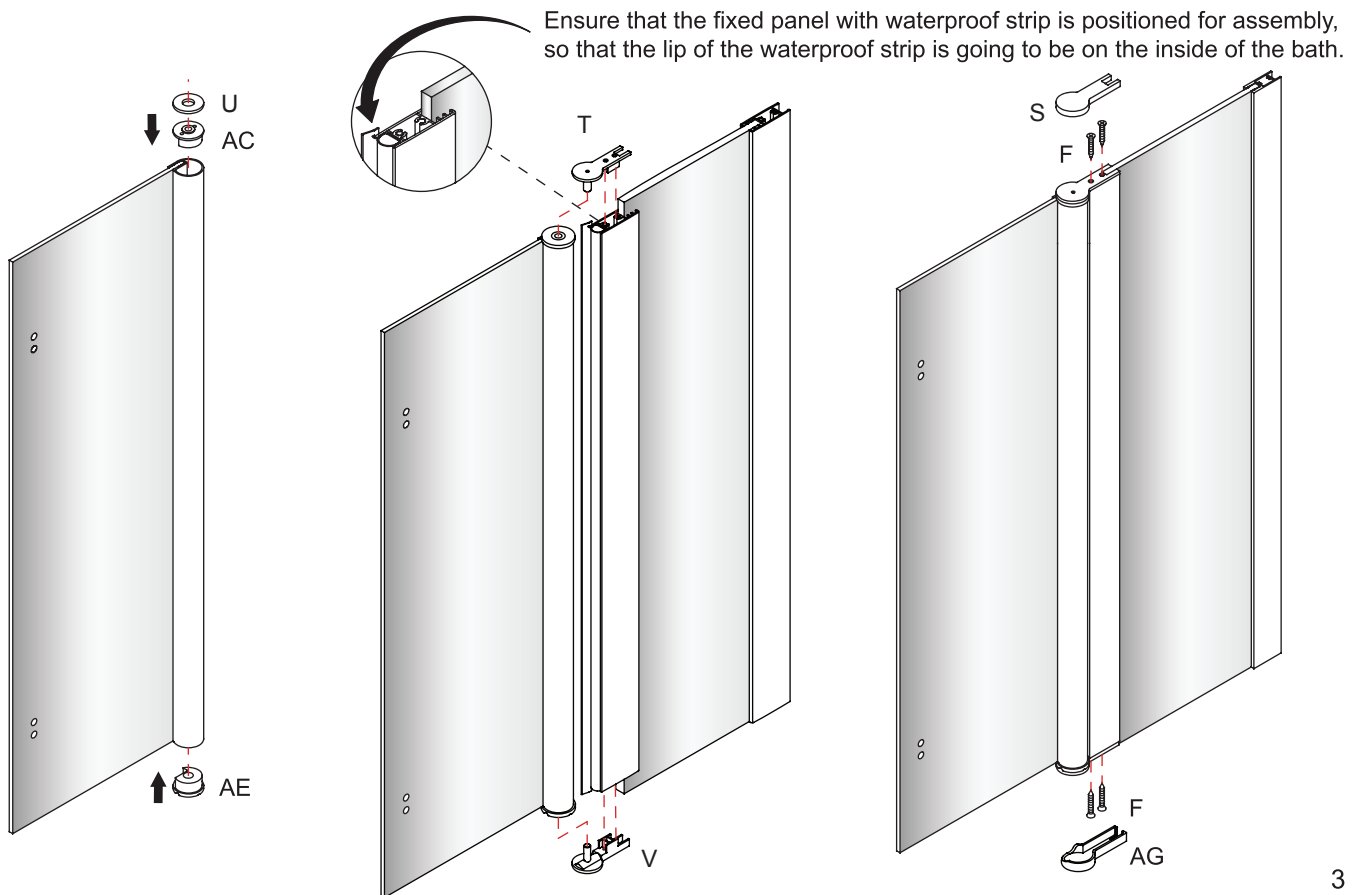
Drill, 6mm Masonry drill bit, 3.2mm General drill bit, Philips screwdriver, Spirit level, Pencil, Scissors, Silicone sealant.

⚠ Please follow diagram below for the correct assembly for Left or Right hand installation.

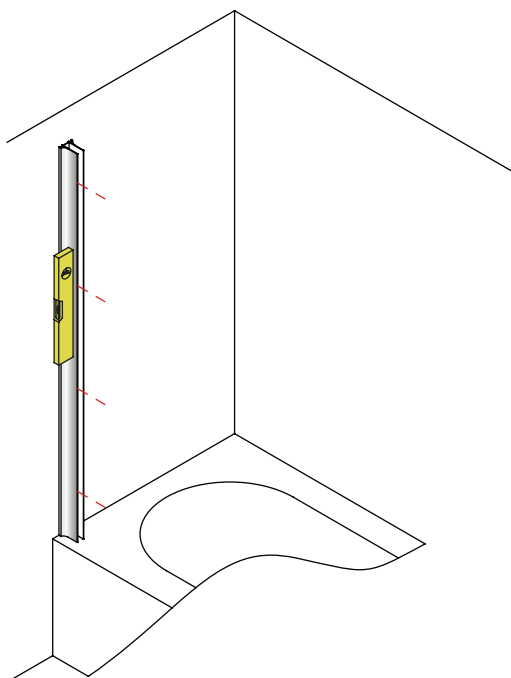
Left - Assemble pivot door (LH)



Right - Assemble pivot door (RH)



Step 1 - FITTING AND POSITIONING WALL CHANNEL

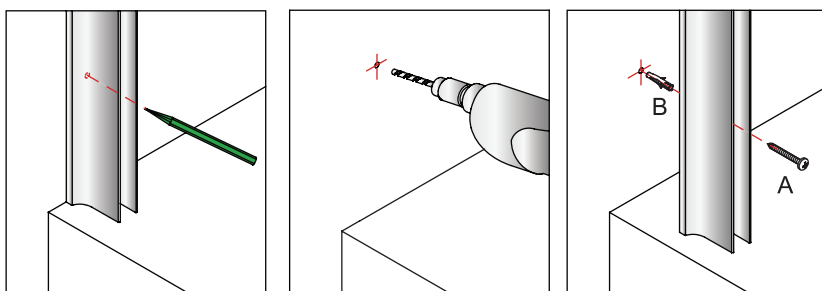


Place wall channel in position on the bath (20mm in from the edge of the bath), use a spirit level to ensure that it is vertical, and mark all 4 fixing holes on the wall.

Drill holes in the positions marked using a 6mm masonry drill bit. Insert wall plugs (B) into all of the holes (beyond the thickness of the tile).

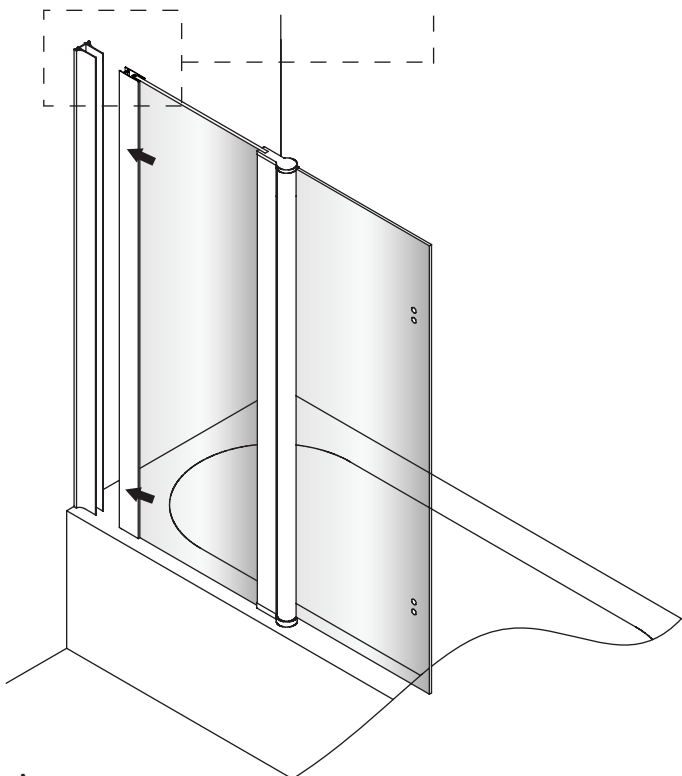
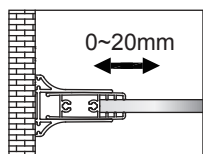
Fix the wall channel to the wall using 4 screws (A).

Note: Inject silicone sealant into the holes before inserting the screws to seal the holes.



Step 2

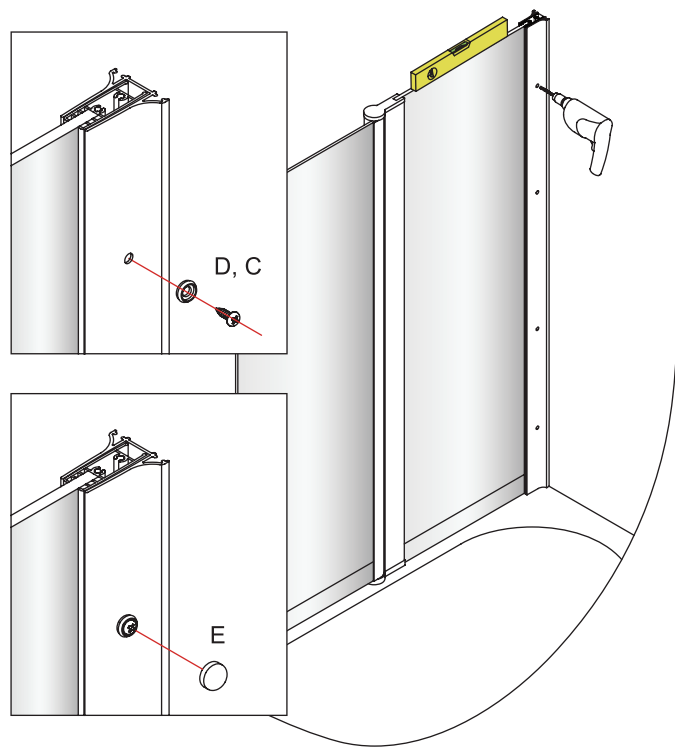
Push the pivot door into the wall channel.



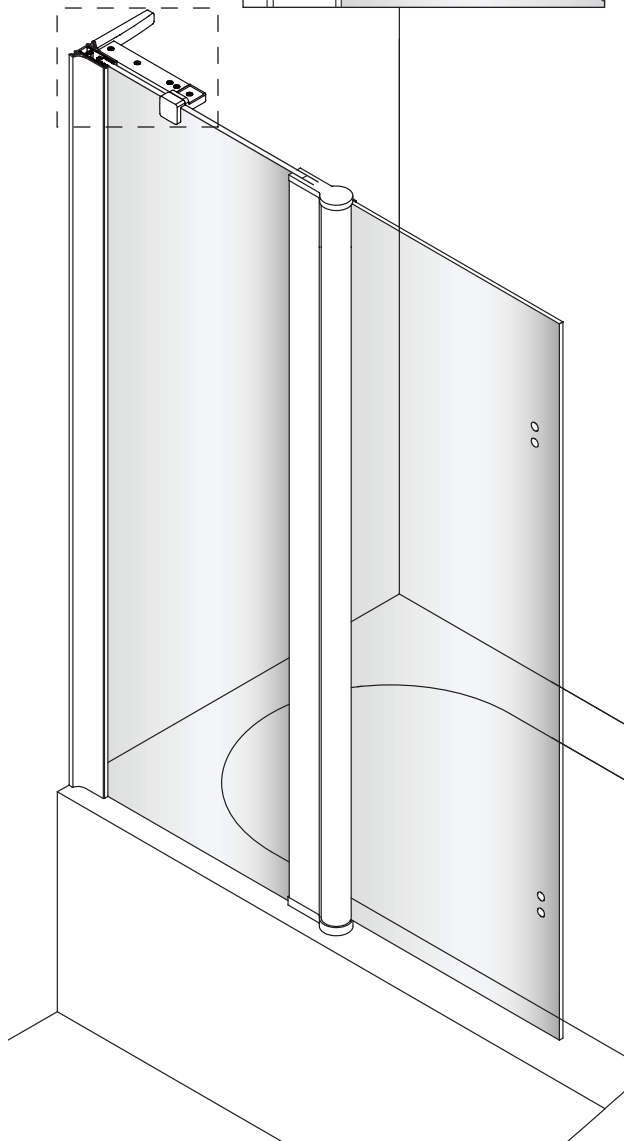
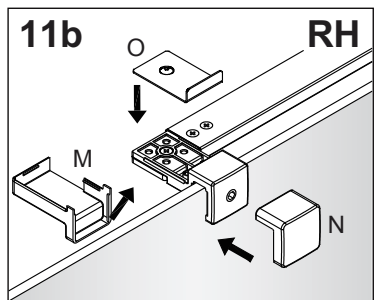
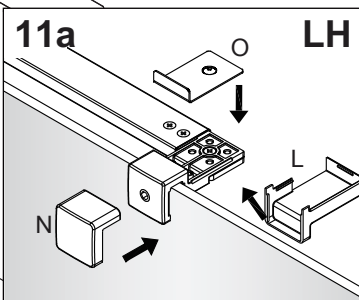
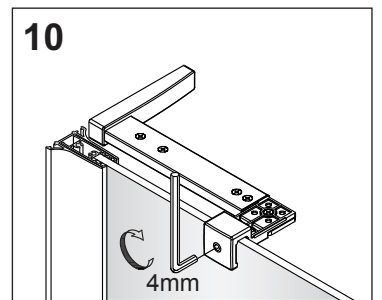
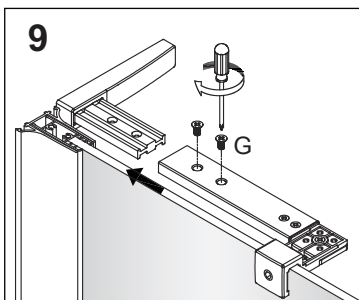
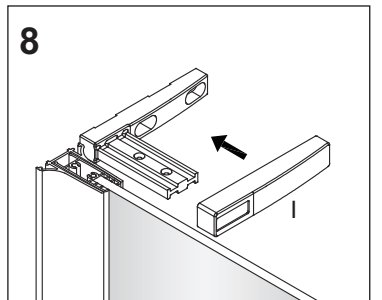
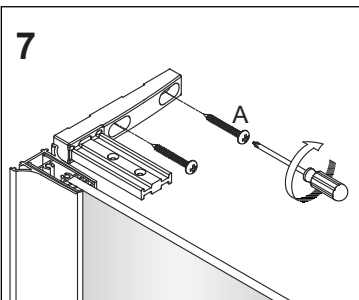
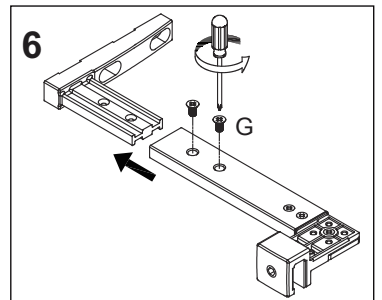
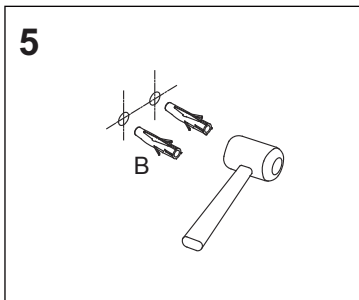
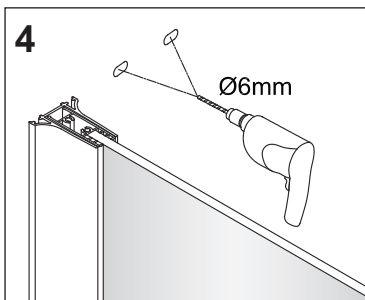
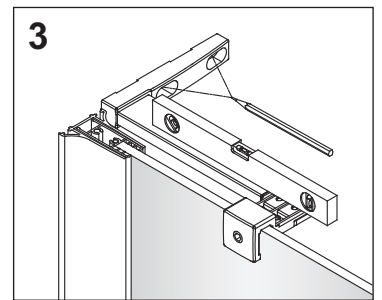
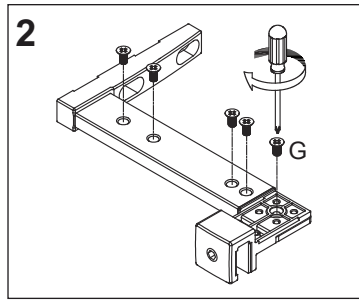
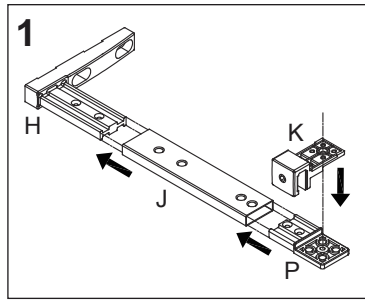
Step 3

Once you have checked that the door opens and closes correctly fix the door frame to the wall channel.

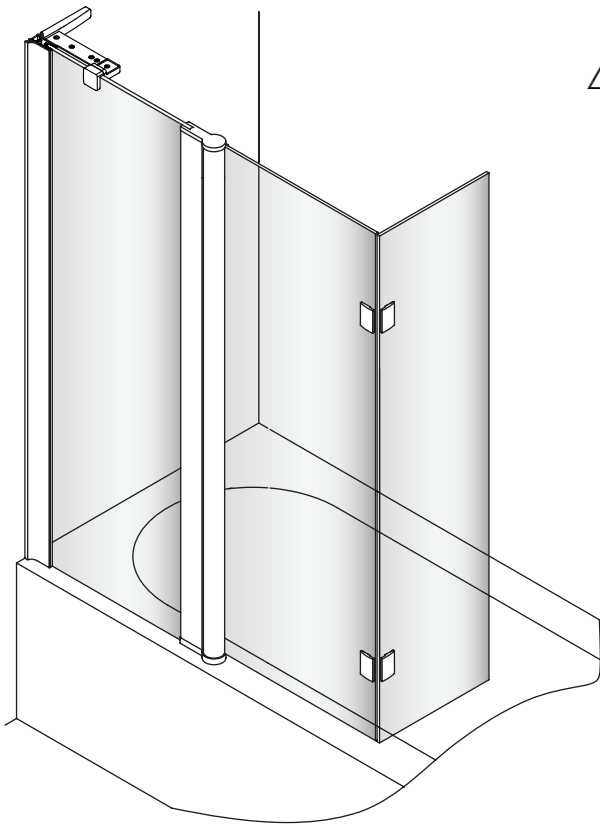
From inside, drill 4 holes through wall channel/door frame utilizing the predrilled holes with a 3.2mm drill bit. Fix using washers (D), screws (C) and push on the screw covers (E).



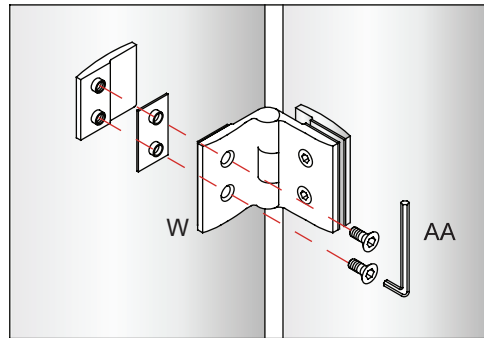
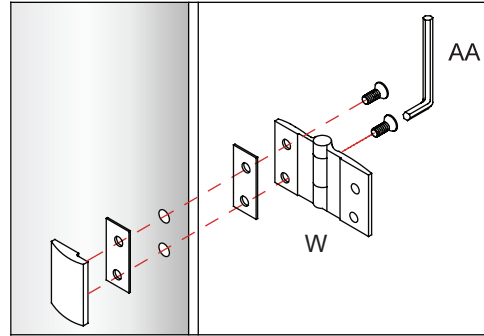
Step 4 - FITTING THE BRACING BAR



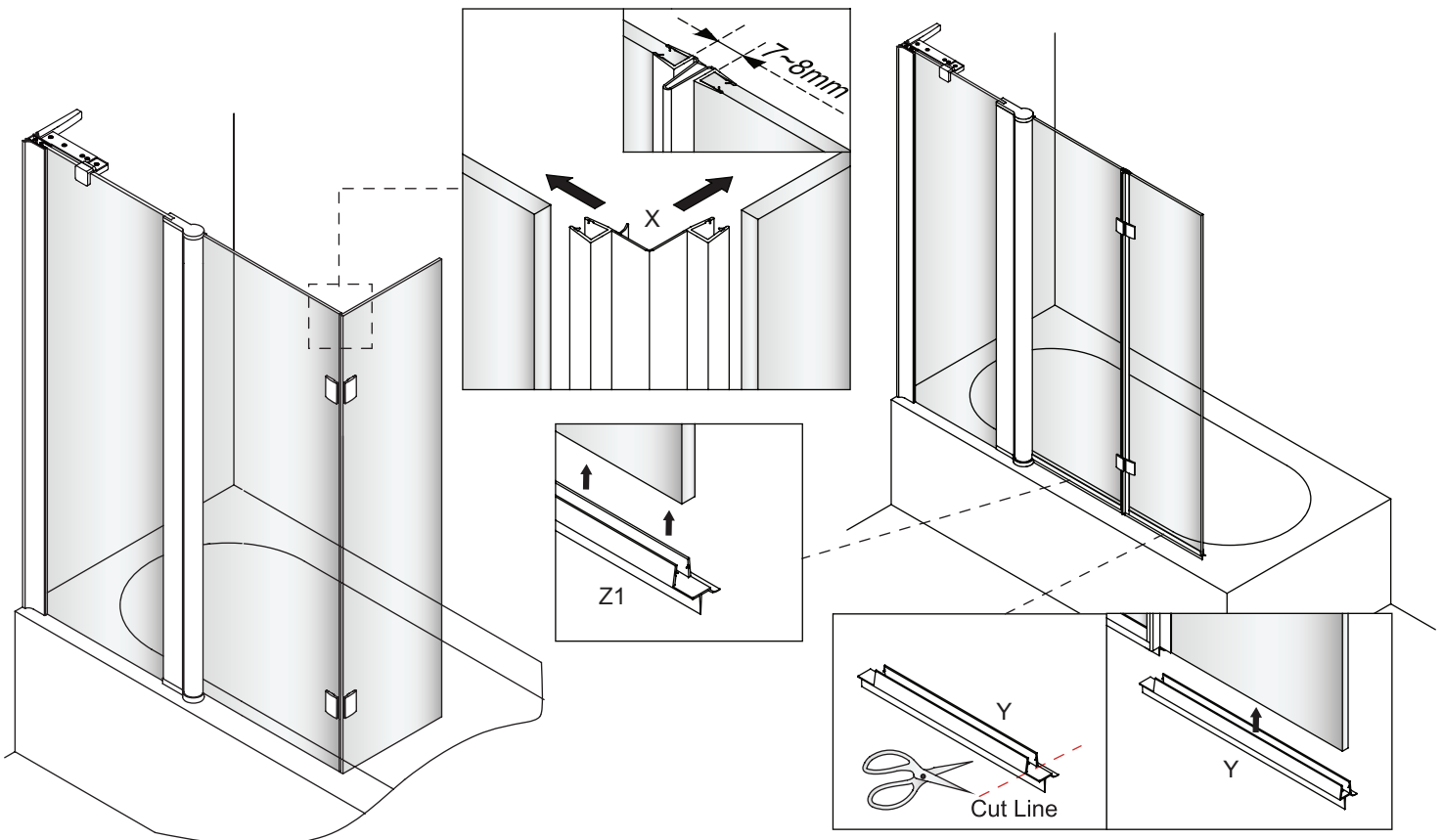
Step 5 - HINGE ASSEMBLY



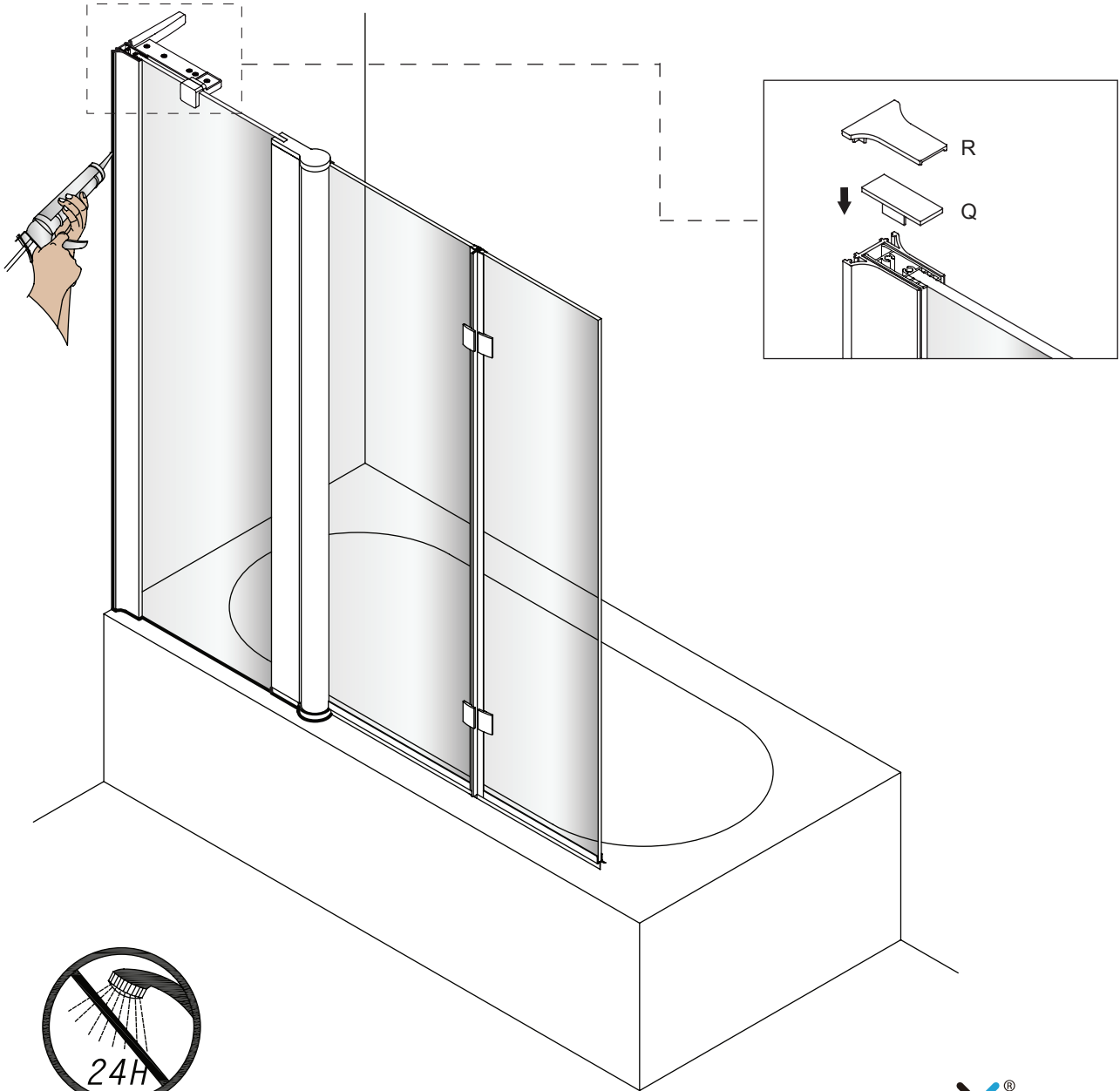
Fix Hinges to a glass door.
Support door and fix hinges to pivot door. Do not fully tighten.
Check that the door closes and that the top is aligned with the side panels. Fully tighten screws.



Step 6 - FITTING SEALS



Step 7



crosswater[®]
SHOWERING

For any further information please contact Crosswater
Phone number, 0345 873 8840
Website, crosswater.co.uk
Email address, sales@crosswater.co.uk
The manufacturer reserves the right to make technical
modifications without prior notice.