

# INSTALLATION INSTRUCTIONS

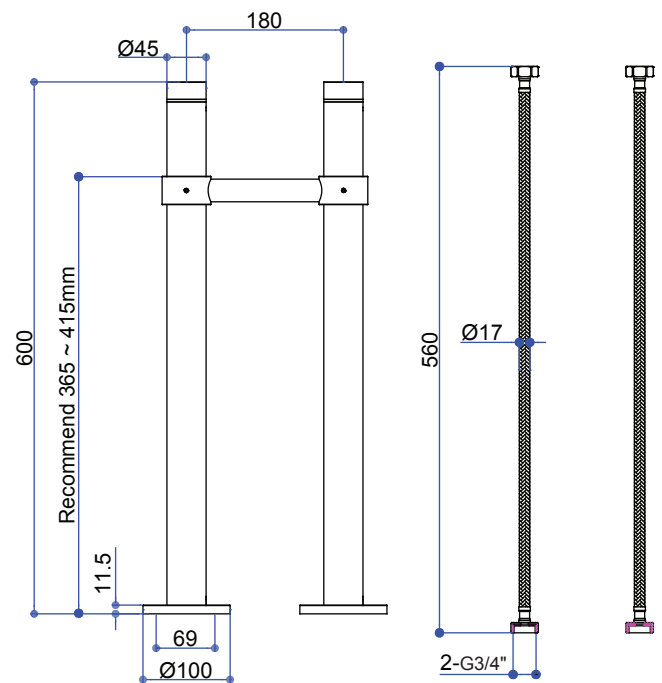
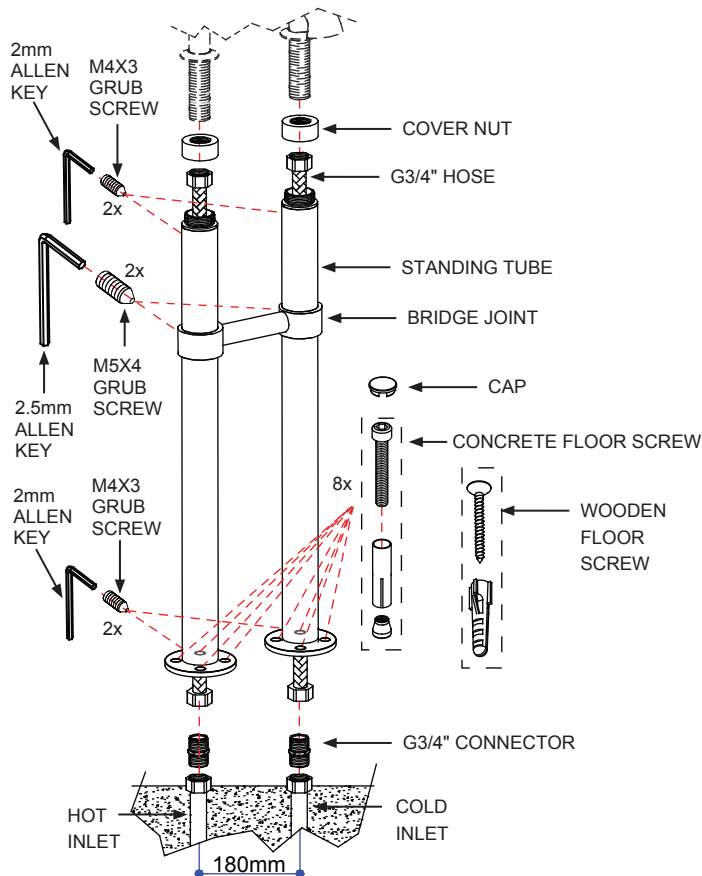
## Crystal Shrouds - W7

### Important

- We recommend that this product is installed by a qualified professional contractor. Such as a plumber who is certified by NVQ (National Vocational Qualification) or SNVQ (Scottish National Vocational Qualification) Level 3.
- Please check this product immediately to ensure that it has not been damaged and is complete. Before installation, please make sure this product is the correct model and you have all the parts required for installation and using.
- Please read these instructions carefully and keep it for future reference.

### Installation

### Dimension



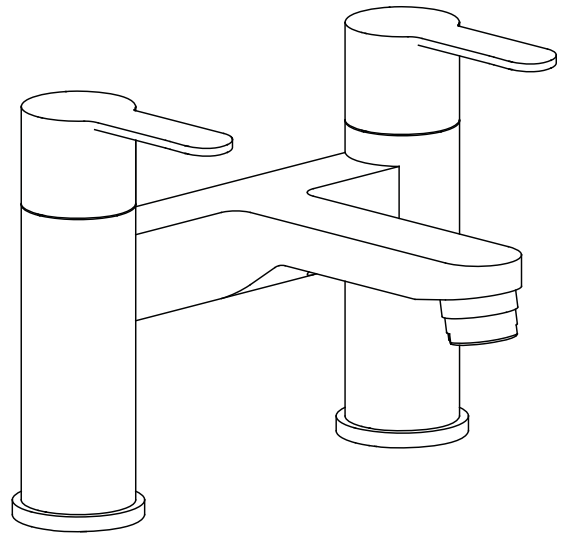
1. Prior to installation, please flush the water system to ensure that no metal swarf, solder and other impurities can enter the product
2. Turn off the water supply at the isolating valves if fitted or the main stop cock prior to commencing work
3. Build up two water inlet pipes from the ground at 180mm centres. From the front view, hot water on the left and cold on the right.
4. Fix and tighten two G3/4" connectors onto the ends of the water inlet pipes  
Note: Horizontal feed pipe under floor must have a degree of freedom to move up and down.
5. Place the Shrouds over the water inlet pipes and mark on the floor the location of the fixing holes on the base plate. Drill and insert raw plugs where necessary
6. Remove the washer and fixing nut supplied with the taps and discard them
7. Remove the Cover Nuts from the shrouds by loosening the M4 x 3mm grub screws
8. Screw the Cover Nuts and flexi hoses onto the tap tails
9. Slide the Bridge Joint onto the Shrouds and tighten in place with the M5 x 4mm grub screws
10. Slide the flexi hoses through the shrouds and fix the Cover Nuts on place with the M4 x 3mm grub screws, ensuring that the taps are facing in the right direction
11. Connect the Flexi hoses to the G3/4" connectors
12. Push the Shrouds down into position and secure to the floor with the fixings provided (2 types of fixings supplied – one for brick/ breezeblock and the other for a wooden floor. Finally put on the caps .

### Maintenance

We do NOT recommend you use any household cleaners to clean the product. Because these cleaners change substance or formula too frequently. The product should be always cleaned only with soapy water and rinsed with clean water and dried with a soft cloth.

# INSTALLATION INSTRUCTIONS

## Crystal bath filler CTA6



### Important

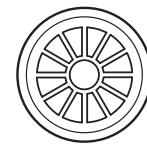
- We recommend that this product is installed by a qualified professional contractor. Such as a plumber who is certified by NVQ (National Vocational Qualification) or SNVQ (Scottish National Vocational Qualification) Level 3.
- Please check this product immediately to ensure that it has not been damaged and is complete. Before installation, please make sure this product is the correct model and you have all the parts required for installation and using.
- All the taps should be supplied with hot and cold water at balanced pressure. If not, then the mixing function will not work correctly. It is necessary to fit non-return valves on both hot and cold feeds pipe. These are not supplied.
- Please flush the water system to ensure that no metal swarf, solder, and other impurities can enter the taps.
- Turn off water supply before commencing work, this should be done at the isolating valves of inlet feeds if fitted or main stopcock.
- Please read these instructions carefully and keep it for future reference.

### Working pressure

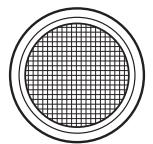
The tap is suitable for both high and low pressure installation. To ensure that the tap works well under low water pressure, the cold water storage tank must be at least 2 meters above the installed position. The maximum static pressure is 10 bar, and operating water pressure is 5 bar. Where the operating water pressure above 5 bar, then a pressure reducing valve must be fitted.

### Straightener and aerator (alternative option)

Taps are all fitted with a flow straightener for use in low pressure installations. An aerator is supplied in the box, and is an option that can be used in high pressure installations. These can be interchanged by unscrewing the part, and replacing with the alternate one. During the process do not loose the washer, between the parts.



FLOW STRAIGHTENER

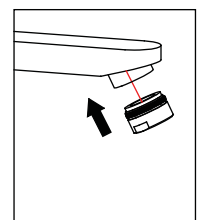
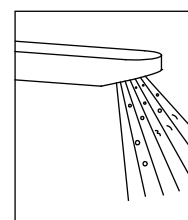
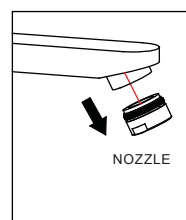


AERATOR

### Cleaning

Before use: Unscrew the filter and allow the water to run freely for 5 minutes. Then screw the filter back in place.

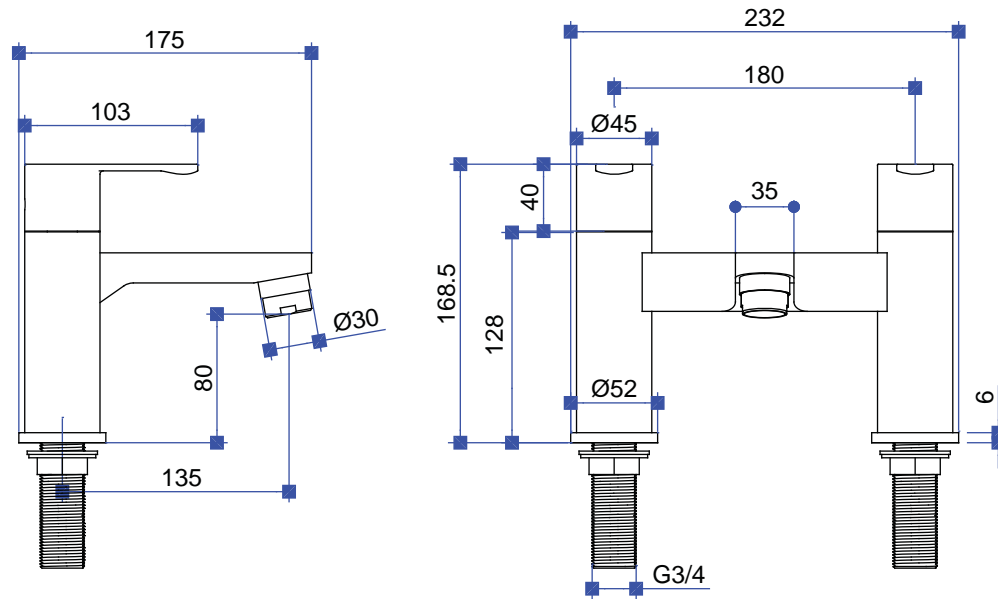
Periodically: Unscrew the nozzle and remove. Rinse it with running water until any loose debris is cleared. Then replace the nozzle and tighten.



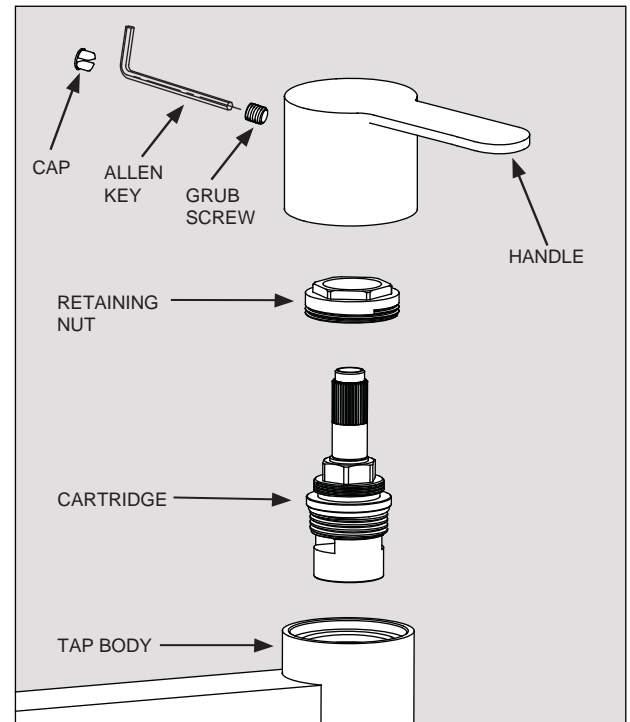
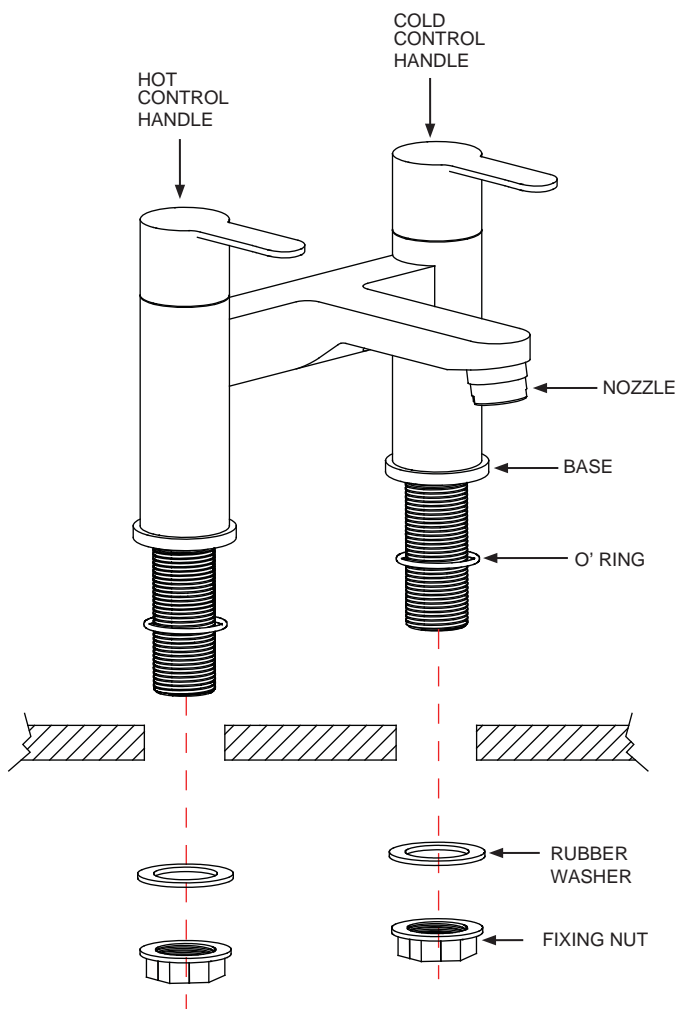
### Maintenance

We do NOT recommend you use any household cleaners to clean the product. Because these cleaners change substance or formula too frequently. The product should be always cleaned only with soapy water and rinsed with clean water and dried with a soft cloth.

## Dimension



## Installation



### To remove the cartridge.

**⚠ First shut off the water supply to the tap.**

- 1: Pull out the cap from the handle.
- 2: Loosen the grub screw in handle, but do not remove it.
- 3: Take off the handle.
- 4: Using a correct size spanner unscrew the retaining nut.
- 5: Unscrew the cartridge and wash it with clean running water.
- 6: Dry and lightly grease the seals (only use silicone grease)
- 7: Replace them in turn.

- 1: Remove the rubber washers and fixing nuts from the tails of the tap.
- 2: Insert the tails in two tap holes on bath.
- 3: Tighten the rubber washer & the fixing nut from the under-side of the bath.
- 4: Connect the water supply pipe to the tails of tap with the hot water on the left and cold water on the right.