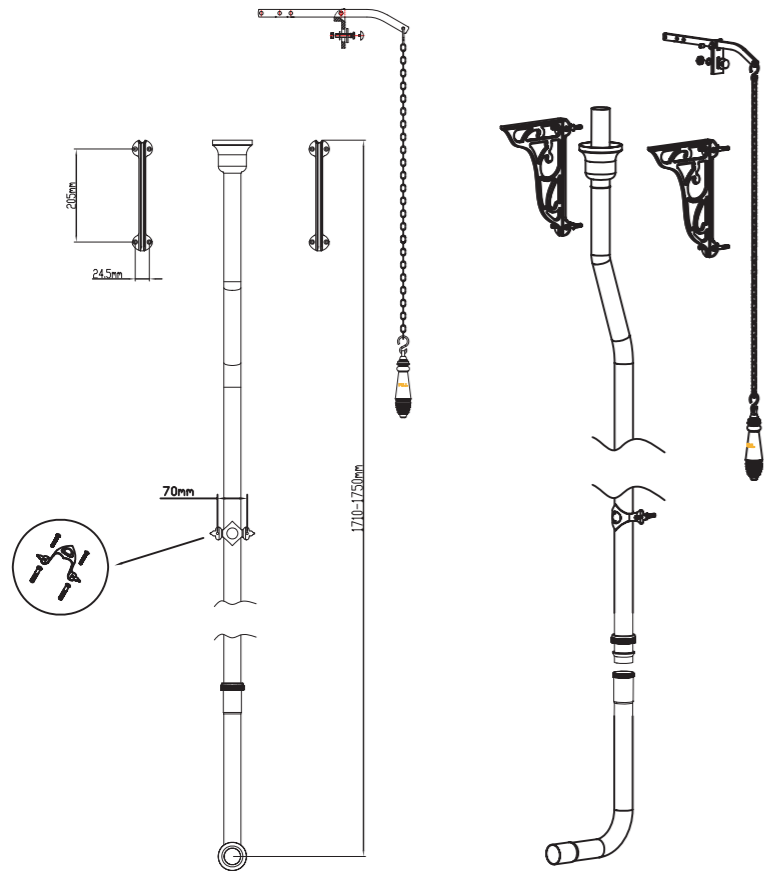


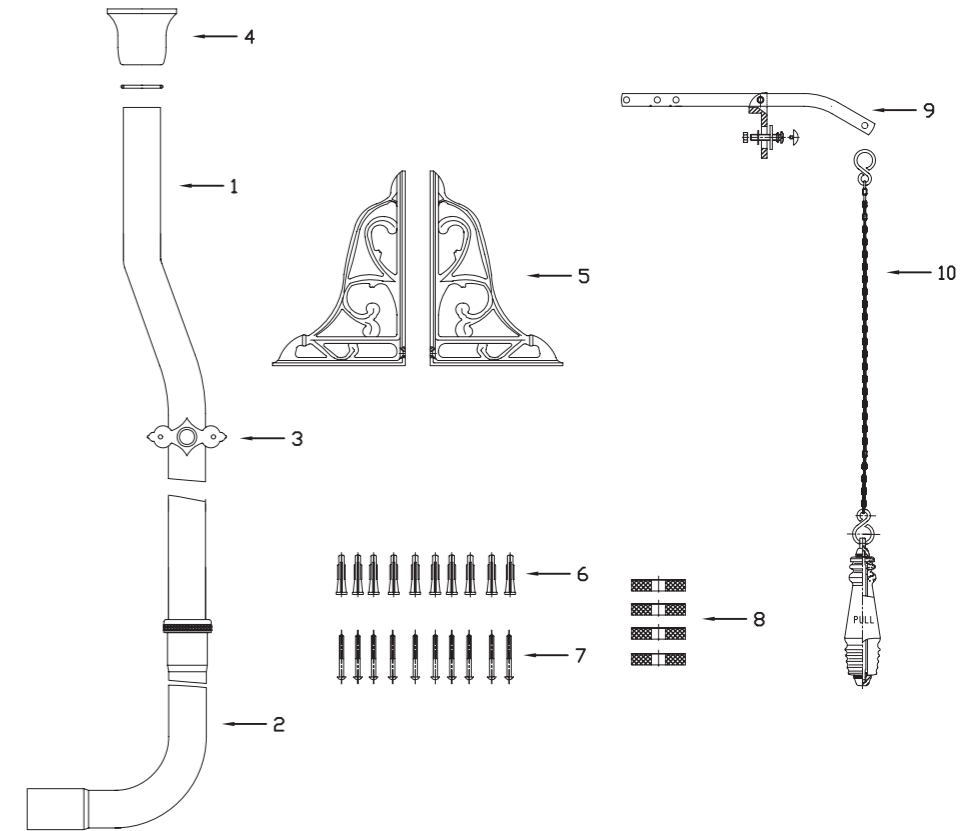
Installation instructions



Thank you for purchasing this Victorian Plumbing product.
Please follow these care instructions to ensure your product retains its high quality finish
- and retain this leaflet for future reference.



1. Identify all components are present prior to installation
2. Measure the reserved size
3. Install the pannel holder (5) in the book-position and make in the position of screw hole
4. Drill the hole by using electric drilling machine and put the plastic screw pipe(6) into the hole
5. Put the pannel holder (5) on the hole and plastic screw (7) installed by srew tightly
6. Install the drain pipe(1) into the type of "L" pipe and screw tightly
7. Put the drain pipe(1) into the hole of tank, locking nut then place whit rose
8. Put the pipe strap(3) in the book-position and make a sign in the position of the screw hole
9. Drill the hole by using electric drilling machine and put the plastic screw pipe(6) into the hole
10. Put the pipe strap (3) on the hole and plastic screw (7) installed by srew tightly
11. Put the base and square rod(9) into the side hold of tank and screw tightly
12. Hang up the ceramic handle
13. Please check whether the water leakage after installation is finisher



- | | |
|------------------|---------------------------|
| 1. Drain-pipe | 6. Screw |
| 2. "L" pipe | 7. Plastic screw pipe |
| 3. Pipe strap | 8. Rubber washer |
| 4. Rose | 9. Base holder |
| 5. Pannel holder | 10. Chain, ceramic handle |

Victorian Plumbing

Diamond House. 41, Stephenson Way. Formby Business Park Formby. England. L37 8EG
Tel: 0044 800 862 0878 Website: www.victorianplumbing.co.uk