

Hideaway cisterns are designed for direct fitment to a flat wall by means of 4 - No. 8 x 1.5 inch long round-head plated screws and suitable wall plugs (not supplied). If a wooden batten is necessary, it must be long enough to accommodate all four fixing screws.

CONNECTIONS

Water pipes must be carefully aligned before connection to ensure that undue stress is not placed on the cistern after connection.

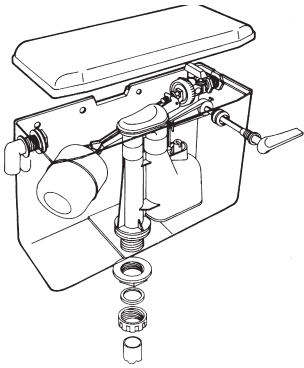
WATER PRESSURE

The float valve is supplied with a high pressure seating fitted. A low pressure seating is also supplied in the parts package. This may be installed by dismantling the float valve.

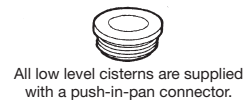
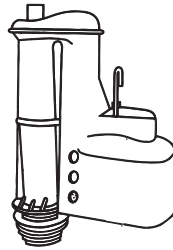
IMPORTANT

Final commissioning must be made before enclosing the cistern. Easy access must be maintained at all times for maintenance. Commissioning must include checks for water tightness and correct function of equipment. Wirquin Ltd. will not be held responsible for any losses arising from failure to comply with this notice.

LOW LEVEL SIDE FEED & OVERFLOW



Where applicable:
Lid fix screw is self tapping into siphon boss.



All low level cisterns are supplied with a push-in-pan connector.

FOR LOW LEVEL CISTERNS:

Decide whether right or left-hand feed and work out position on wall. Fix badge over unused hole on front of cistern.

Where cistern is of internal overflow type, use supplied blanking plug in place of overflow components.

CONVERTIBLE SIPHON - 6 ltr/7 ltr/9 ltr

NEW INSTALLATION CISTERN + W.C. PAN

This cistern is set to flush 6 litres (nominal) to meet The Water Regulations for W.C.'s flushing 6 litres maximum (for 6 litre flush, the flush volume selector covers the two lower positions).

REPLACEMENT CISTERN CONNECTED TO W.C. PAN INSTALLED AFTER JANUARY 1993 & BEFORE JANUARY 2000

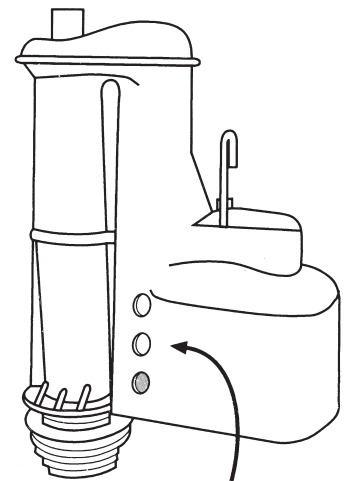
Should a 7 litre flush be required, snap flush volume selector into two pieces. Close the upper hole using one of the pieces.

REPLACEMENT CISTERN CONNECTED TO W.C. PAN INSTALLED BEFORE JANUARY 1993

Should a 9 litre flush be required, the two upper positions in the siphon chamber should be closed by pressing the flush volume selector into position.

DUAL FLUSH SIPHON OPERATION ONLY

- Full flush - hold lever down until flush has finished.
- Part flush - flush and release the lever.



Press flush volume selector firmly into position to close the required holes.

FLUSH VOLUME SELECTOR



CODE NO.	CA49000H
ISSUE NO.	1
DATE	1/11/2014

NOTE: As a guide for positioning the cistern, the vertical length of the flushpipe should be 1½ times the horizontal length.

LEVER CONTROLLED

When using the Lever Kit, the hole in the front wall should be directly in front of the lever hole in the cistern. Diagrams A and B.

Measure the distance from the finished face of the wall to the centre line of the fitted cistern plus 25mm (1"). Cut the operating rod to this dimension.

IMPORTANT: Screw plastic outer tube to wall plate before cutting to 41mm (1⅝") shorter than the operating rod. Diagrams A and B.

The control can now be fitted, ensuring all washers and nuts are positioned according to the diagram.

When correctly adjusted, at rest the levers should be level or slightly above level and resting against the upper stop on the back plate. The siphon plunger should also be fully at rest in this position. When correctly adjusted to give a full siphon stroke, tighten all nuts and recheck the operation.

DIAGRAM TO SHOW BACK WALL FIXING FOR STANDARD HIDEAWAY

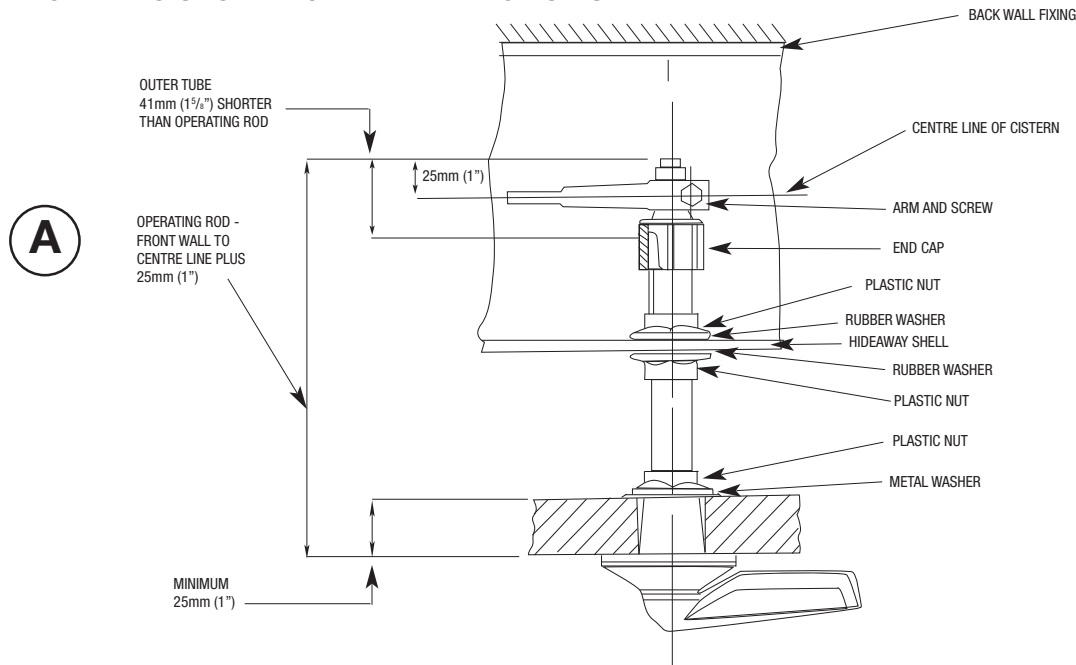


DIAGRAM TO SHOW FRONT WALL FIXING FOR STANDARD HIDEAWAY SHELL

