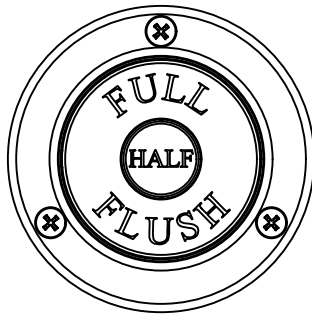
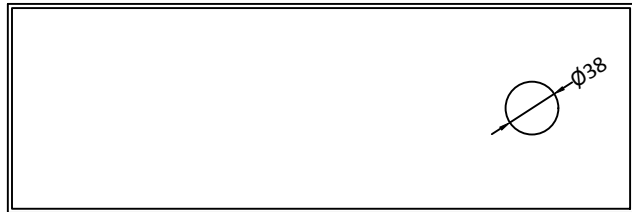


GENERAL FITTING GUIDE

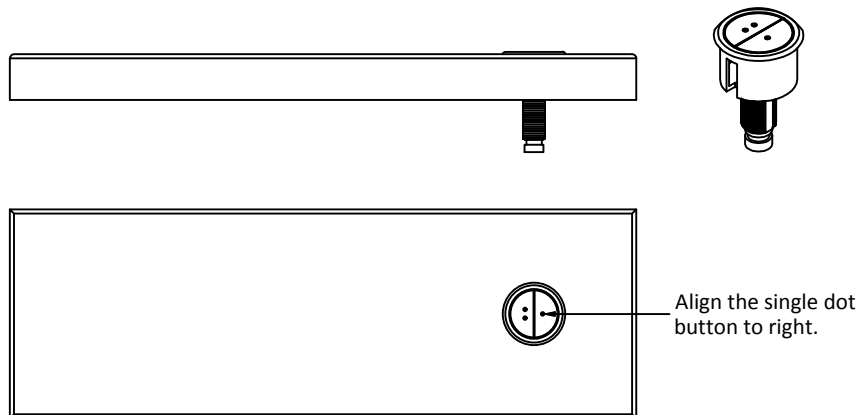
TRADITIONAL PUSH BUTTON



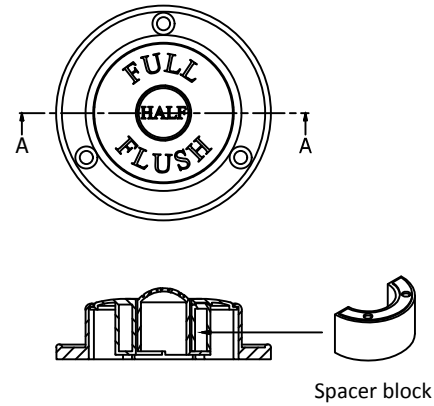
1. The push button can be positioned either Left or Right. Using a hole saw, cut a 38mm diameter hole into the surface you want the button (Fig 1 shows push button on the right).



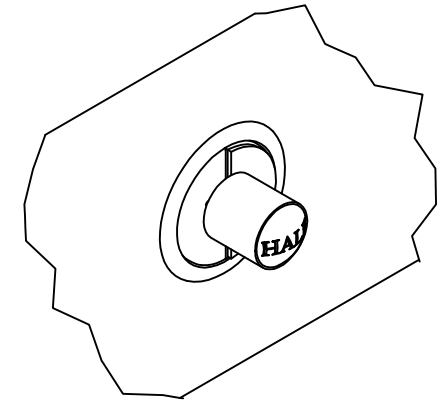
2. Insert base button into hole and align the single dot button to the right hand side.



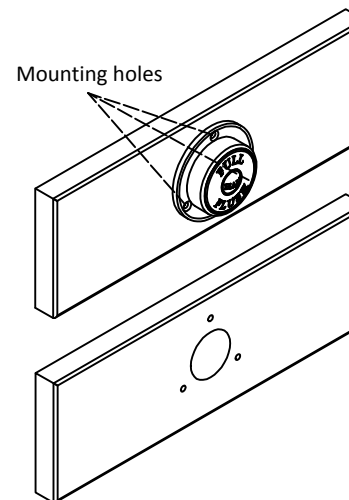
3. Remove the spacer block from the push button, this is not required.



4. Using silicone adhesive or double sided tape, stick the 'half' button onto the single dot button as shown. This aids alignment in the next steps.



5. Align the rest of the button on top and press both buttons to test if they compress fully. Hold the large button fully compressed and mark the centre of the 3 mounting holes.



6. Attach the button using appropriate screws for the base material.

