

LED ILLUMINATED ALUMINIUM CABINETS



Please read these instructions carefully before starting installation and keep in a safe place for future reference

Check the contents of the pack carefully before installation. Responsibility will not be held by Crosswater for any de-fit / re-fit costs where faulty product has been fitted. If any fault is found with materials or workmanship, it must be reported immediately to the manufacturer. Remedial action will be taken, based on information received, on condition that: 1. Full details are supplied to the manufacturer; 2. The product has not been modified or tampered with; 3. The manufacturer is informed of any damage/shortages prior to installation. 4. The product has not been installed, or attempts made to install. We do not accept responsibility for any problems that may occur through incorrect installation. ENSURE the room is well heated and ventilated.

Before drilling ensure there are no hidden cables or pipes(water, gas or electrical) behind hanging points. Always wear suitable eye protection when drilling. Ensure the wall surface is able to take the weight of the complete product.

It is important to install electric fittings in the correct bathroom zone i.e. the zone referred to in the IP rating of the element. Reference should be made to the latest edition of the IET Wiring Regulations or a qualified electrician member of NICEIC/IET.

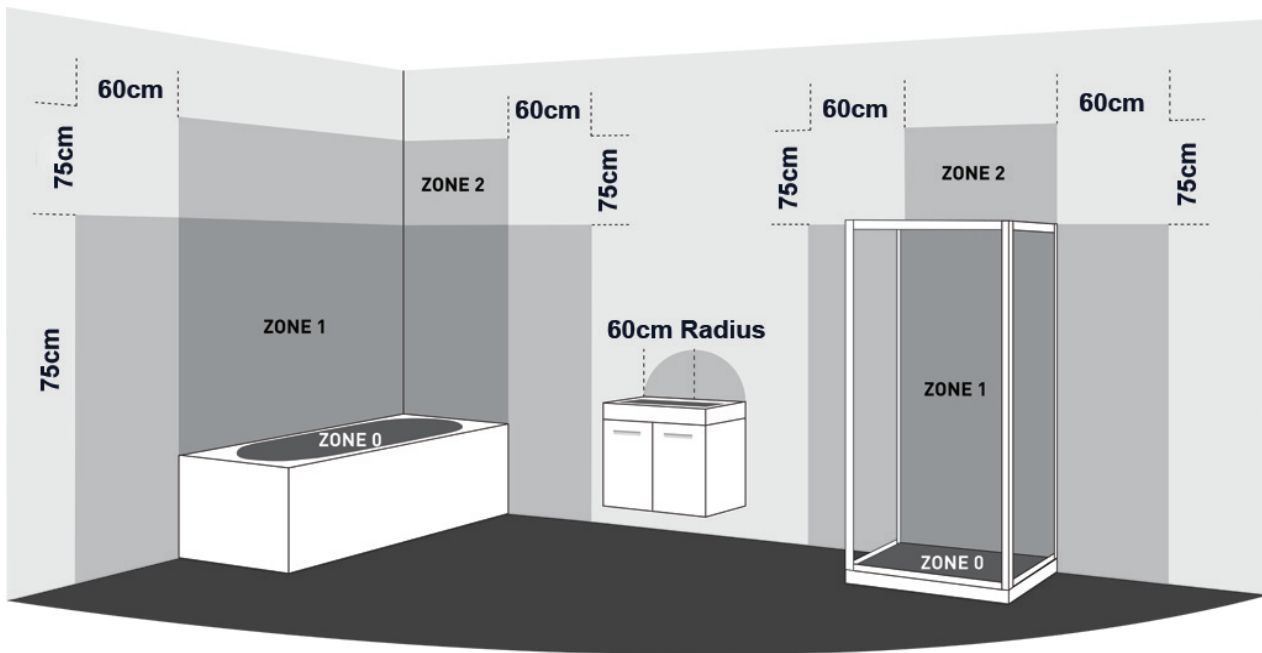
ZONE 0 is inside the bath or shower tray itself. Any appliance used in this zone must be rated at least IP67 which is total immersion proof.

ZONE 1 is the area above the bath or shower tray to a height of 2.25m from the floor. In this zone a minimum rating of IPX4 Splash-proof is required and elements must also be protected by a 30mA residual current device (RCD) to protect the circuit.

The electrical connection to the power supply for these appliances must be in Zones 2/3 of the bathroom in compliance with BS 7671:2008(2011) - IET Wiring Regulations.

ZONE 2 is an area stretching 0.6m outside the perimeter of the bath and to a height of 2.25m from the floor. In this zone an IP rating of at least IP44 is required. In addition it is good practice to consider the area around a washbasin, within a 60cm radius of any tap to be considered as zone 2.

Failure to have electrical products installed and certificated by a qualified electrical engineer will invalidate any product guarantee. For full details reference should be made to the latest copy of the IET wiring regulations and all applicable British Standard and European norm specifications.

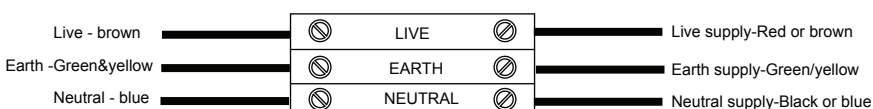


IMPORTANT ADVICE & SAFETY



This product is IP44 rated and suitable for installation with zone 2 and 3 as above. The product complies with electrical safety standards BS EN 60598-1:2008+A11: 2009 and BS EN 60598-2-1:1989

WIRING DIAGRAM

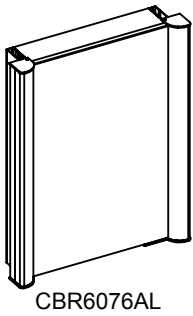


This product is Class I rated and **MUST** be earthed.
Supply 240v/50hZ maximum

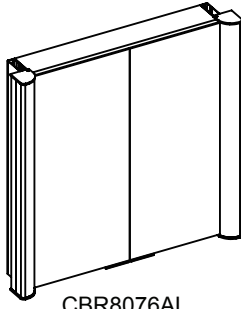


INSTALLATION INSTRUCTIONS

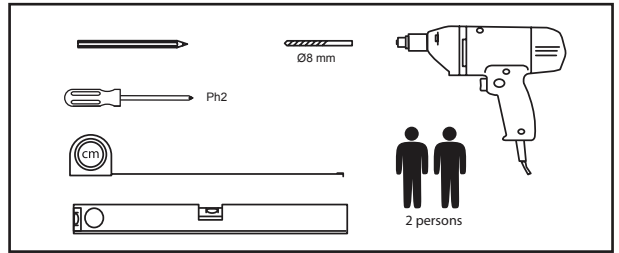
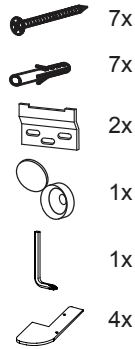
These cabinets can be fitted into a partition or solid wall, or hung on wall surface. Before installing ensure you take note of measurements of recessed area or mounting points detailed below. We recommend all walls are fully tiled before installation.



CBR6076AL



CBR8076AL

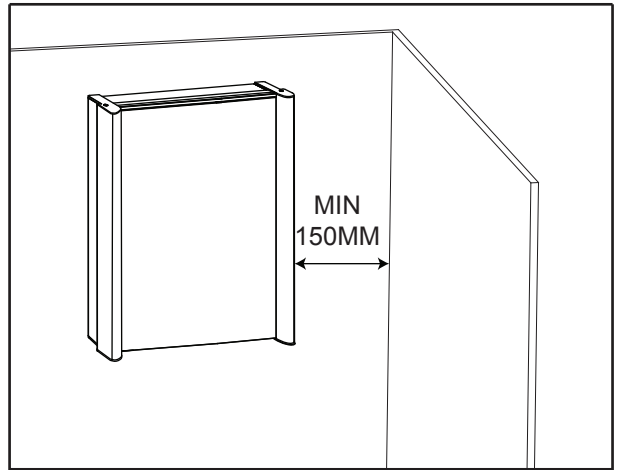


IMPORTANT

The product must be installed with a minimum distance of 150mm between the infrared sensor and an adjacent wall surface, countertop or other object to ensure correct function of the sensor.

LED Type

Model	Led Parameter	Led Driver
CBR6076AL	87x2 Leds / 0.06W / 6400K	15W
CBR8076AL	87x2 Leds / 0.06W / 6400K	15W



REPLACEMENT OF LED TUBES

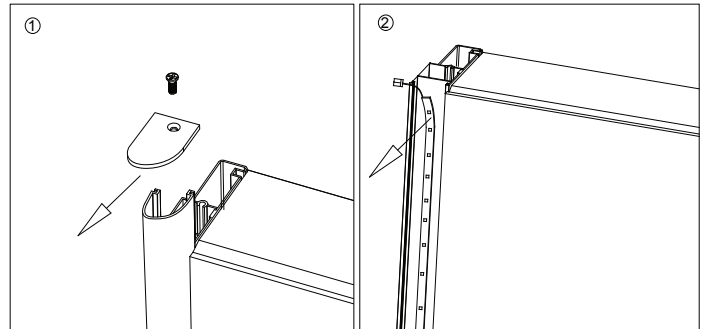
WARNING - turn off at consumer unit or fuse board before accessing wiring. When replacing an LED strip please follow the steps illustrated below.

LIGHTS

2x9W LED STRIPS

INSTALLATION TIP:

You may need to remove the door / doors to make it easier to fit. This can be done by unclipping the hinges. (There is a release catch at the back of the hinge). **DO NOT FIT SHELVES AT THIS STAGE.**

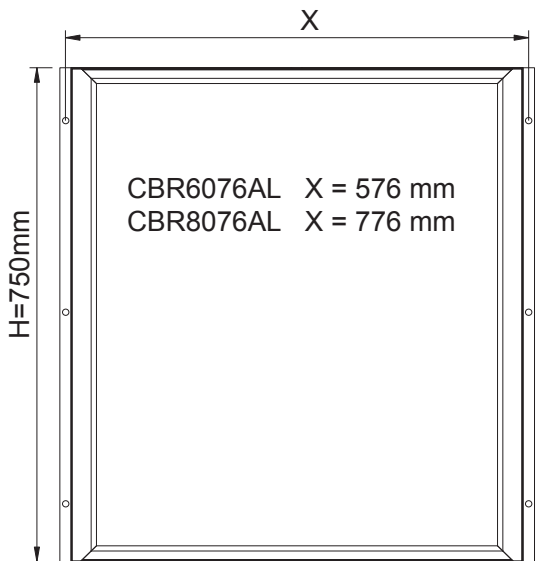


Recess Installation

The cabinet is supplied with top and bottom chrome covers for recessed installation as standard. See Page 3 for surface mounted installation.

Before installation, ensure the construction of the recessed area is suitable to allow the cabinet to fit securely into the recess. A timber frame is recommended for partition or solid wall to allow a good flat surface for the cabinet to be fitted to.

The cabinet should be placed in a suitable location, considering zonal regulations. Ensure that the domestic electrical mains supply is within reach of the electrical connection point of the cabinet. Check that there are no obstructions near by that could obstruct door opening.

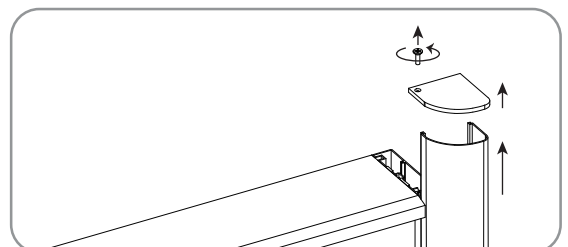


STEP 1

This product can be fitted recessed into a partition or solid wall, Before installing ensure you take note of measurements of recessed area.

STEP 2

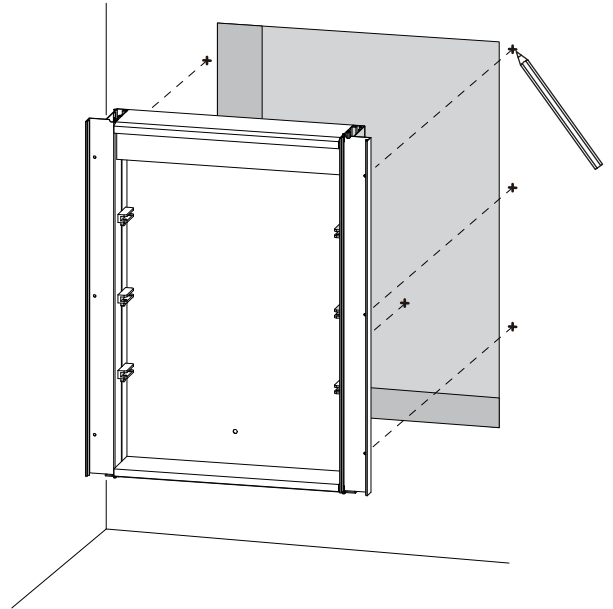
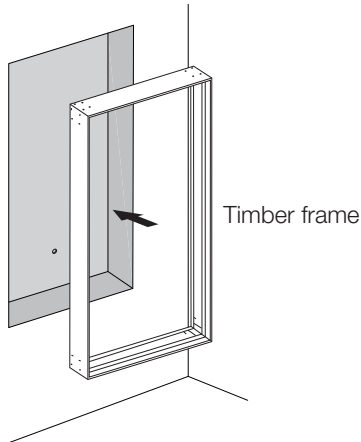
Remove top cover caps using a suitable screw driver. Then carefully remove the perspex diffusers. Keep safely to one side.



STEP 3

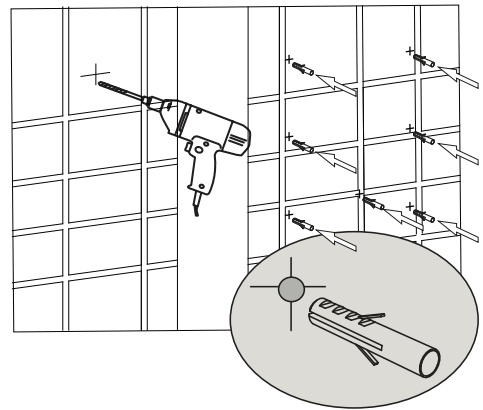
Prepare the recessed area in the wall making sure that there are no obstructions and the electrical feed is correct located.

Position the cabinet in the recess, and carefully mark the positions of the fixing holes for the cabinet using a soft pencil. Then remove from wall.



STEP 4

Before drilling, ensure there are no hidden cables or pipes behind the mounting points. Drill the required holes in the marked positions. If drilling through tile, use a ceramic drill bit. Insert the wall plugs level with the surface of the wall. If fitting to a tiled surface, wall plugs should be inserted below the tile surface to avoid cracking. NB. For plasterboard walls, specialist fixings should be purchased, available from any DIY or hardware store.



STEP 5

Remove the cover from the electrical connection box. Using a suitable terminal screwdriver make secure connections as follows:

Colour Coding:

L - Live = Brown

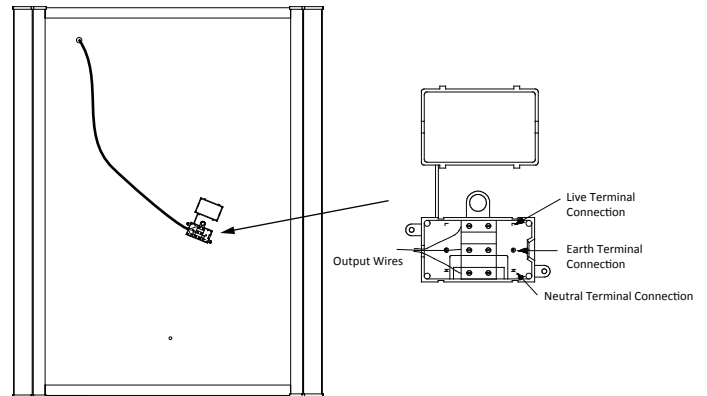
N - Neutral = Blue

Earth = Green & Yellow

THIS PRODUCT IS MANUFACTURED TO CLASS I CATEGORY AND MUST HAVE AN EARTH CONNECTION



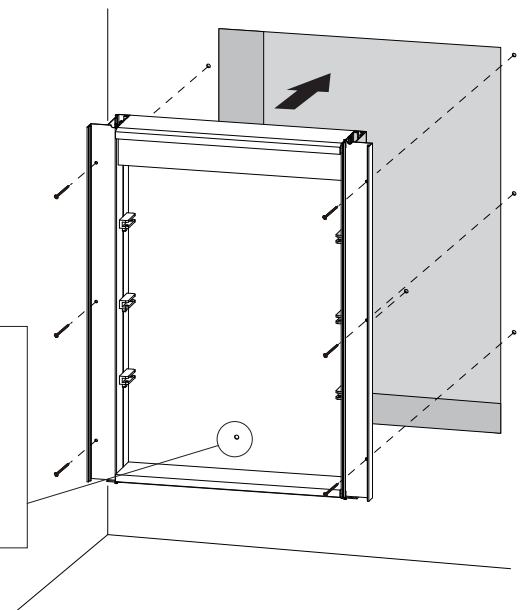
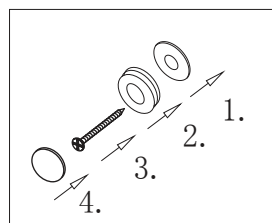
Reconnect the mains electrical supply and test before securing the cabinet. Once tested move to Step 6 below.



STEP 6

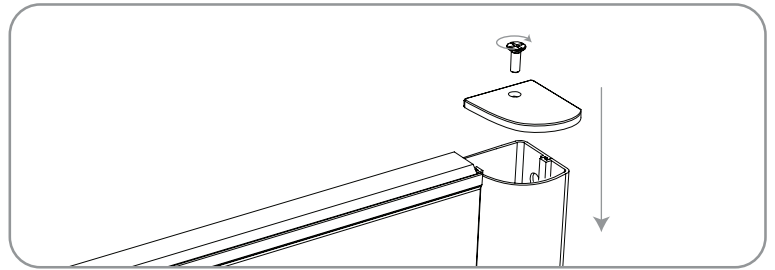
Carefully insert cabinet into prepared recess and using a suitable screwdriver, screw cabinet securely onto the wall surface.

Please see page 6 for changing door hinging.



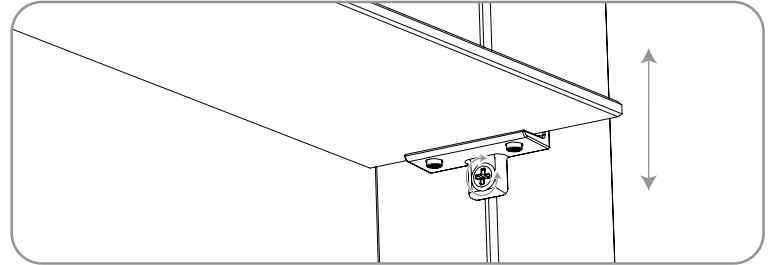
STEP 7

Replace perspex diffusers and top and bottom covers



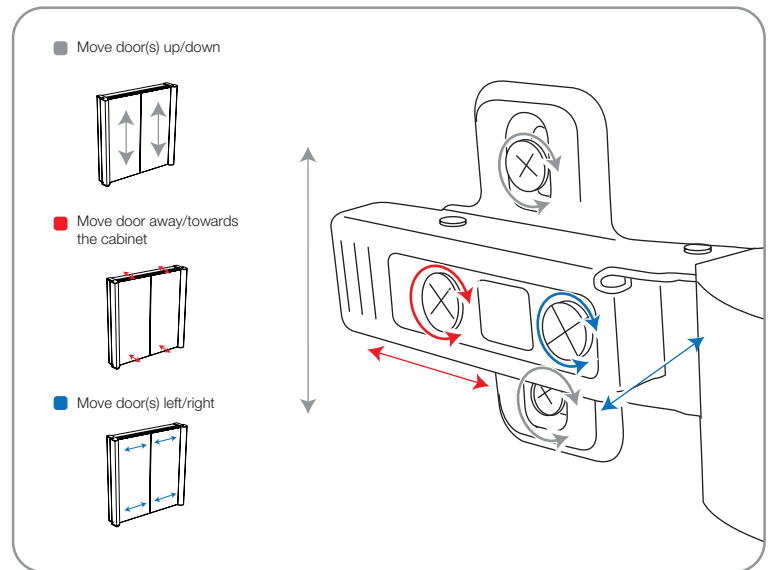
STEP 8

Starting with the top shelf, insert the shelf supports in the desired position, ensure level using a spirit level and tighten the shelf securing screws using the Allen key provided. Follow procedure for remaining shelves.



STEP 9

Door(s) can be adjusted as required in 3 directions see right



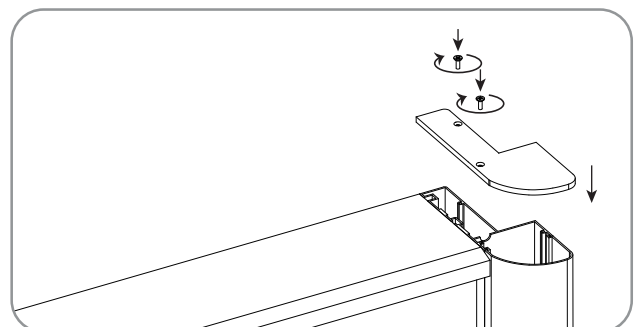
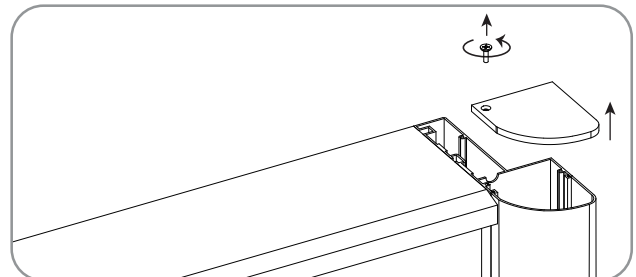
SURFACE MOUNTED INSTALLATION

Before installation, ensure the wall surface is fully finished to allow a good flat surface for the cabinet to be fitted to.

The cabinet should be placed in a suitable location, considering zonal regulations. Ensure that the domestic electrical mains supply is within reach of the electrical connection point of the cabinet. Check that there are no obstructions near by that could obstruct door opening.

STEP 1

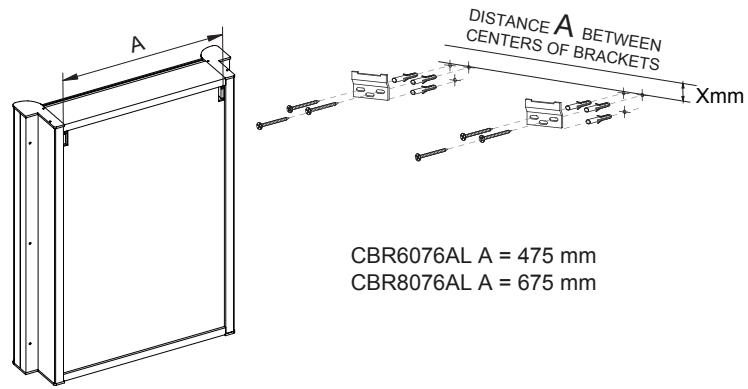
Remove the top & bottom caps that are supplied fitted to the cabinet using a suitable screw driver, and replace with the larger top & bottom caps with supplied as shown.



STEP 2

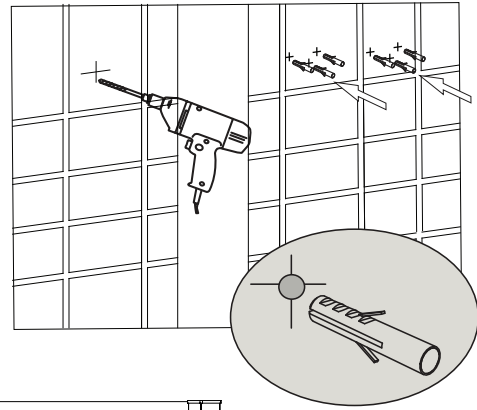
Offer the cabinet up to the desired wall location considering Zonal requirements. We recommend that the cabinet is hung at least 200mm above any washbasin/countertop. Using spirit level ensure the cabinet is level and upright. Using a soft pencil mark carefully draw a horizontal line on the wall corresponding with the top of the cabinet.

On the wall surface measure down from the pencil line the measurements detailed right and accurately mark the drilling points for the hanging brackets and lower securing point.



STEP 3

Carefully drill the required holes and insert wall plugs. Note screws and plugs supplied are suitable for solid walls only.



STEP 4

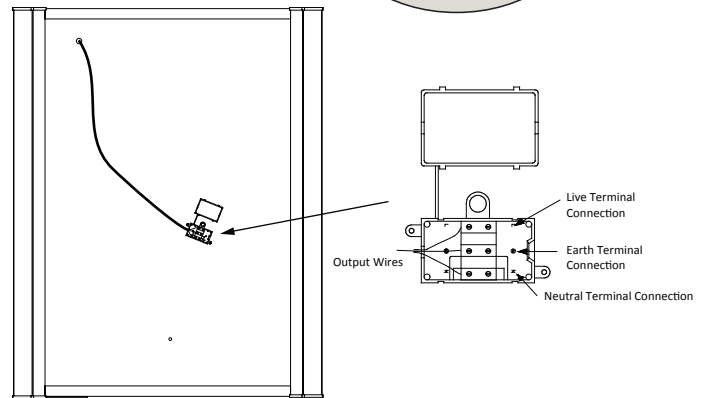
Remove the cover from the electrical connection box. Using a suitable terminal screwdriver make secure connections as follows:

Colour Coding:
L - Live = Brown
N - Neutral = Blue
Earth = Green & Yellow

THIS PRODUCT IS MANUFACTURED TO CLASS I CATEGORY AND MUST HAVE AN EARTH CONNECTION

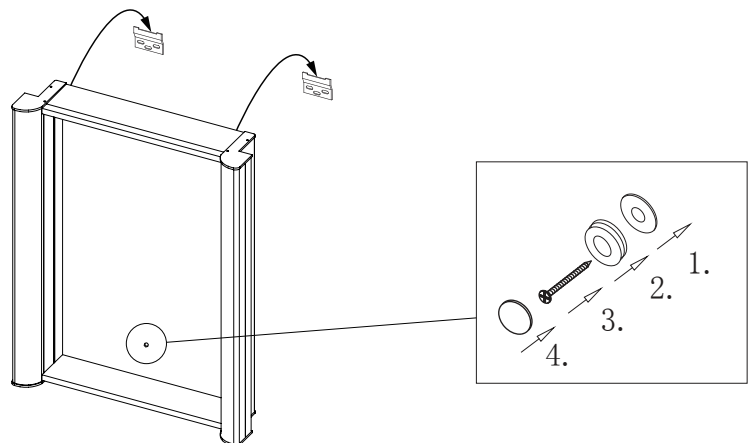


Reconnect the mains electrical supply and test before securing the cabinet. Once tested move to Step 6 below.



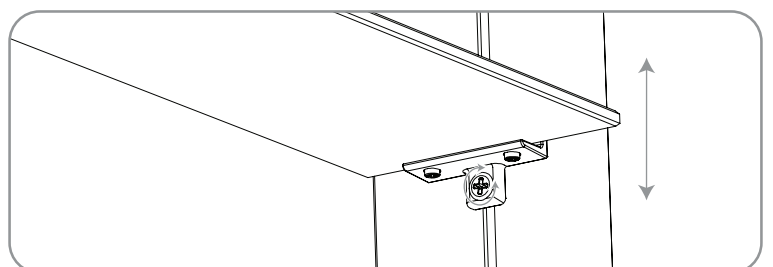
STEP 5

Lift up the cabinet onto the hanging brackets and make sure the cabinet is correctly located. Finally fit the secure the base of the cabinet into the lower fixing point carcass of the cabinet to with screw and cover cap provided see right



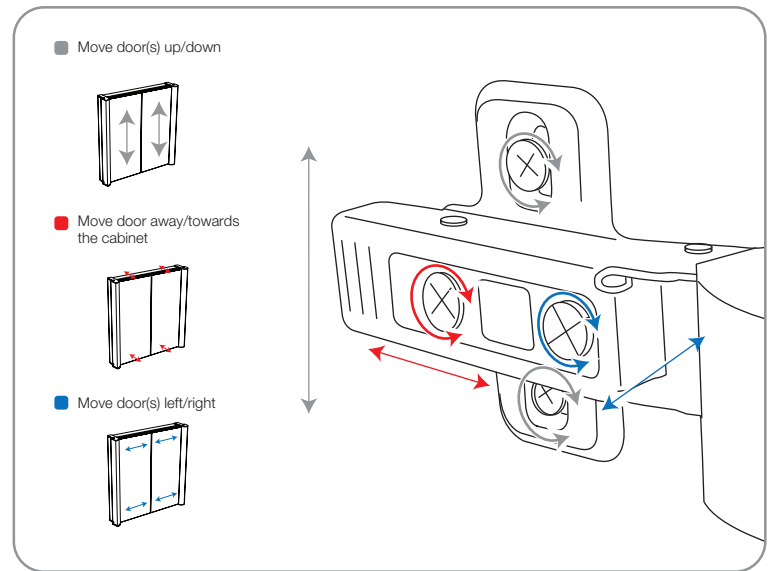
STEP 6

Starting with the top shelf, insert the shelf supports in the desired position, ensure level using a spirit level and tighten the shelf securing screws using the Allen key provided. Follow procedure for remaining shelves.



STEP 7

Door(s) can be adjusted as required in 3 directions see right



Reversible Door For single door cabinet

Changing door opening side for single door cabinet

CBR6076AL is supplied left hand hinge/right hand opening as standard

Single door cabinets can be simply switched from right to left hand opening.

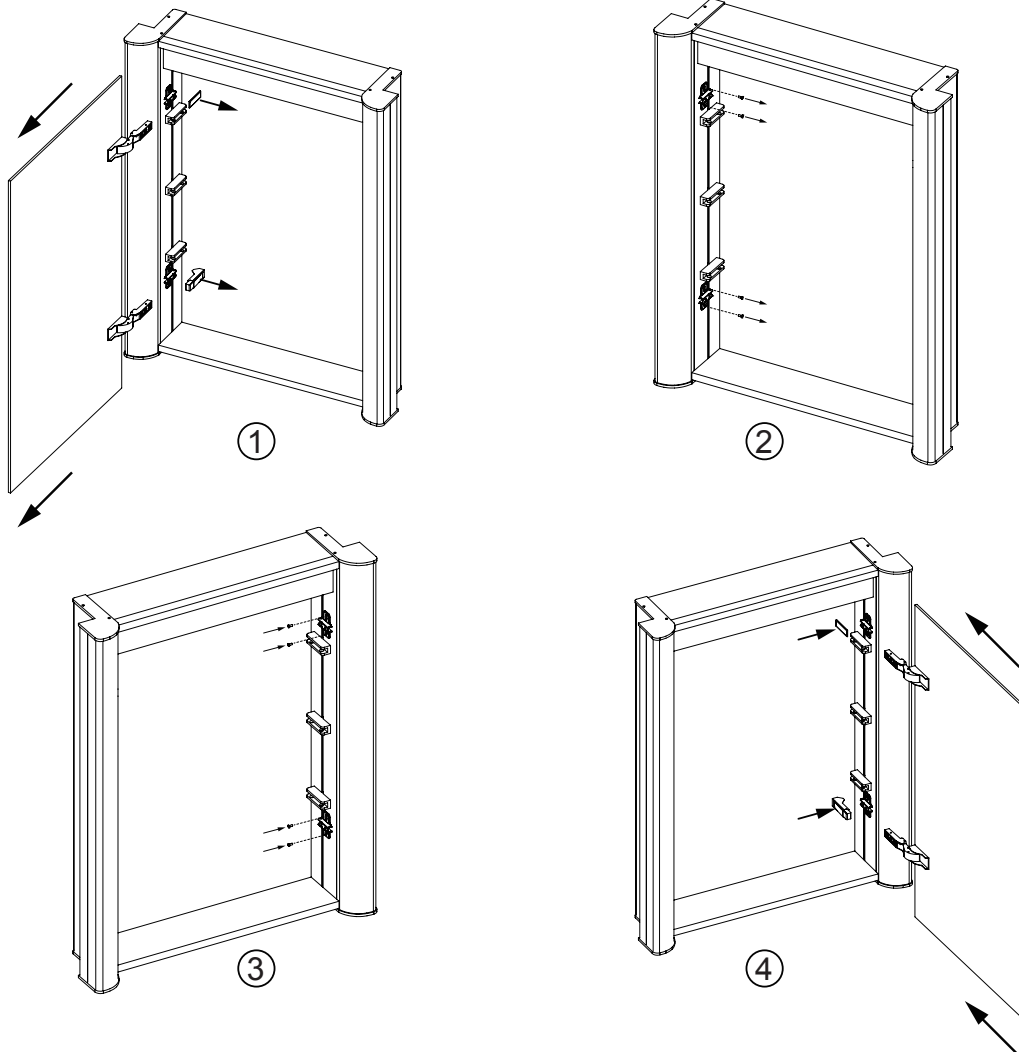
Remove the soft close buffer and pull the lever towards the center of the cabinet to release the door.

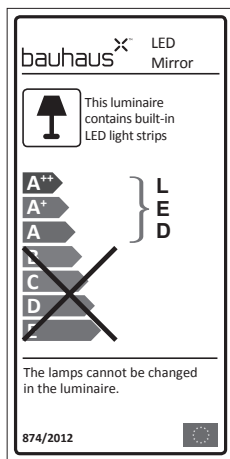
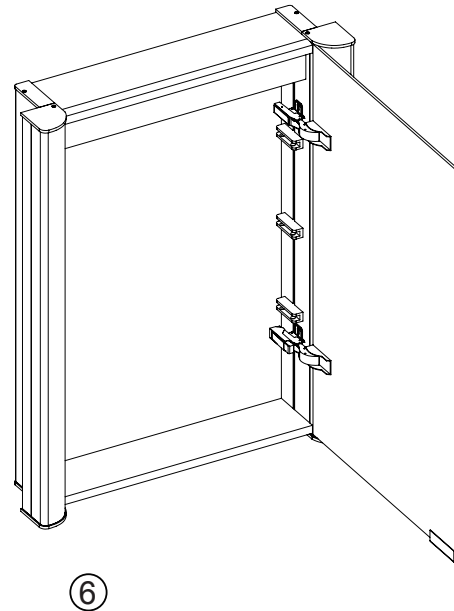
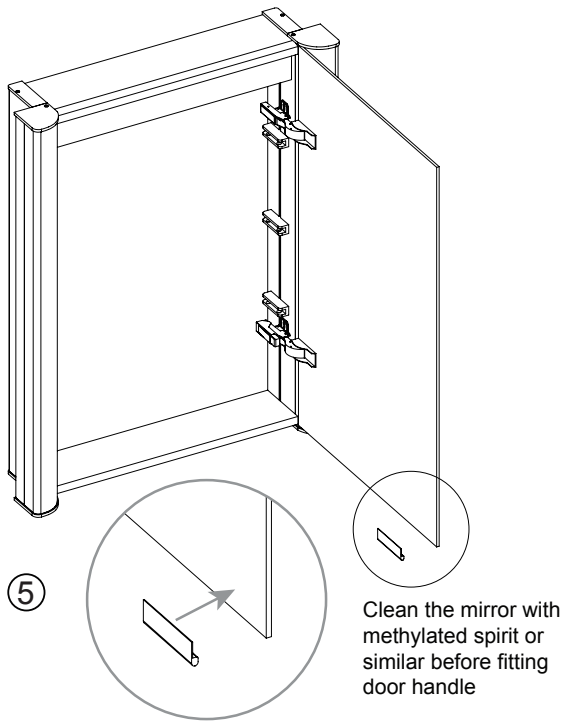
Release the hinge brackets and replace them on the right hand profile, make sure the screws are correctly tightened.

Reposition the mirror door on the hinge brackets on the right hand profile.

If the door is not aligned, please adjust the hinges as detailed on above.

Once the door is fixed, then fix the opening handle onto mirror door.





Energy label



Waste Electrical & Electronic Equipment Regulations (WEEE) requires that any electrical products showing the mark above must not be disposed of with other household or commercial waste. To prevent possible harm to the environment or human health from uncontrolled waste disposal, please separate any such product from other waste types and recycle it responsibly at your local facilities. Check with your Local Authority, Recycling Center or retailer for recycling advice.

Care and Maintenance

Do not strike/hit glass components with hard or pointed items. Do not place very hot or very cold items against or in close proximity to glass surfaces unless a suitably thick insulation material is used. Do not place hot items on or against the cabinet carcass

If the mirror door or a glass shelf becomes broken, replace immediately. For details on replacement glass and other components our contact customer services department on the number below.

Cleaning:

NEVER use products containing bleach, cleaners of a gritty or abrasive nature or so called "glass and mirror" cleaning products, that can be detrimental to the long lasting finish of the mirror.
ONLY use a clean micro fibre cloth.

For any further information please contact:

© Crosswater Copyright:

No part of this document may be reprinted or duplicated without Crosswater Holding's consent. In the interests of continued product development Crosswater Holdings reserves the right to alter specification without prior notification. E & OE.

bauhaus

For any further information please contact call us on:
0345 873 8840

Or visit our web-site at:
www.bauhaus-bathrooms.co.uk