

# SIGMA

ROPER RHODES

## Large Soap Basket CB20.02 & Large Corner Basket CB40.02 Fitting & Care Instructions

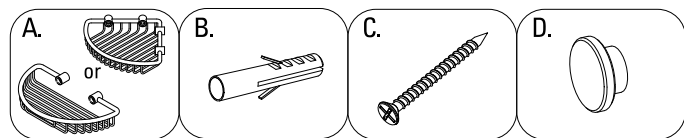
Before assembling this product please take time to read the following instructions carefully.  
If you are in any doubt please consult a qualified person.

The wall fixings supplied with this product are suitable for fixing to a solid wall only. For plasterboard use specialist wall fixings. Seek specialist advice about the suitability of fixings to be used.

### Tools Required -

Pencil  
Drill  
6mm Drill Bit  
Screwdriver  
Masking Tape  
Tape Measure  
Spirit Level

### Parts Included -



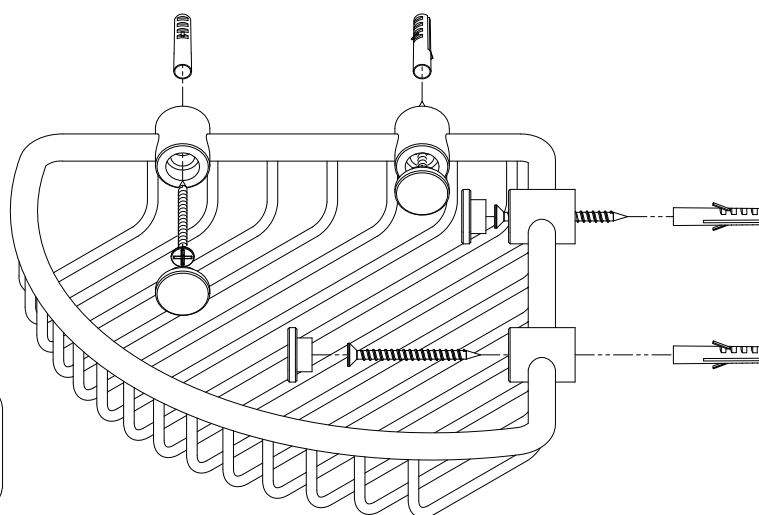
- Remove the screw cover caps (part D) and store safely.
- Position the basket in the desired location on the wall. Use a spirit level to ensure the product is level.
- Using a pencil inserted through the holes in the wall mounting bosses and mark the screw locations.
- Tip: On tiled surfaces a piece of masking tape will make marking and drilling the holes much easier.

**Caution! Before drilling check for hidden cables and pipes. Take care using power tools especially near water, the use of a residual current device (RCD) is recommended.**

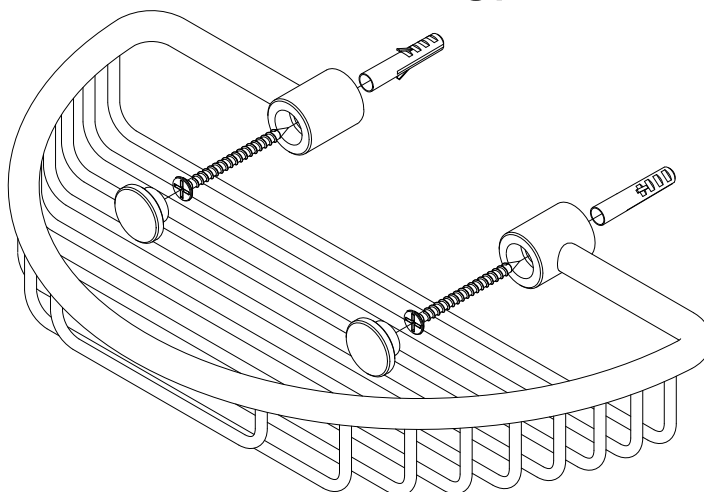
- Drill holes using a 6mm drill bit to a depth of approximately 30mm. If used remove any masking tape after drilling.
- Insert wall plugs (part B), it may be necessary to gently tap the wall plugs in using a light hammer, take care not to damage tiles.
- Fasten the basket to the wall using the screws supplied (solid walls only), ensure they are fully tight.
- Replace screw cover caps (part D).

### Cleaning -

We recommend using a soft damp cloth only. Do not use metal cleaners or other abrasive cleaning agents.



or



Should you encounter any problems with this product please contact -  
Customer Services Department  
Roper Rhodes Ltd  
Brassmill Lane Trading Estate  
Bath  
BA1 3JF

Tel: 01225 303 900  
Fax: 01225 448 877

e-mail: [sales@roperrhodes.co.uk](mailto:sales@roperrhodes.co.uk)  
web: [www.roperrhodes.co.uk](http://www.roperrhodes.co.uk)

Iss 02 Nov 2011