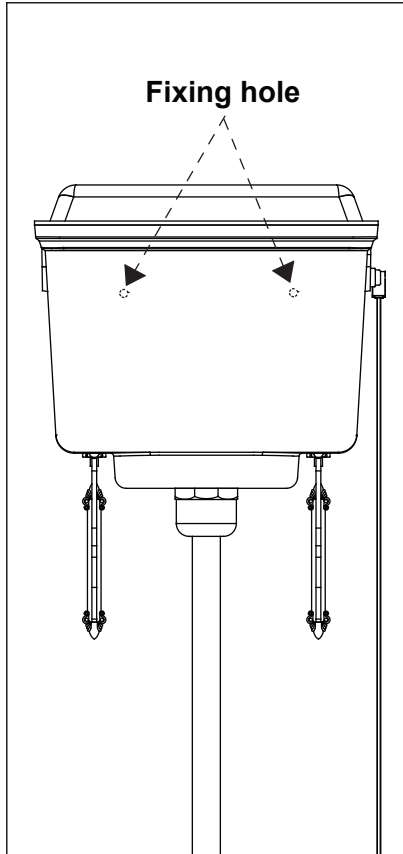


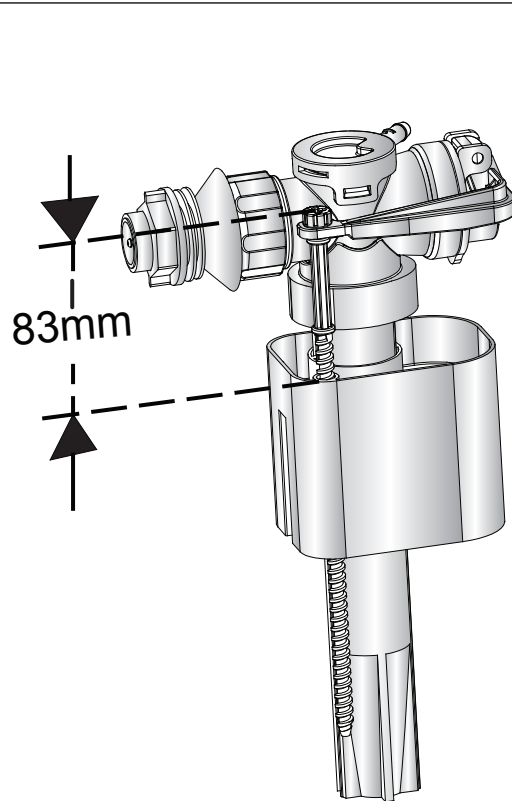
1: Fixing cistern on to wall



Note:

Fixing screws are not included. Please use appropriate screws depending on the wall type to fix the cistern on to the wall.

2: Inlet Valve



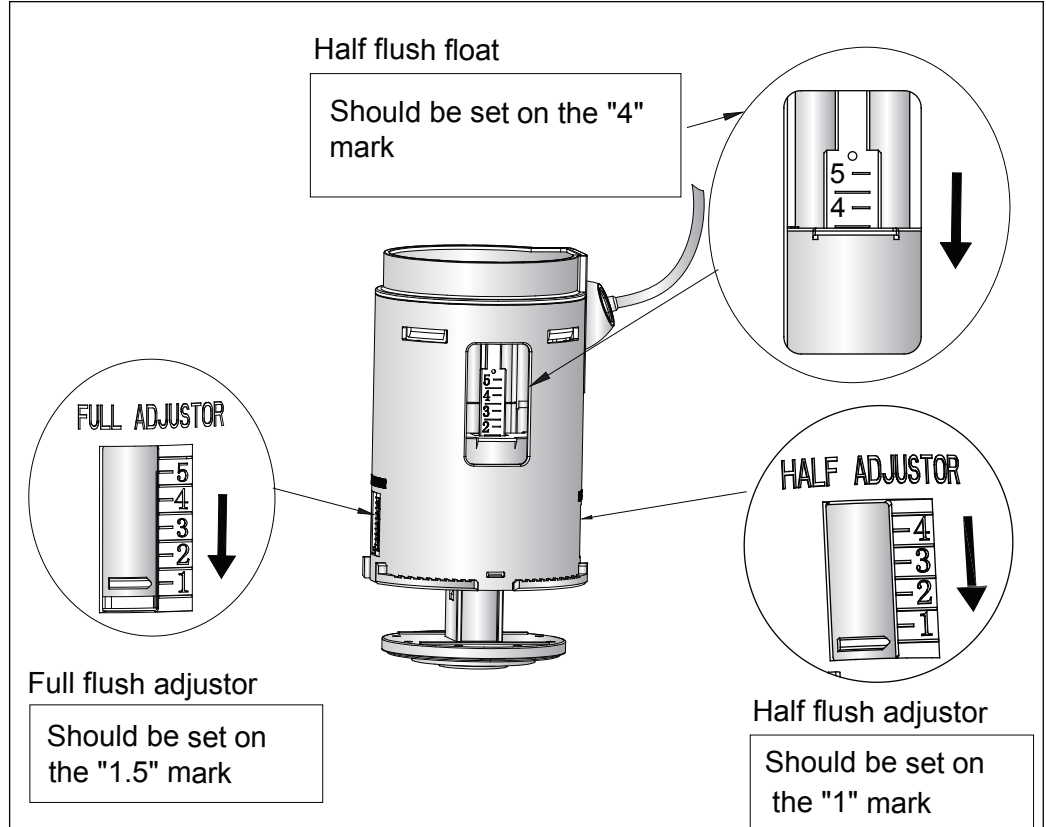
Note:

The Inlet Valve should be adjusted to suit the **Aluminium High Level Cistern - T58, T59, T60, T70.**

The above diagram indicates the correct setting.

For adjustment method, please refer to the installation instruction supplied with the cistern fittings.

3: Flush Valve



Note:

The Flush Valve should be adjusted to suit the **Aluminium High Level Cistern - T58, T59, T60, T70.**

The above diagram indicates the correct setting.

For adjustment method, please refer to the installation instruction supplied with the cistern fittings.

Assembly

- Mount the cistern securely on the wall at the height of 2060mm from the underside of the cistern to the floor using the fixing holes through the rear of the cistern (**See hint 1**).
- Join the two **flush pipes** together and silicone the joint.
- Use the **brass fixing nut** (as part of the **decorative cover**) to fix in the cistern fittings. Place the **decorative cover** and **plastic fixing nut, plastic washer, cone shaped washer** (supplied as parts of the cistern fittings) over the top of the **flush pipe** (longer end of the **flush pipe**) and insert into the **threaded siphon stem** (supplied as part of the cistern fittings). Once the **flush pipe** is secured by the **plastic fixing nut**, screw the **decorative cover** up to the **brass fixing nut**.
- Insert the lower end of the **flush pipe** into the pan via the **flush cone** (supplied as part of the cistern fittings).
- Locate the **buffer clip** so as to prevent collision between the seat and flush pipe. This **buffer clip** will also secure the **flush pipe** to wall by fixing the **buffer clip** upto wall.
- Put in the **control bracket** first, then join the **pull handle** to the lever arm. Fix the **control bracket** to the wall 180mm above the **pull handle**.
- Mount the **ornate brackets** using the screws provided snugly under the cistern (**See hint 2**).

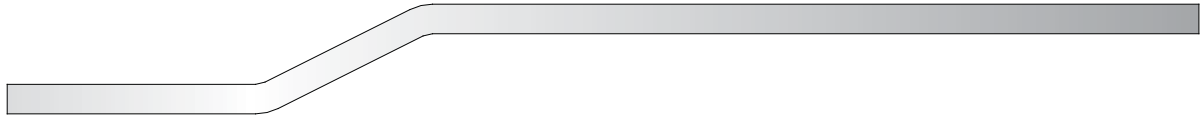
HANDY HINT

1. When installing your cistern, ensure that the **rubber spacing washers** are used to create a small gap between the cistern back and the wall. There are two reasons for this; firstly it will help to reduce the possibility of condensation when cold mains pressure is contained within a humid environment and secondly, the gap will help prevent “thermal shock”. This is when rapid temperature change occurs (usually overnight) and causes the wall to contract or expand, thus cracking the sanitaryware. When fixing the cistern to the wall it is advisable to insert the screw through a washer (not supplied) on the inside of the cistern. This will prevent the screw damaging the sanitary ware when the screw “bites”.

* If required, for example if the wall is not level, please add additional spacers which are not provided to ensure the cistern is level for fixing to the flush pipe.

2. **The ornate brackets are purely decorative.** They should not be used as support for the cistern. Always ensure that the cistern is firmly and securely fixed to the wall via the fixing holes at the rear of the tank.

Parts supplied:



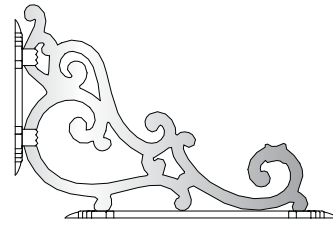
upper flush pipe 1x



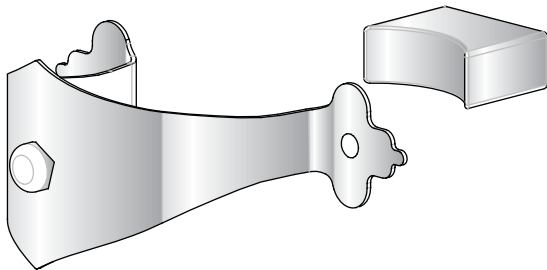
pull handle 1x



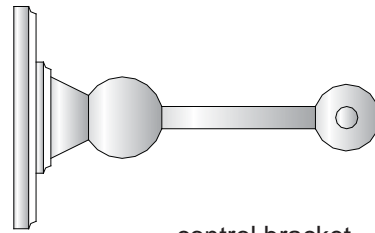
lower flush pipe 1x



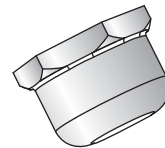
ornate bracket 2x



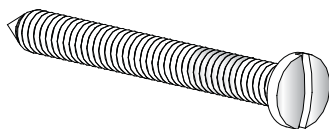
buffer clip 1x



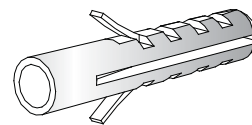
control bracket 1x



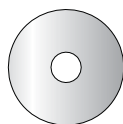
decorative cover & brass fixing nut 1x



screw 12x



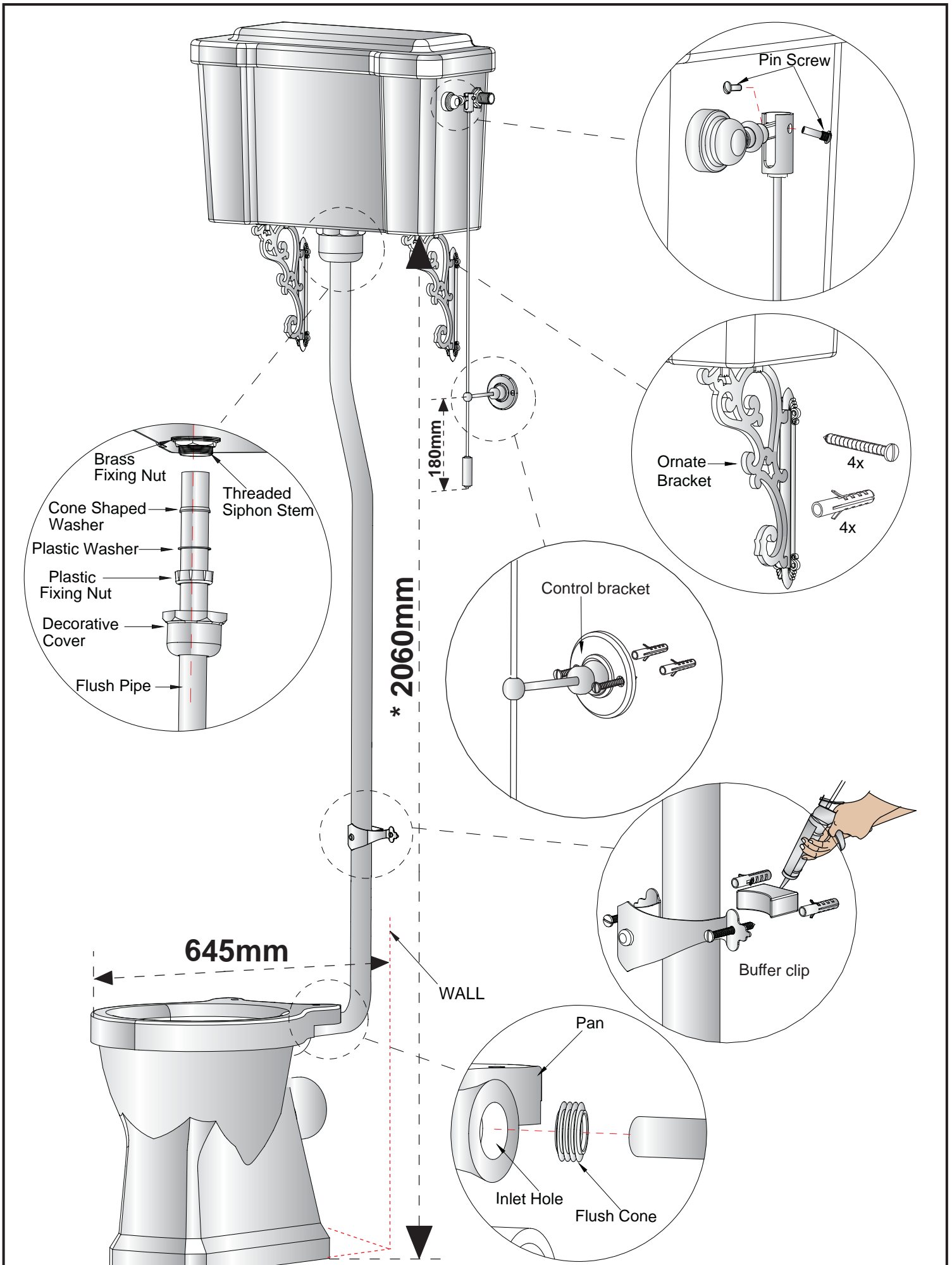
rawl plug 12x



rubber spacing washer 4x



pin screw 1x



Note:
 645mm measure is only recommended installation
 and the final decision should be made by the plumber
 on site depending on the installation circumstance.

*** The maximum overall height is 2060mm.**
*** The minimum overall height is 1980mm.**