

## INSTALLATION INSTRUCTIONS

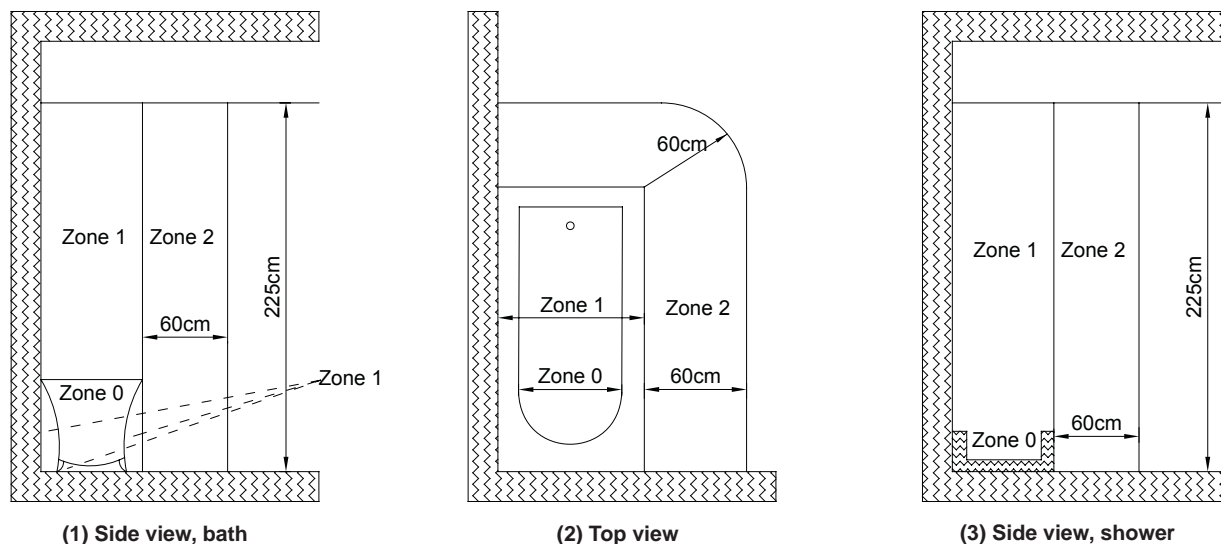
The radiator can be installed in three different heating configurations; connected to a central heating system, fitted with a summer electric heating kit as an electric radiator, or as a dual source connected to a central heating system and with a summer electric heating kit fitted.

**PLEASE NOTE: THE CHAPLIN RADIATORS ARE MADE FROM STEEL AND WHEN CONNECTED TO CENTRAL HEATING SYSTEMS SHOULD ONLY BE USED ON CLOSED SYSTEMS CONTAINING A RUST INHIBITOR.**

- review instructions carefully before installation
- installation should be completed by a suitably qualified person
- please dispose of packaging in a responsible manner

### POSITION:

The radiator, if intended to be heated with the summer electric heating kit, can be installed in the Zone 2 area (see Fig below), but the electrical connection box must be outside the Zone 2 area.



### PLEASE NOTE:

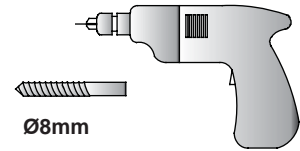
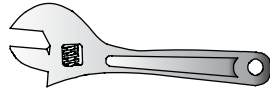
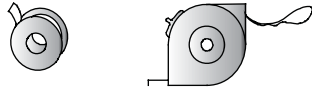
- This product can only be used at  $PN \leq 1\text{MPa}$  (10Kg/cm, 10Bar). It should only be filled with a water mixture containing a rust inhibitor, and at a temperature below  $100^{\circ}\text{C}$  (or  $212^{\circ}\text{F}$ ). See table below for installation requirements.
- If the temperature exceeds  $48^{\circ}\text{C}$  (or  $120^{\circ}\text{F}$ ), please install a warning sign near the product to avoid burning or scalding accidents.
- If the product is not used for a period during which ambient temperature drops below  $5^{\circ}\text{C}$  (or  $41^{\circ}\text{F}$ ), please drain the water out of the radiator to avoid oxidization.
- For prolonged usage and safe operation please check product at regular intervals.

Filling	Pressure	Temperature	Remarks
Water mixture containing a rust inhibitor	$PN \leq 1\text{MPa}$	$0^{\circ}\text{C} \leq t \leq 100^{\circ}\text{C}$	If ambient temperature drops below $1^{\circ}\text{C}$ , drain out the water to prevent damage from freezing.

### AFTER CARE ...

The Chaplin radiators are made from steel with chrome plating, and should not be cleaned with corrosive or scouring cleaning agents.

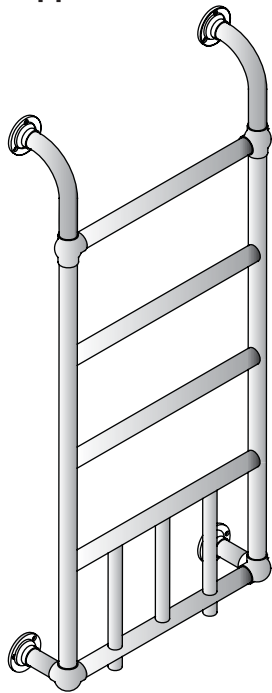
**Tools required:**




Ø8mm



**Parts supplied:**



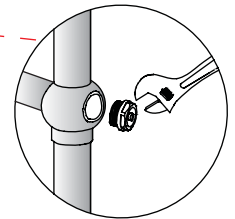
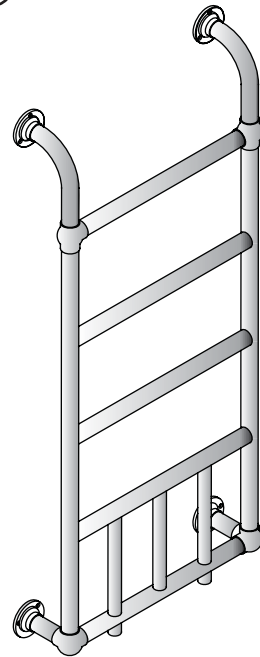
 12x  
ST4.8 \* 45mm

 12x

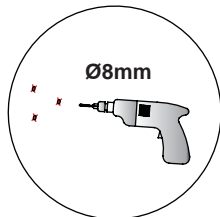
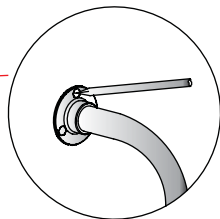
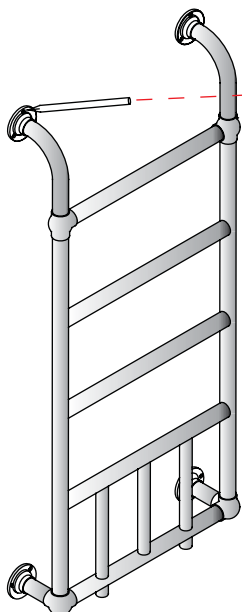
 2x

 1x

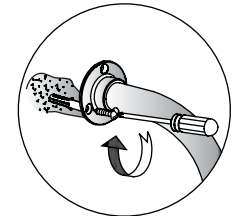
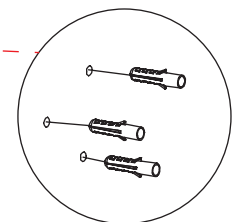
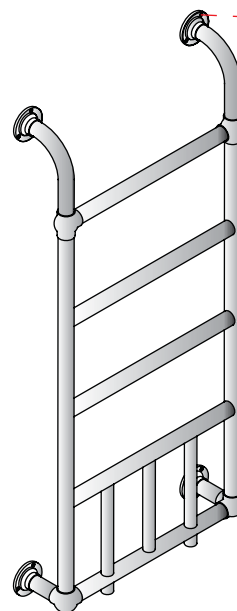
1



2 Installation position is determined by installer.

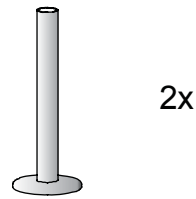
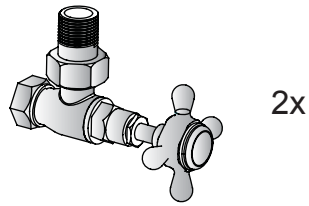


3



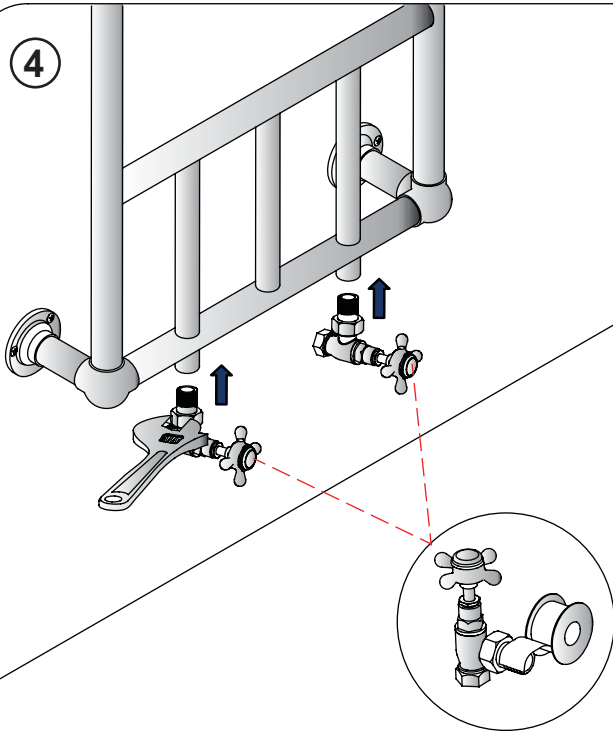
## Heated with the central heating system

Parts required:

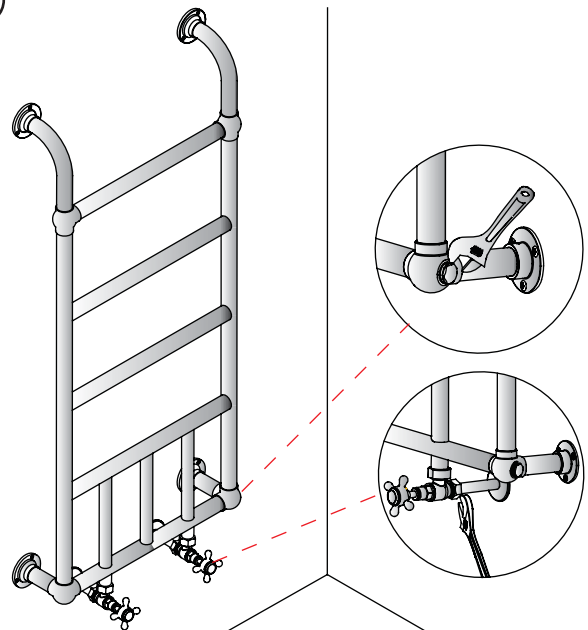


The diagrams of control valve and the connecting pipe as shown above are for reference only, and should be purchased separately.

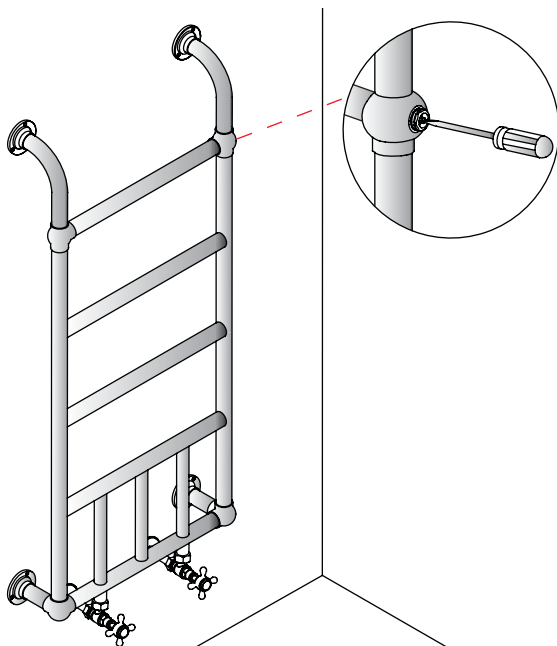
4



5



6

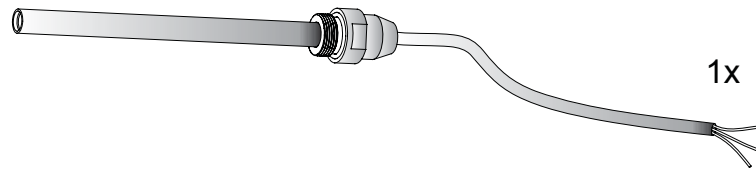


After installation ...

- Use a screwdriver to open the air vent, open the inlet valve and let the water rush into the radiator. Check all connections for leaks.
- Once water overflows from the air vent, there is no air in the tube, use a screwdriver to close the air vent. Turn on the outlet valve and the radiator is ready for use.

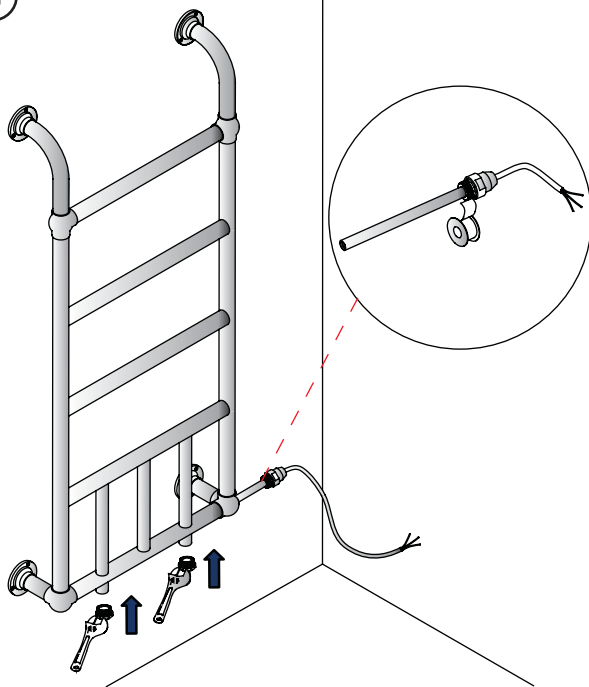
# Heated with the summer electric heating kit only

Parts required:



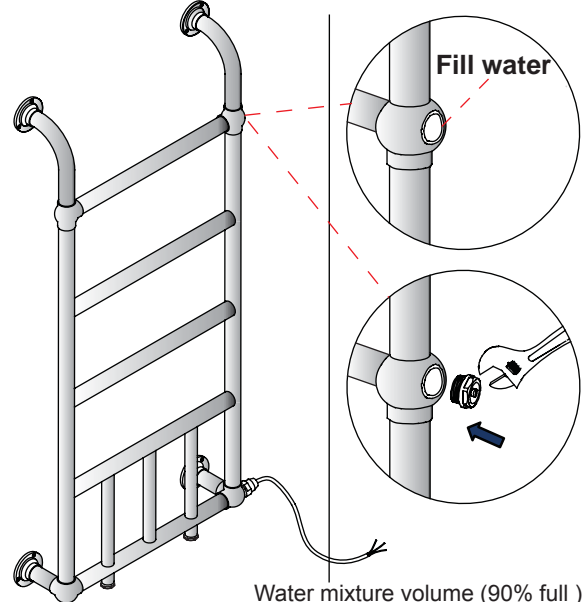
The diagram of the summer electric heating kit as shown above is for reference only, and can be purchased separately.

4



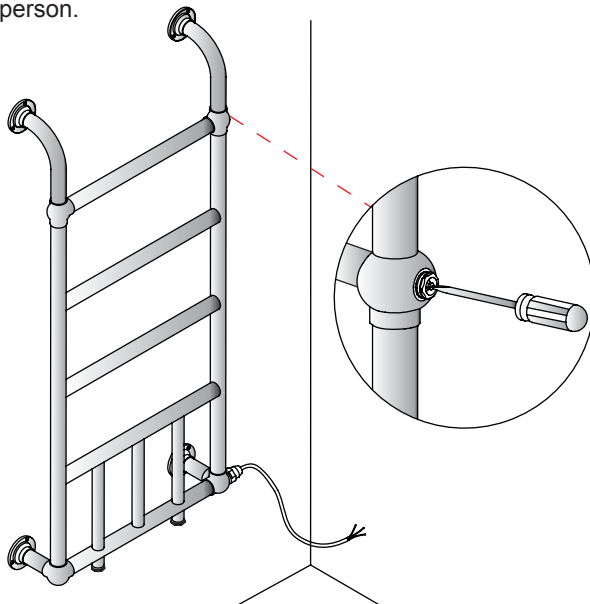
5

If the radiator is to be used for electric heating only ( not connected to a central heating system ), then seal the bottom inlet / outlet nipples with the blanking plugs. Fill the radiator approximately 90% with a water mixture containing a rust inhibitor – failure to do this will lead to leaking as the radiator rusts from the inside. Filling with more than 90% liquid will lead to leaking as the water mixture expands as it heats up.



6

Connect to the electric supply via a fused spur. Then check for leaks. At all times follow the installation instructions supplied with the Summer Electric Heating kit. All electric work must be done by a suitably qualified person.

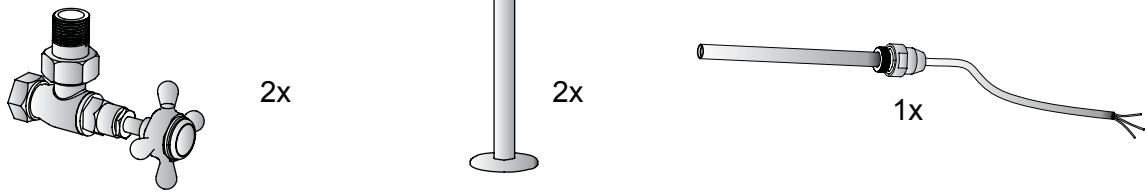


After installation ...

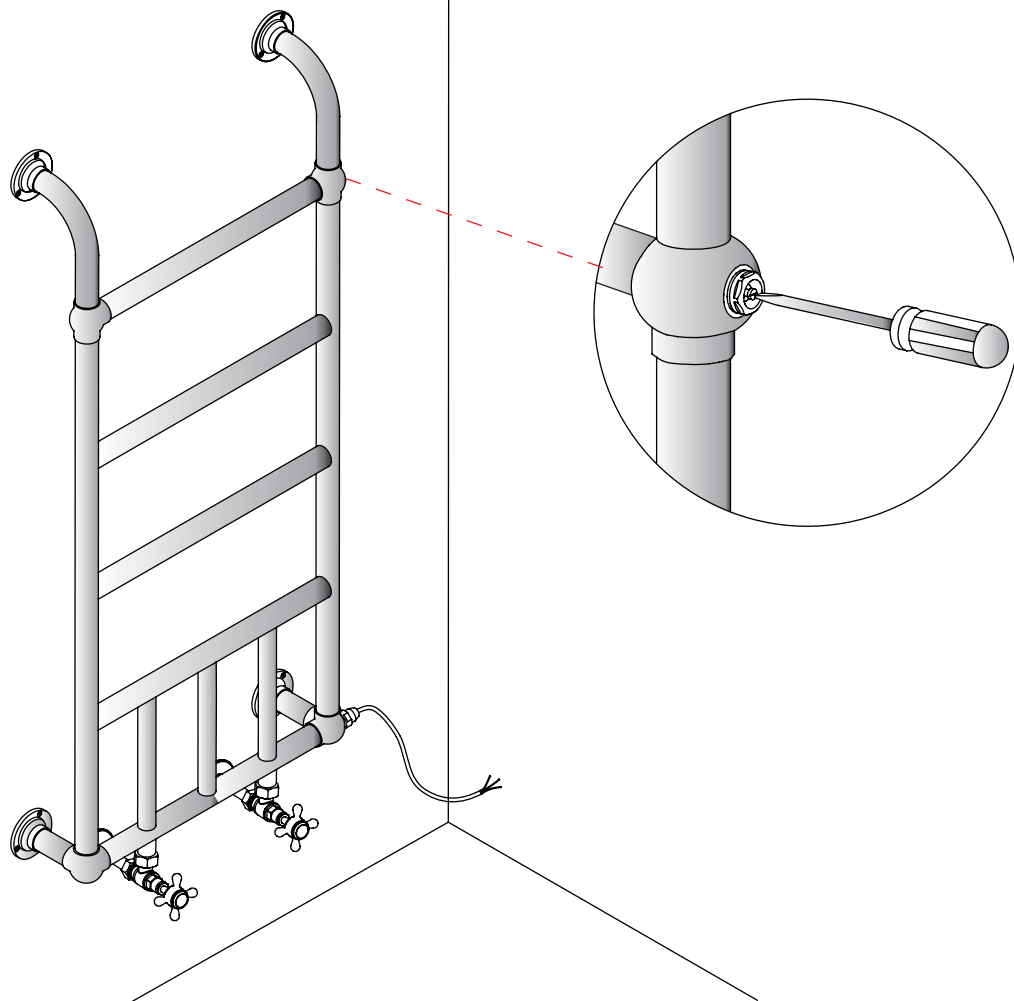
- Use a screwdriver to open the air vent, heating the liquid inside radiator till summer heating kit stop working, once no liquid flowing out from the air vent, use a screwdriver to close the air vent, then the radiator is ready for use!

## Dual source connect to central heating system and with a summer electric heating kit

### Parts required:



The diagrams of control valve, the connecting pipe and the summer electric heating kit as shown above are for reference only, and should be purchased separately.



Connect to the electric supply via a fused spur. Then check for leaks. At all times follow the installation instructions supplied with the Summer Electric Heating kit. All electric work must be done by a suitably qualified person.

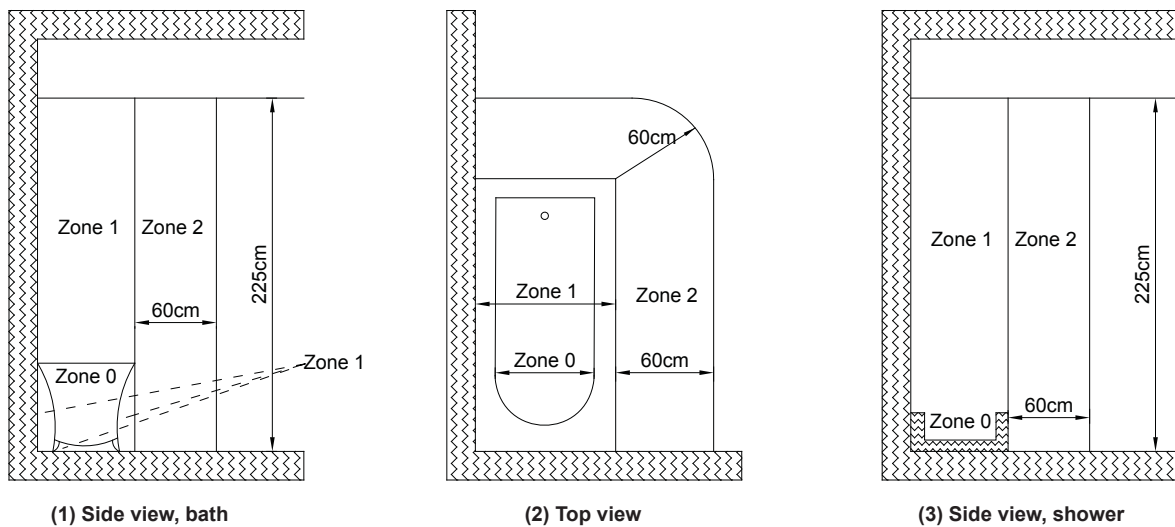
### **If this radiator used as a dual source connected to central heating system and with a summer electric heating kit fitted:**

- While use central heating system, power supply must be shut off, and release the air in radiator as described in page 3.
- While use summer electric heating kit only, turn off the inlet and outlet valves, and make sure the liquid in the radiator is approximately 90% - failure to do this will lead to leaking as radiator rusts from the inside, more than 90% liquid will lead to leaking as liquid expands as it heats up. And release the air in radiator as described in page 4.

This summer electric heating kit allows you the benefit of heat from your bathroom radiator on cooler days without the need to run your complete central heating system. When incorporated the electric heating element heats only the bathroom radiator, and the water does not get circulated to the other radiators in your home. It does not prevent the circulation of water into the bathroom radiator when the central heating pump is running, and thus does not need to be removed again once installed.

### Position:

This summer electric heating kit is intended to be installed in a bathroom or shower-room. It is IP44 rated and may be installed in the Zone 2 area (see Fig below), but the electrical connection box must be outside the Zone 2 area.



(1) Side view, bath

(2) Top view

(3) Side view, shower

### Fitting into the bathroom radiator:

The product should be installed by a competent plumber.

The bathroom radiator must be isolated from the rest of the central heating system by closing its shut-off/control valves, and then drained. If isolation cannot be achieved, then the complete central heating system must be drained down to below the level of the bathroom radiator (note that when refilling it may be necessary to top-up any corrosion inhibitor in the system).

The heating element should be inserted into the radiator, do not overtighten.

The isolating valves should be opened and the radiator bled of all air.

### Electrical connection:

The sealed heating element is supplied complete with its own mains cable. Do not use an extension cable. It is a 3-wire product which must be earthed. It should be connected to the household fixed wiring by a qualified electrician in accordance with the national Wiring Regulations (BS.7671). A switch for disconnection from the electricity supply, having a contact separation in all poles that provide full disconnection under overvoltage category III conditions, must be incorporated in the fixed wiring. A switched spur outlet incorporating a 3A fuse may be used, but this must be positioned outside the Zone 2 area (i.e. further away from the bath or shower). The national Wiring Regulations also require that each circuit supplying a bathroom must be protected by a 30mA RCD in its supply.

## USER INSTRUCTIONS


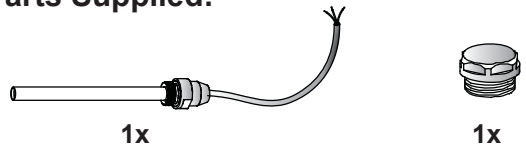
### Safety warnings:

- This appliance is not intended for use by persons (including children) with reduced physical, sensory or mental capabilities, or lack of experience and knowledge, unless they have been given supervision or instruction concerning use of the appliance by a person responsible for their safety.
- Children should be supervised to ensure that they do not play with the appliance.
- As when the central heating system is operating, this summer electric heating kit will cause the bathroom radiator to get hot to touch during operation.

- d) Switch off the heating element at the supply when not in use.
- e) Do not operate the heating element when there is no water in the radiator. It incorporates an overheat protection thermal fuse which may blow if this occurs.
- f) If the mains supply cable to the heating element becomes damaged it must be replaced by the manufacturer, its service agent or a similarly qualified person in order to avoid a hazard.

**Operation:**

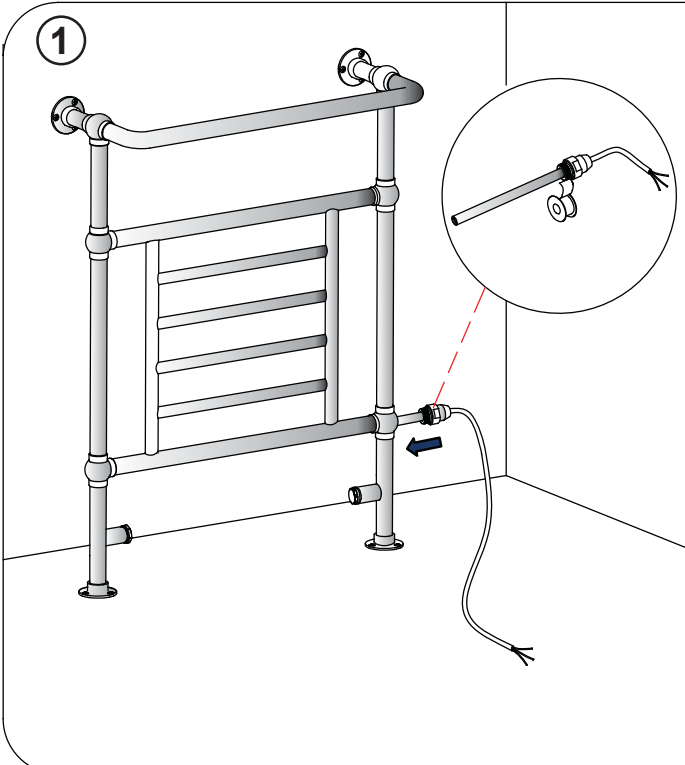
When the electricity supply is switched on the bathroom radiator will heat up. The heating element incorporates an integral fixed temperature thermostat, so no temperature adjustment is necessary.

<p><b>Tools Required:</b></p> 	<p><b>Parts Supplied:</b></p> 
---	--

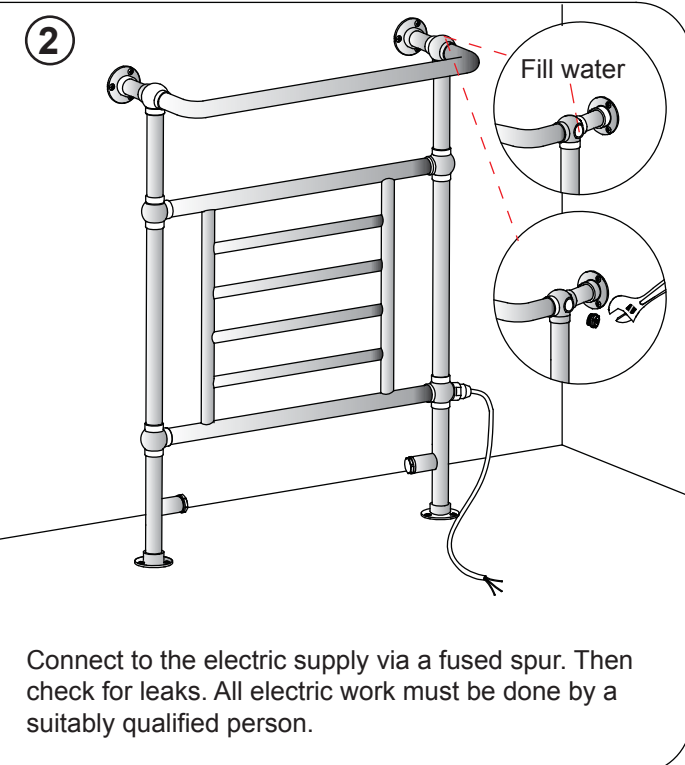
The table below is a guide to help choose which summer electric heating kit is most suitable for which radiator.

Summer Electric Heating Kit	Radiator Output		
	Cleaver & Berkeley & Vincent	Bloomsbury	Trafalgar
150W	X		
250W		X	
400W			X

**1**



**2**



Fill water

Connect to the electric supply via a fused spur. Then check for leaks. All electric work must be done by a suitably qualified person.

**If this radiator used as a dual source connected to central heating system and with a summer electric heating kit fitted:**

- While use central heating system, power supply must be shut off, and release the air in radiator per the instruction supplied with the radiator.
- While use summer electric heating kit only, turn off the inlet and outlet valves, and make sure the liquid in the radiator is approximately 90% - failure to do this will lead to leaking as radiator rusts from the inside, more than 90% liquid will lead to leaking as liquid expands as it heats up. And release the air in radiator per the instruction supplied with the radiator.