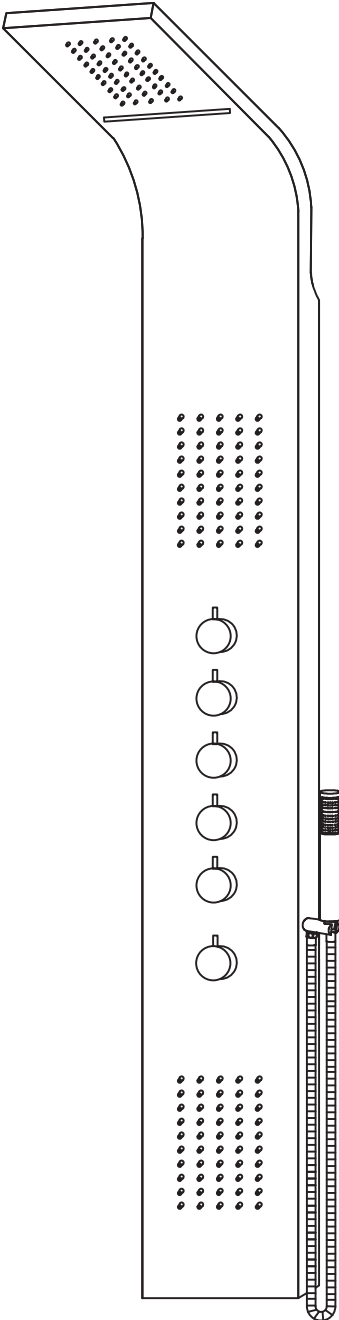


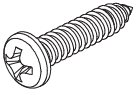
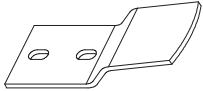
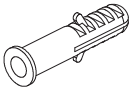
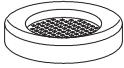

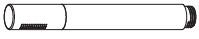
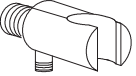

# Installation Instructions

## Shower panel

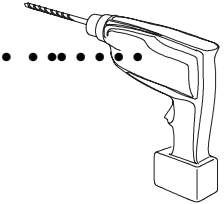
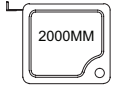


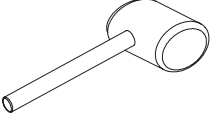
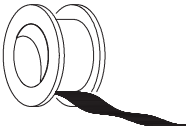



# PARTS LIST

Please unpack and inspect all packages and components carefully, make sure they are complete. Examine for shipping damage. If some parts are damaged or missing, notify your dealer immediately.

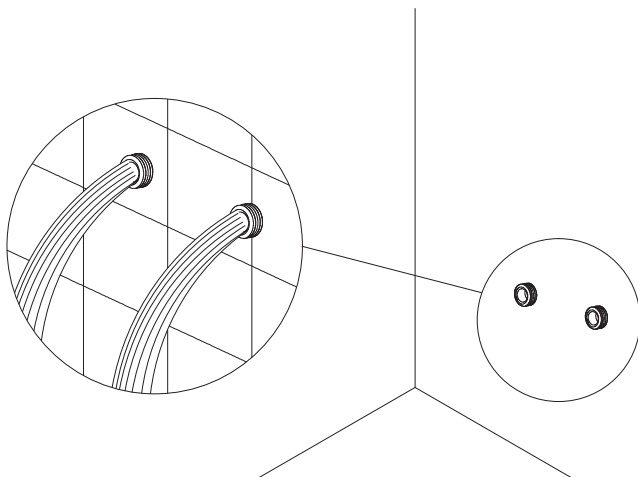
 X4	 X2	 X4	 X2	 X4	 X1
 X1	 X1				

## FOR INSTALLATION YOU MAY REQUIRE

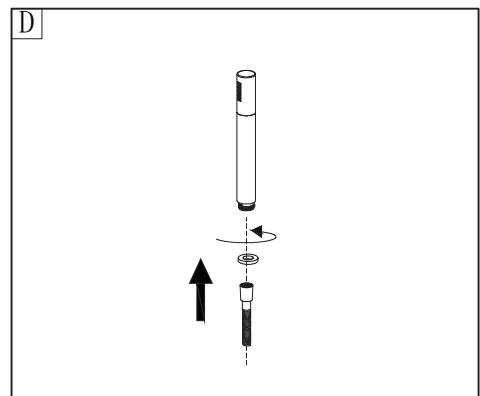
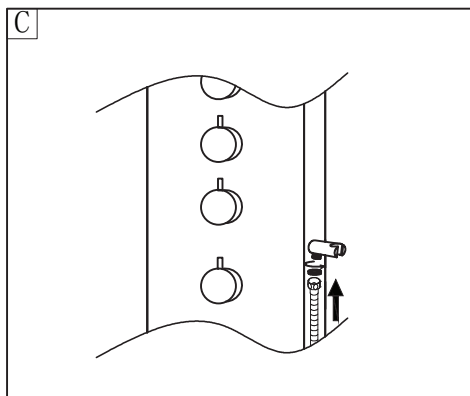
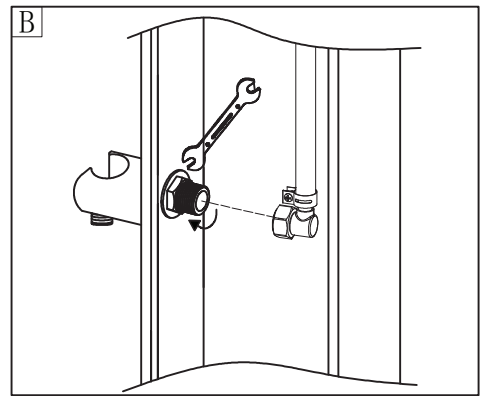
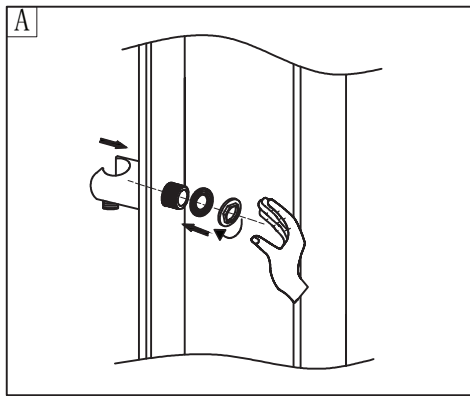
	 2000MM			
Electric Drill	Tape	Wrenches	Pencil	Hammer
	 PH ⊕			
Sealing Tape	Screwdriver			

### Note!

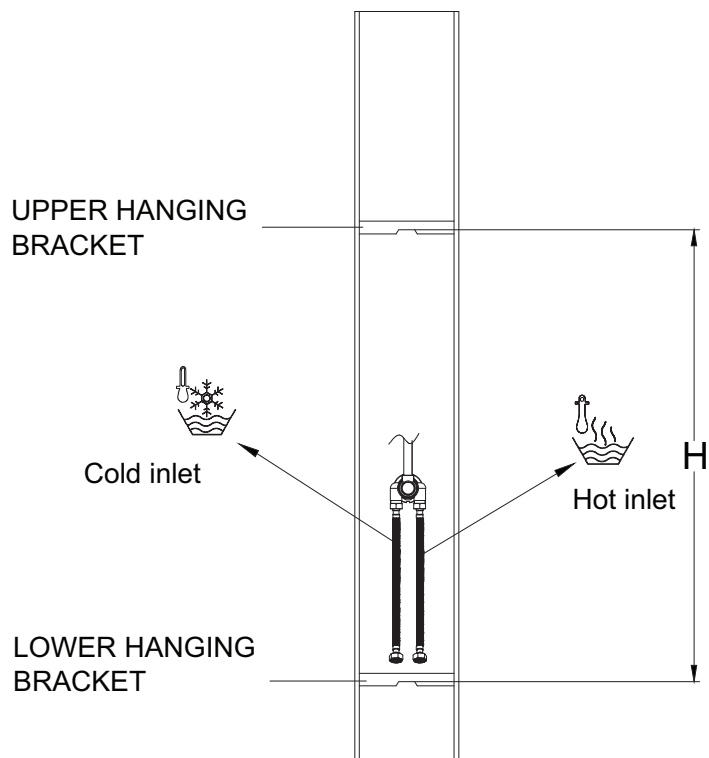
Before assembly, flush the water supply pipes thoroughly to remove debris (allow the water to run with the main stopcock open for about 3 mins), otherwise dirt particles might affect the function of the shower panel!



# INSTALLATION INSTRUCTIONS



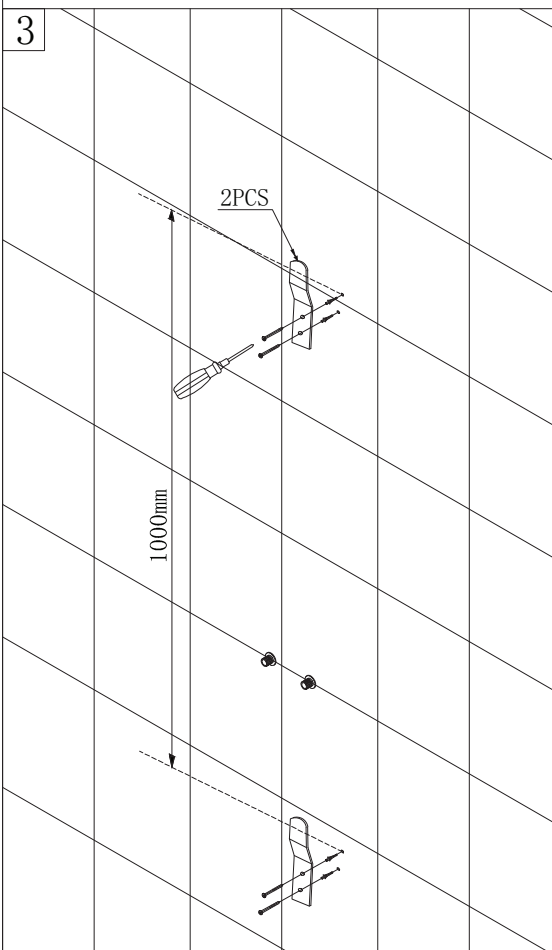
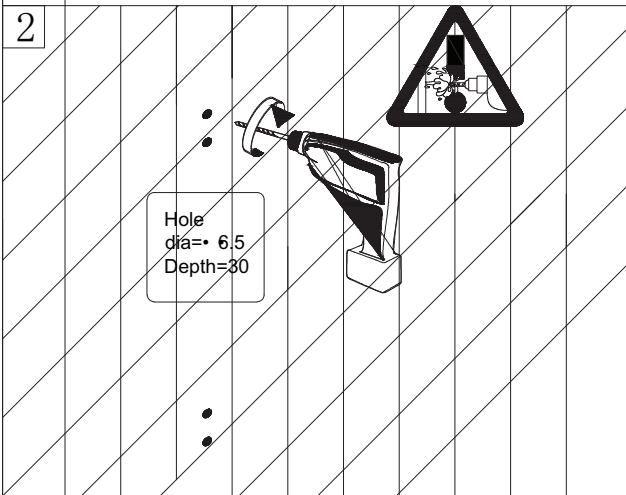
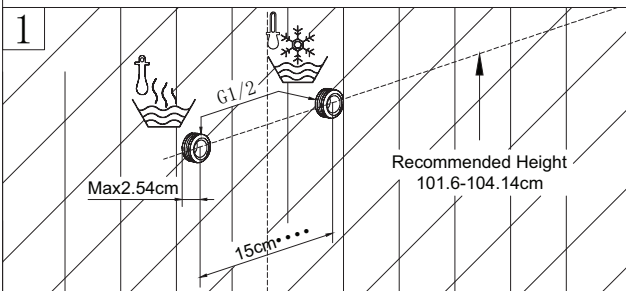
## Back View



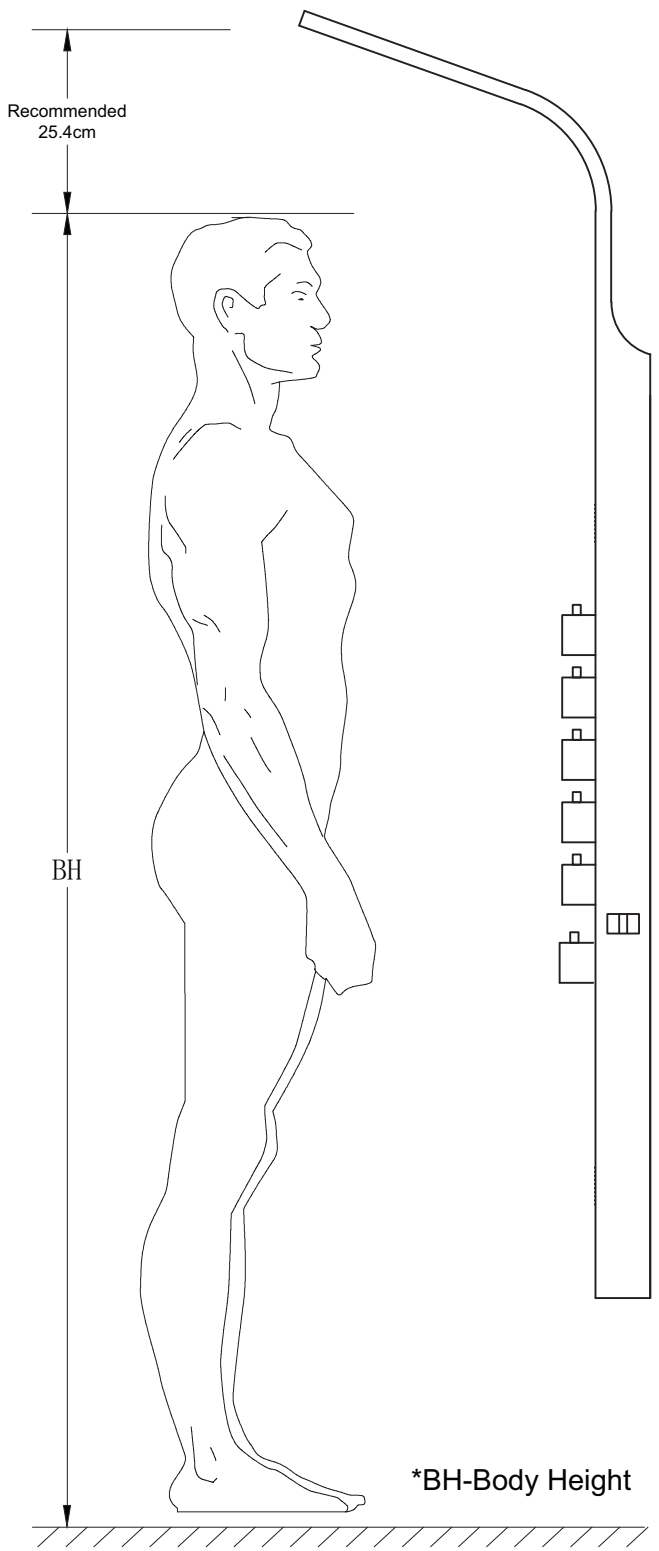
\*H-Hanging rail spacing

Measure the distance from the upper fixing bracket to the lower fixing hanger.

# INSTALLATION INSTRUCTIONS

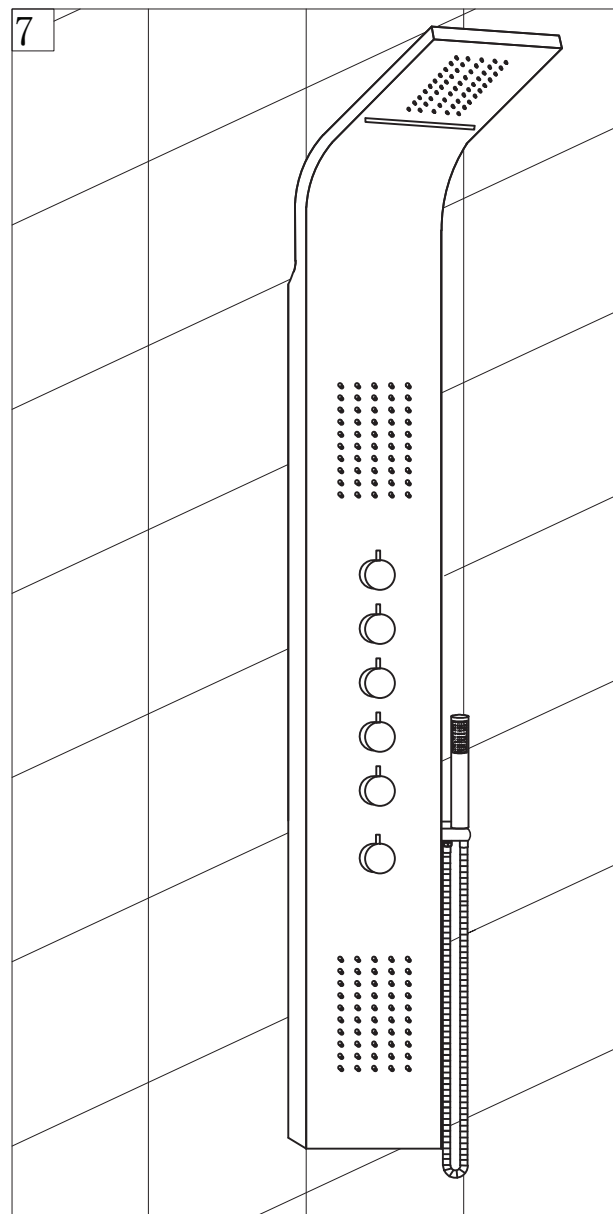
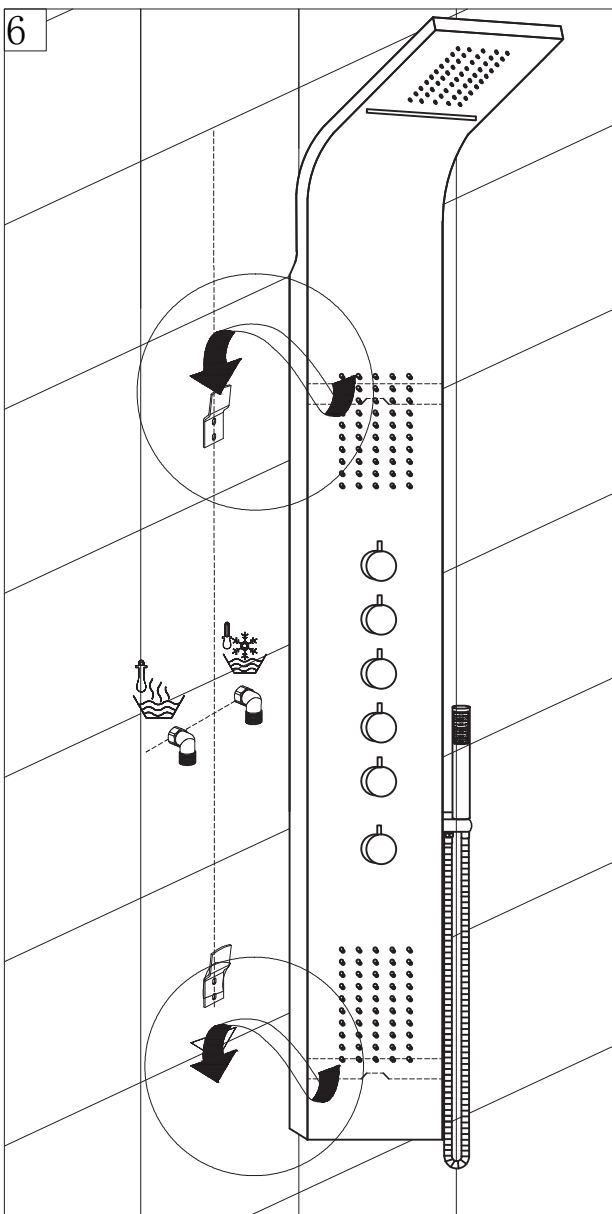
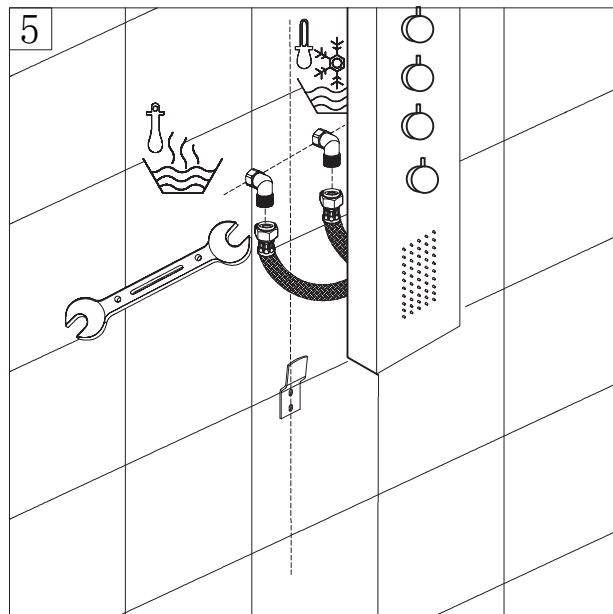
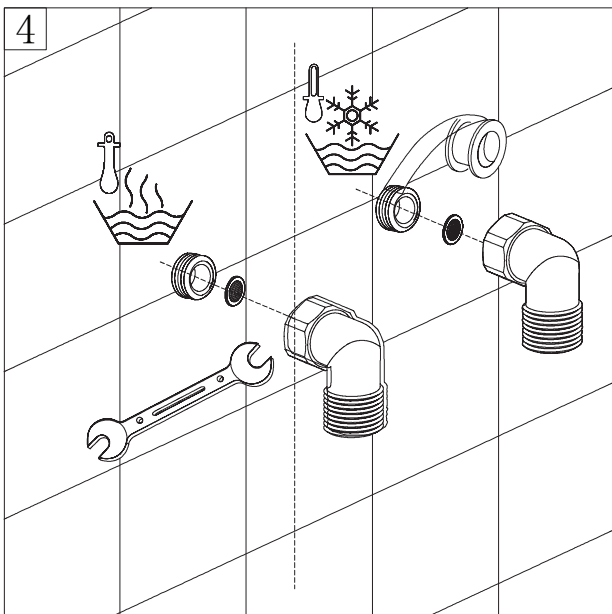


4

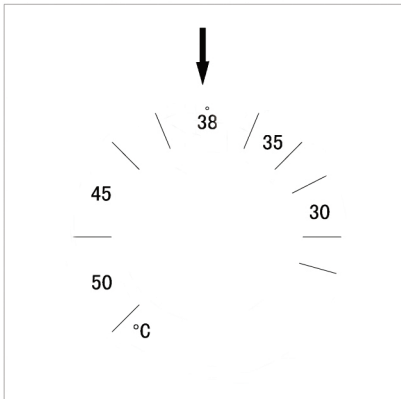


## Dimensions

# INSTALLATION INSTRUCTIONS

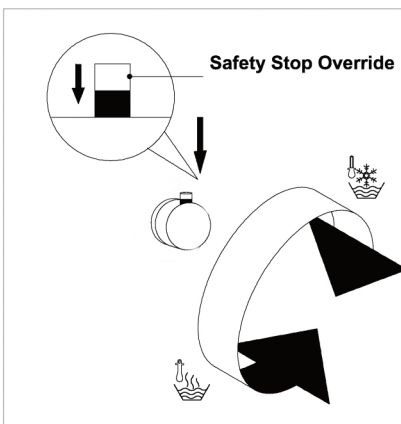


## How to use the Temperature Control Knob



### Attention

The maximum water temperature output should be 38°C.



### How to use the Temperature Control Knob:

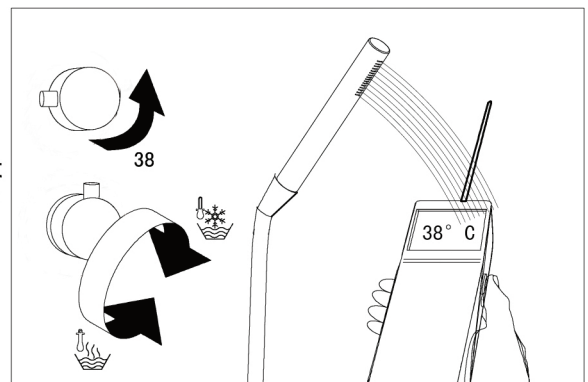
- Turning the handle clockwise makes the water cooler; turning the handle counter-clockwise makes the water warmer.
- When the safety stop override is at the 12:00 position, the output water is 38°C, the handle will stop
- If a user wants water hotter than 38°C press, the safety stop override button and continue turning the handle counter-clockwise.

### Additional Safety Measure:

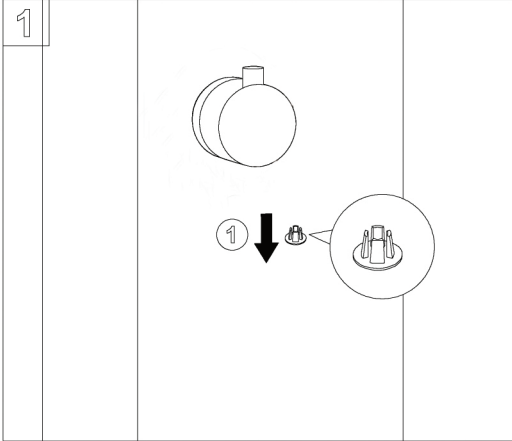
After installing the shower panel, it is recommended that a test be performed to ensure the actual water temperature (hot position) is consistent with the temperature setting on the panel's thermostatic valve control.

### Performing the temperature control knob accuracy check

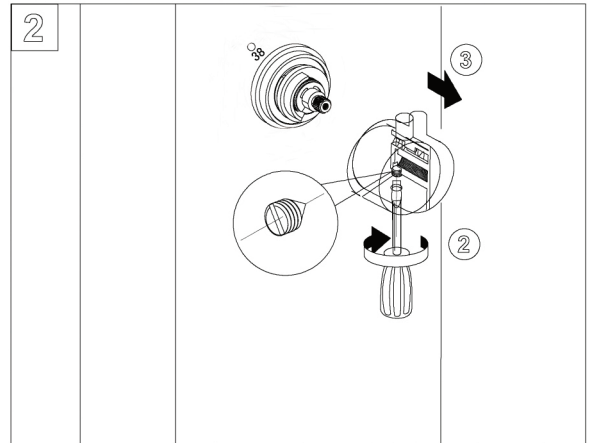
- Turn on the water and direct to the handshower
- Turn the temperature control knob to the 12 O-Clock position.
- Using a temperature test meter or similar testing device (not included), check to make sure the temperature recorded for the handshower water output does not exceed 38°C.



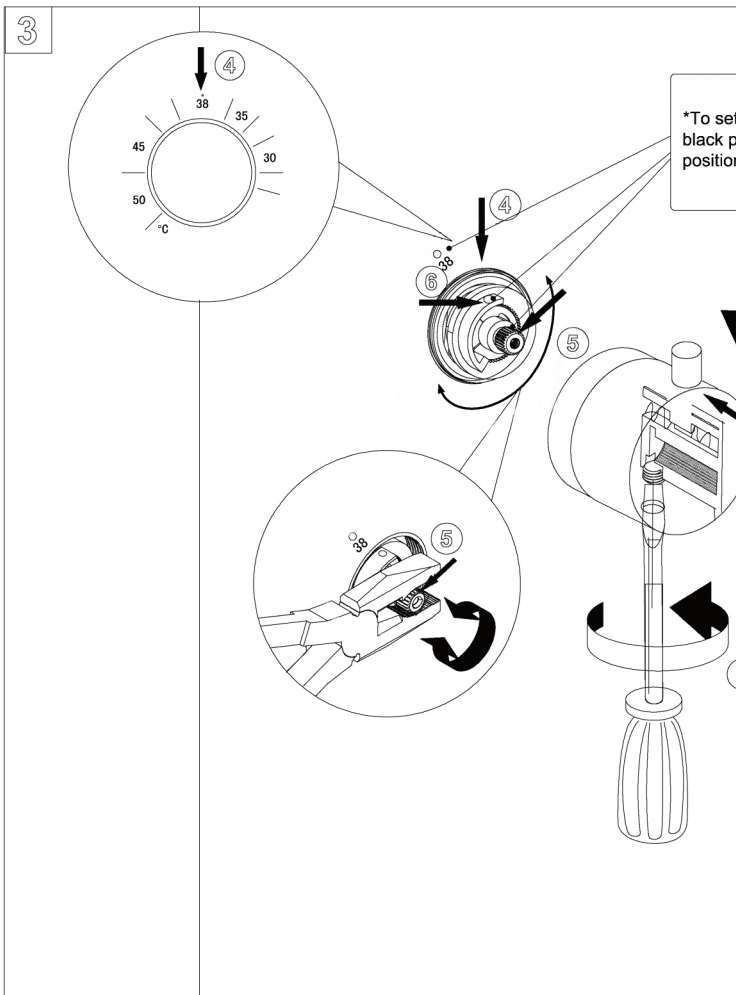
Please adjust temperature according to the following steps below:



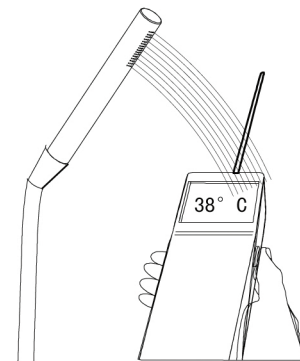
Remove the bottom cover.



Loosen the handle screws on the thermostatic mixer knob (rotate the screws 2 to 3 rotations).



\*To set correct temperature indicator position, the three points on 1. scale plate, 2. black plastic rotator limiter, 3. slotted axial valve has to line up to the "12-O Clock" position



- Assuming the water temperature of 38°C will represent the thermostatic mixer knob indicator at the 12-O Clock position, the three points on the 1. scale plate (shown as #4), the 2. black plastic rotator limiter (shown as #6); and the slotted axial valve (shown as #5) MUST all coincide and line-up at the "12-O Clock" position.
- Test the water temperature once more using the handshower with your testing device. Make adjustments to the position of the slotted axial valve (shown as #5) until the water temperature output matches the position represented by the scale marks on the scale plate relative to the position of the selector knob.
- Replace the temperature control knob handle and make sure the safety button is facing upward at the "12-O Clock" position.
- Set the screws and tighten.

## Cleaning Recommendations

Modern faucets and shower products utilize a combination of materials to comply with the needs of the market with regard to design and functionality.

To avoid damage, it is necessary to use some caution when cleaning. Damage caused by improper treatment is not covered under the warranty.

**Cleaning Materials for Faucers and Showers**

- To remove lime scale, use only products made specifically for that purpose. Always follow the manufacturer's instructions when using.
- Do not use cleaners that contain hydrochloric, formic, acetic, or phosphoric acids, as these will cause considerable damage to finishes and to plastic components.
- Never mix cleaning materials.
- Never use cleaners containing abrasives. Do not use abrasive cleaning cloths, pads, or sponges.

**Cleaning Procedures**

- Required cleaning your faucets and shower products, regular cleaning will prevent scale buildup and water spotting.
- Follow the label instructions. Do not allow any cleaner to remain on the product for longer than necessary.
- When using spray cleaners, please spray first to a sponge or cloth, don't spray directly to the product.
- Please use clean water to rinse to remove residual cleaners and dirt.

**Important**

- Soap and shampoo residue can also cause damage to the product. Rinse with clean water after use.
- If the surface is already damaged, harsh cleaning materials will cause further damage.

## Technical data

Minimum working pressure	1.5bar
Maximum working pressure	5bar
Recommended operating pressure	1.5bar-3bar
Test pressure	5bar
Temperature scale	20°C-60°C
Hot water temperature	80°C
Safety stop	38°C