

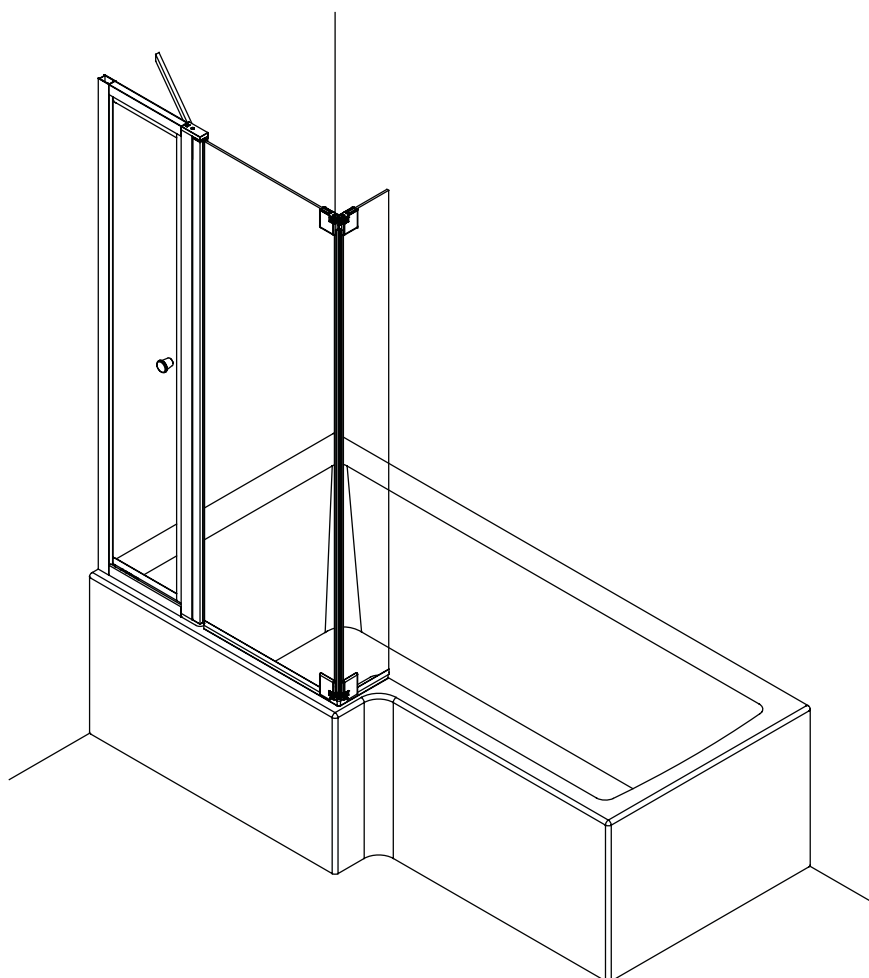
## EcoSquare Bathscreen LH - BS8

### Before Installation:

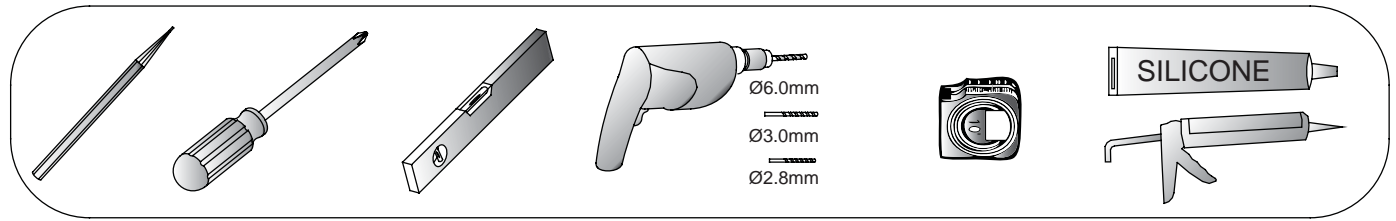
- Check the contents of the pack carefully before installation.
- The bath MUST be installed level and fully sealed to the tiles.
- Handle with care. Impacts can damage both the glass and the frame.
- Check for any hidden pipes or cables before drilling holes in the wall.
- The wall fixings supplied may not be suitable for your installation. You may need to source alternatives depending on the construction of the wall you are fixing to.
- Follow each step in turn.

### Care and Cleaning:

- Do not use solvents or abrasive material or chemicals to clean the enclosure.
- Only clean using soapy water and a soft cloth, rinse thoroughly afterwards.

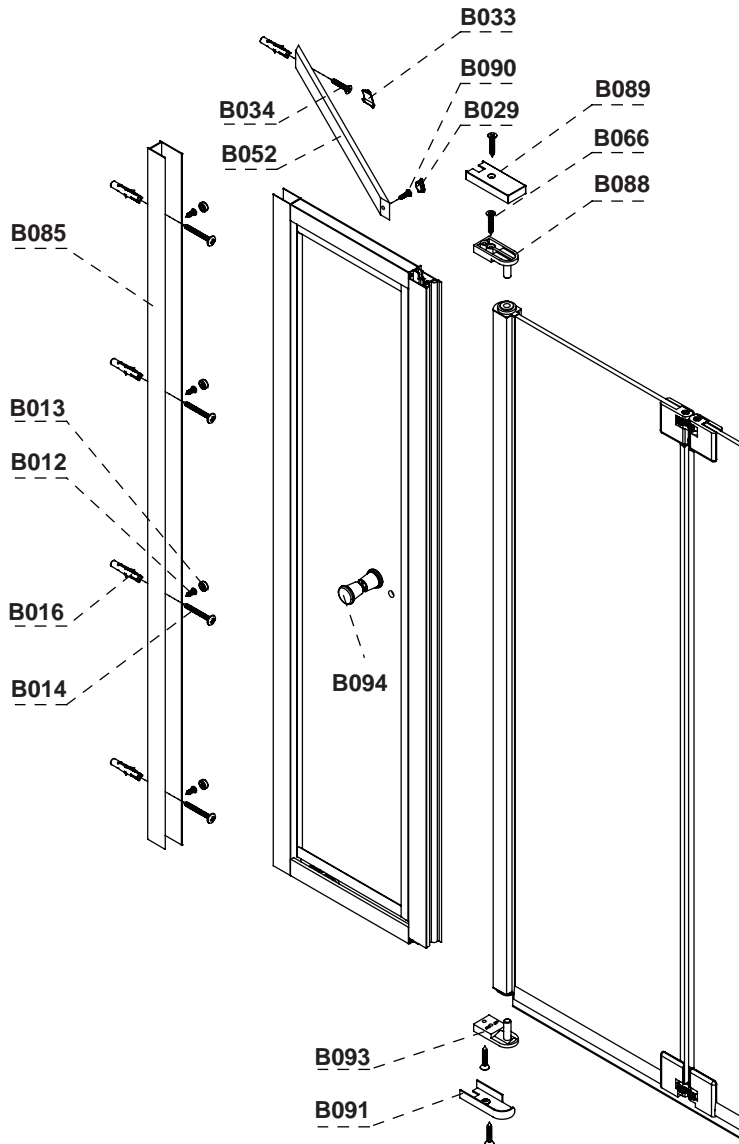


**Tools required:**



**Parts supplied:**

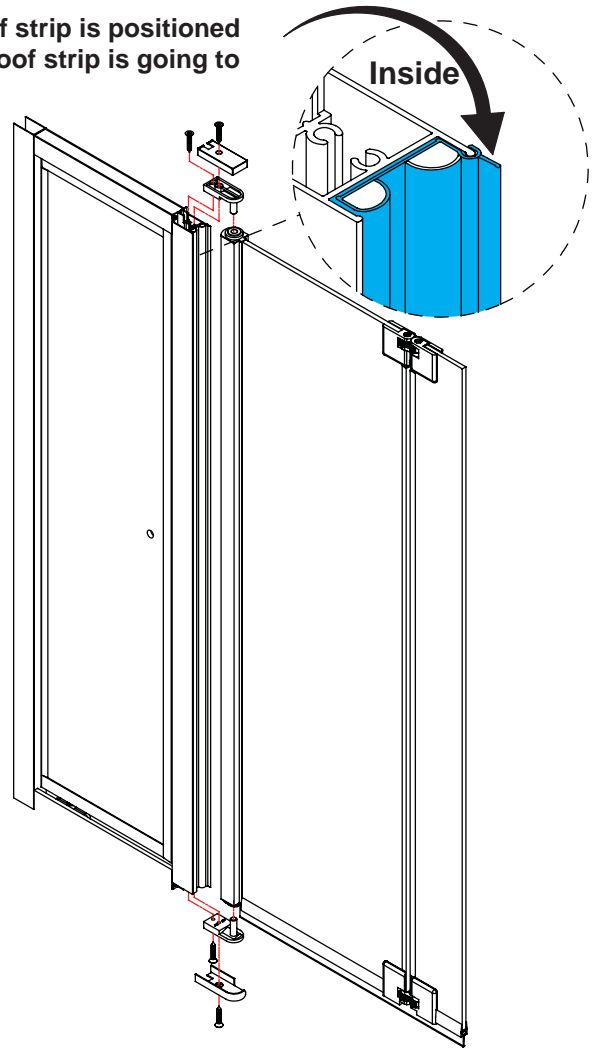
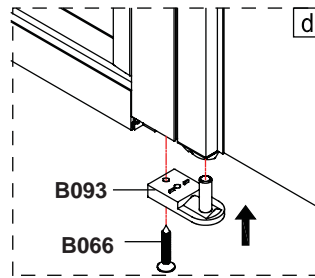
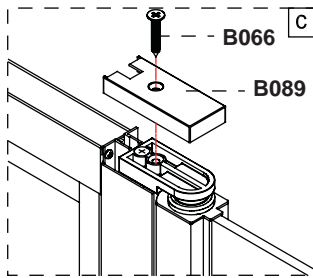
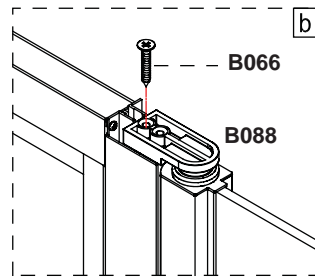
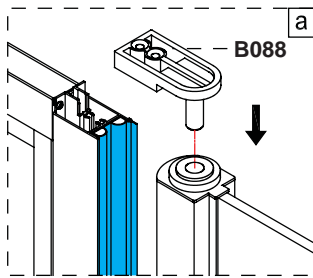
**EcoSquare Bathscreen LH - BS8**



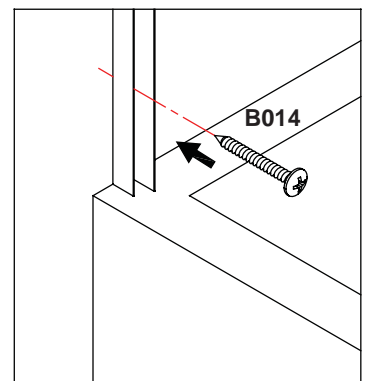
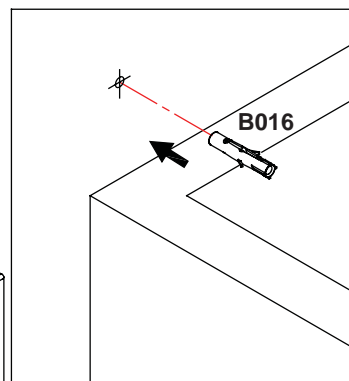
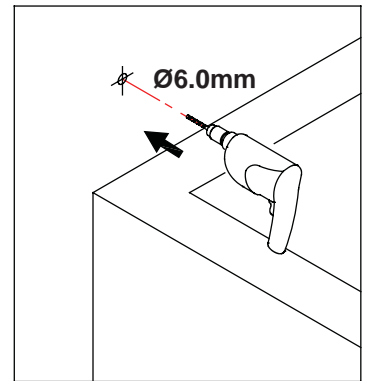
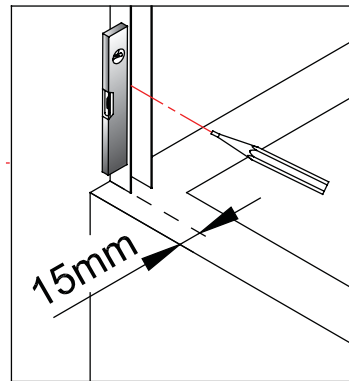
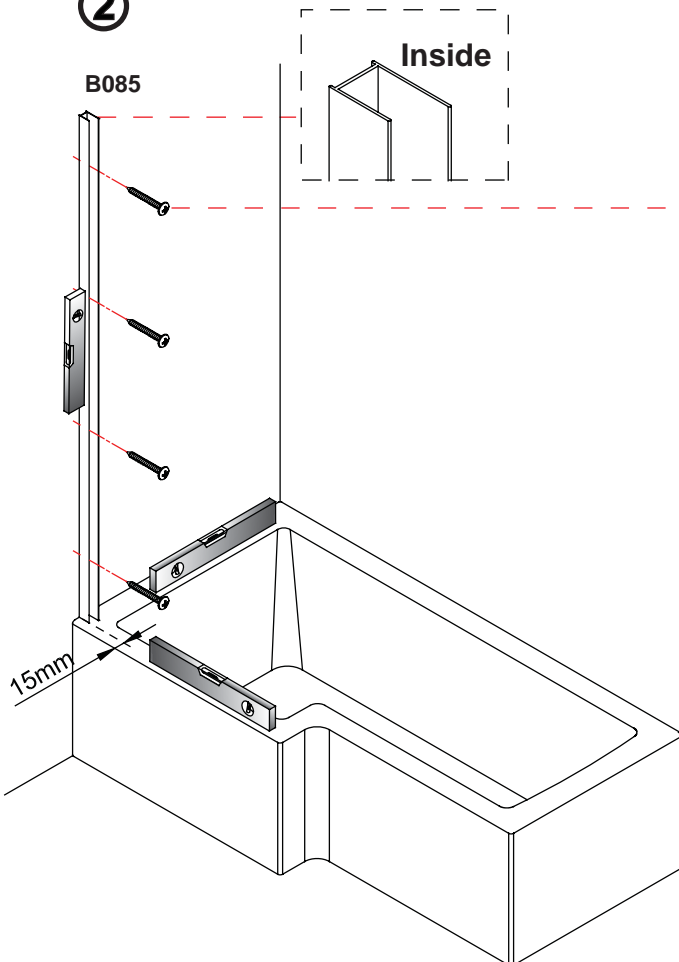
<b>B088</b>  1x	<b>B066</b>  4x ST4*30mm	<b>B089</b>  1x	<b>B029</b>  1x	<b>B090</b>  1x ST4*10mm	<b>B033</b>  1x
<b>B034</b>  1x ST4*35mm	<b>B052</b>  1x	<b>B085</b>  1x	<b>B013</b>  4x	<b>B012</b>  4x ST3.5*10mm	<b>B016</b>  5x
<b>B014</b>  4x ST4*50mm	<b>B091</b>  1x	<b>B093</b>  1x	<b>B094</b>  1x		

1

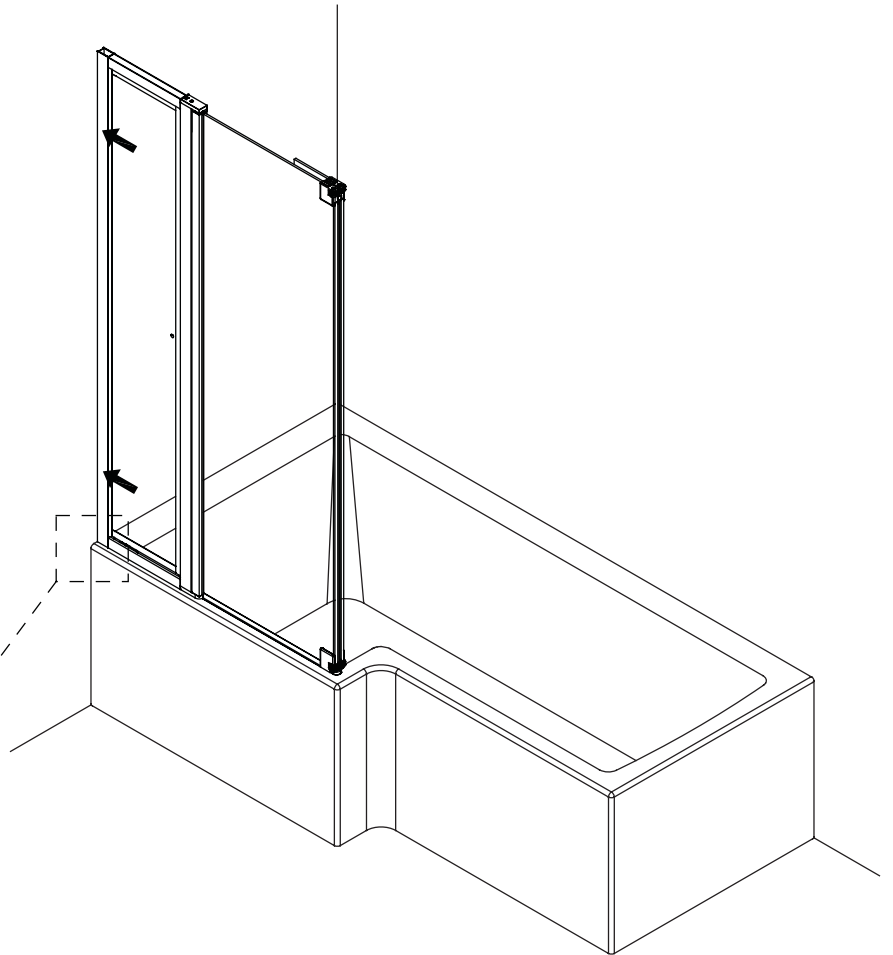
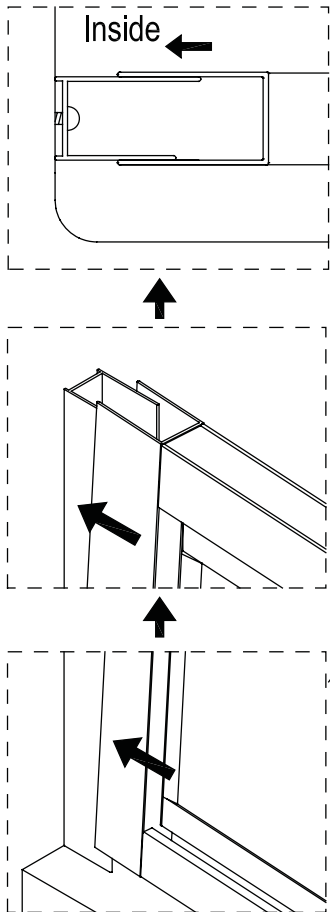
Ensure that the fixed panel with waterproof strip is positioned for assembly, so that the lip of the waterproof strip is going to be on the inside of the bath.



2



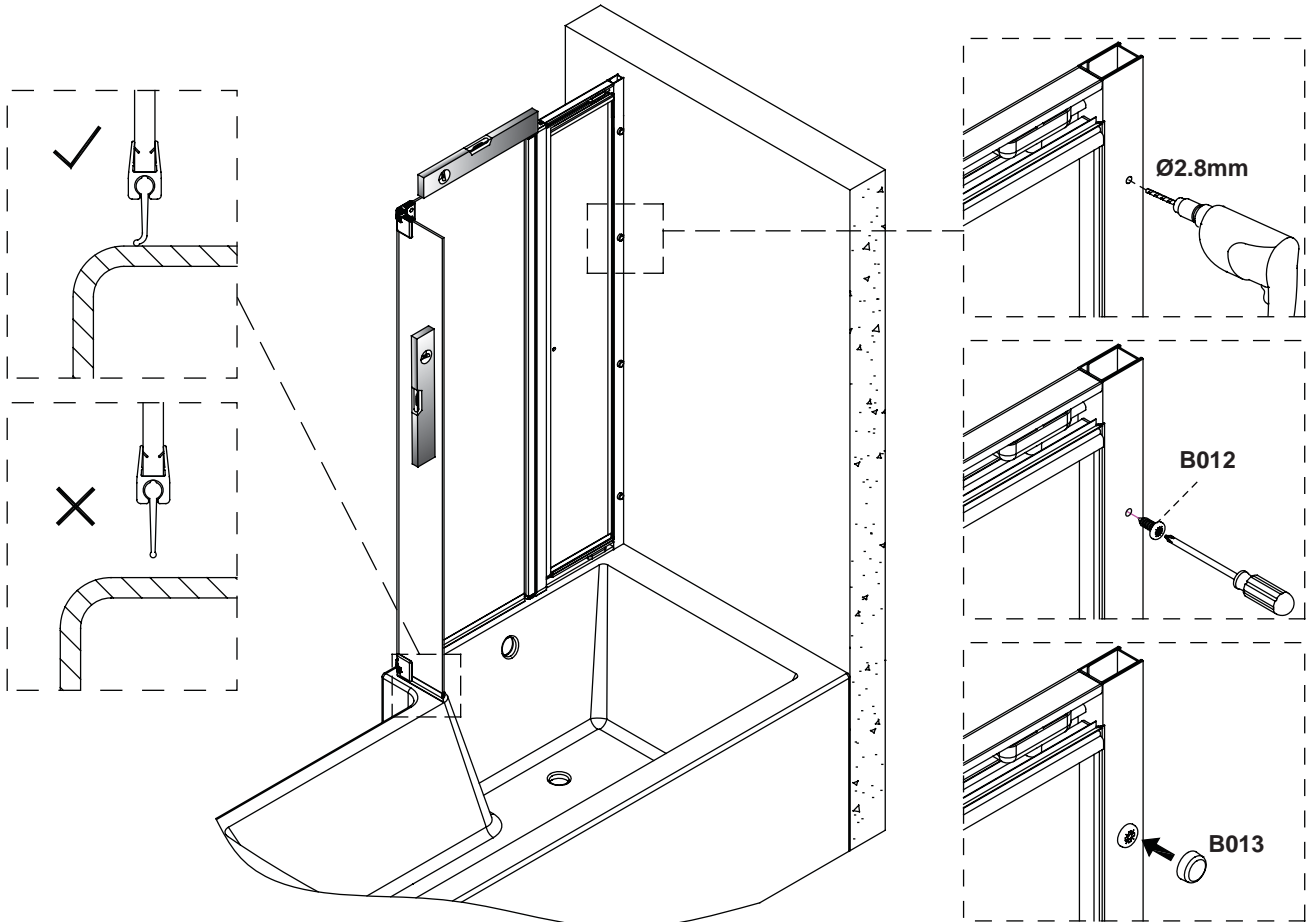
3



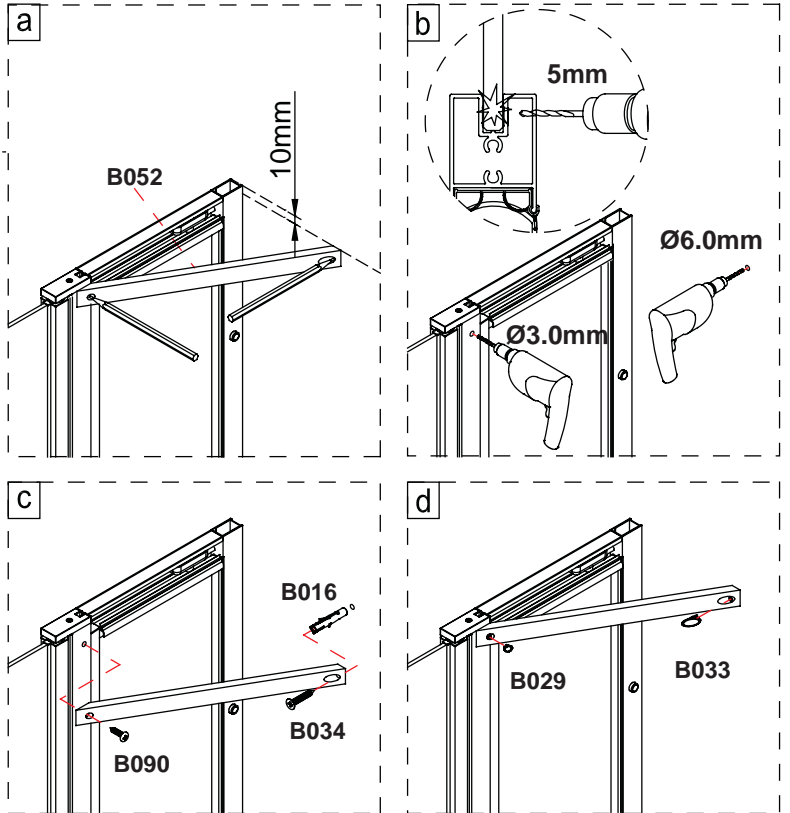
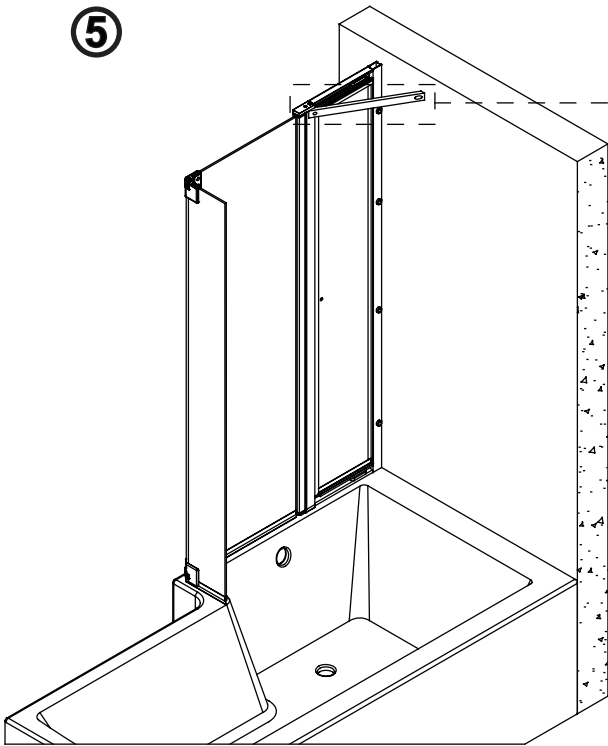
4



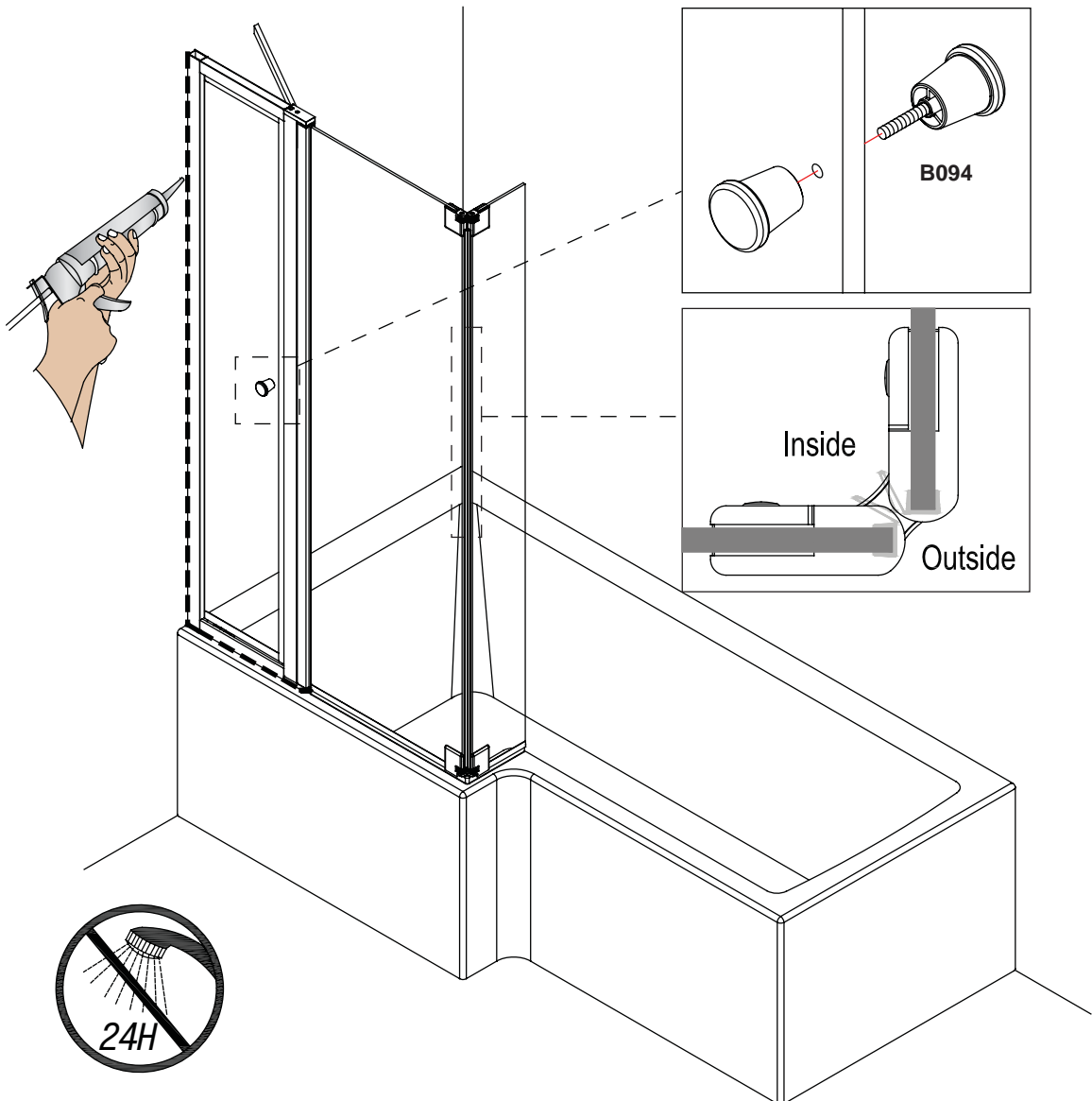
Firmly push the screen profile onto the wall profile, ensure the screen profile is as close to the wall as possible. Before securing the screen to the profile ensure that the gap between the screen and the bath is equal along its whole length.



5



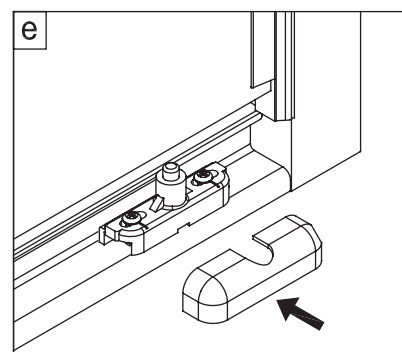
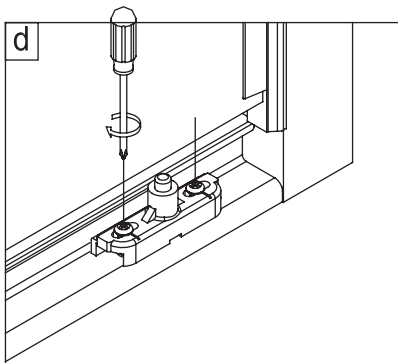
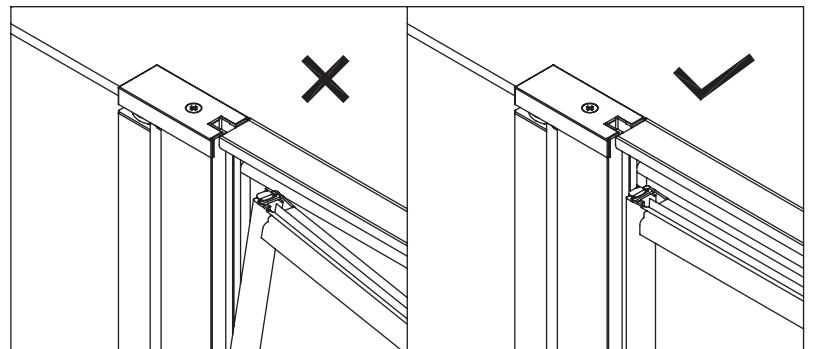
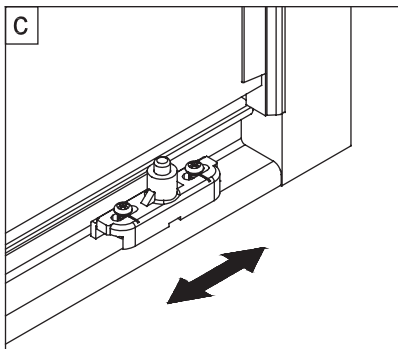
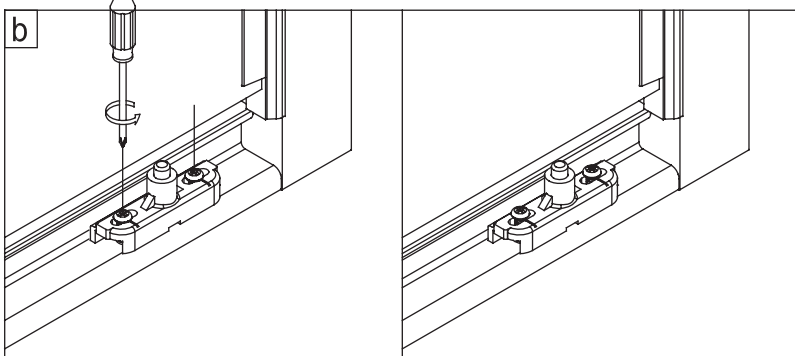
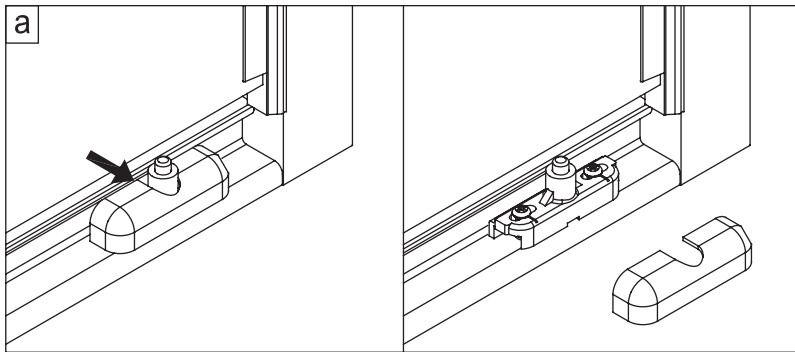
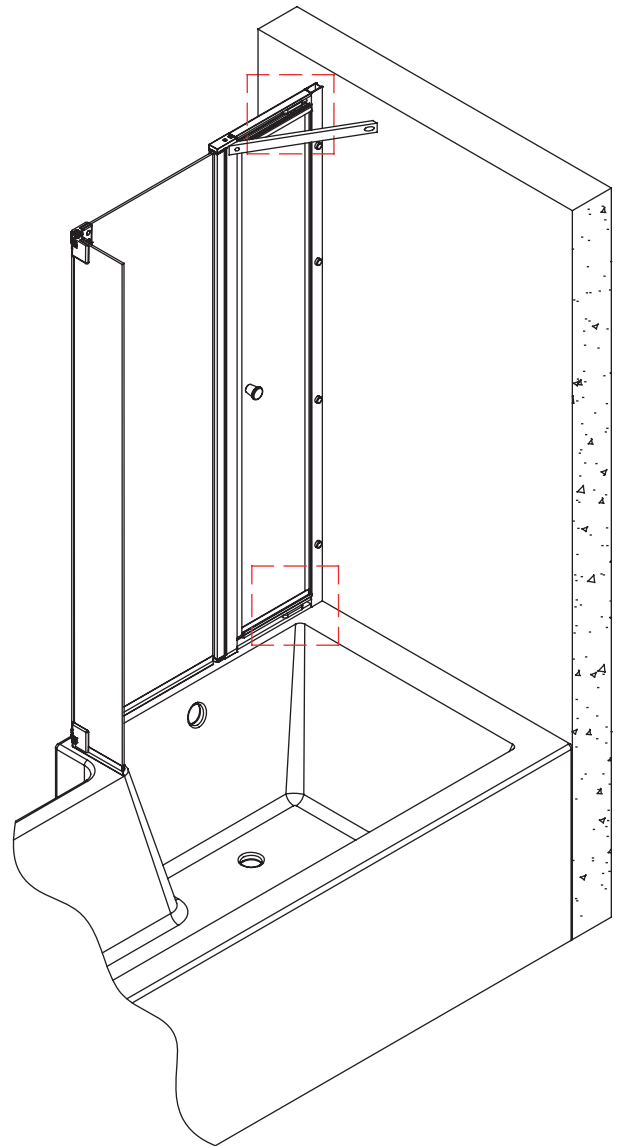
6



If the access panel is not square, which may happen during transportation or improper handling, please follow the below steps to adjust .



Note: Please loosen the screw slightly, do not take the screw out completely.



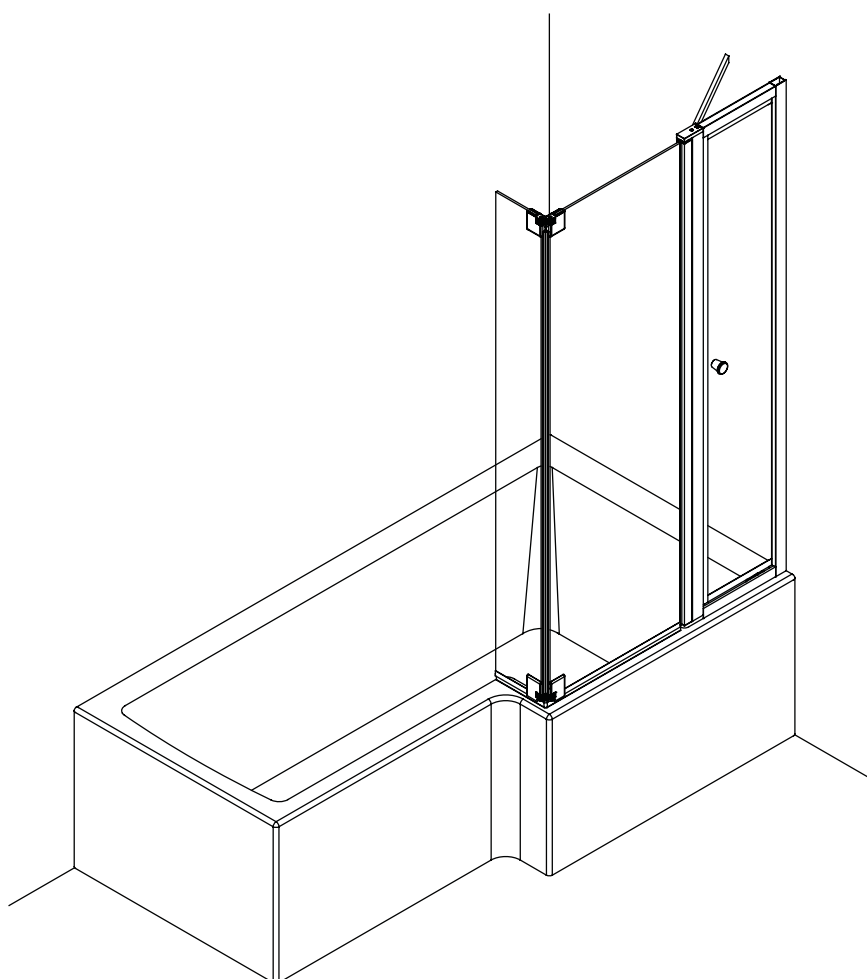
## EcoSquare Bathscreen RH - BS8

### Before Installation:

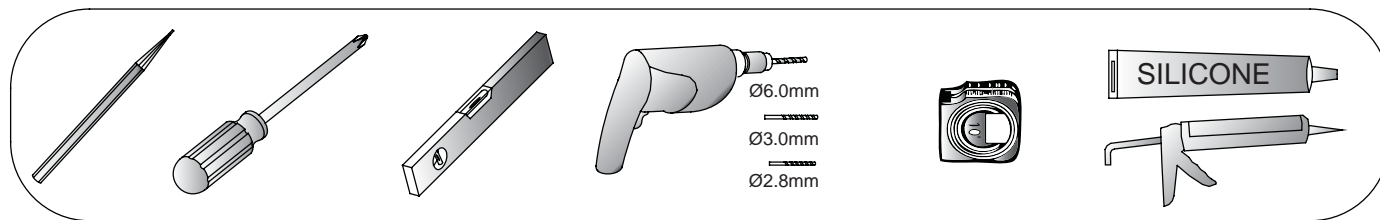
- Check the contents of the pack carefully before installation.
- The bath MUST be installed level and fully sealed to the tiles.
- Handle with care. Impacts can damage both the glass and the frame.
- Check for any hidden pipes or cables before drilling holes in the wall.
- The wall fixings supplied may not be suitable for your installation. You may need to source alternatives depending on the construction of the wall you are fixing to.
- Follow each step in turn.

### Care and Cleaning:

- Do not use solvents or abrasive material or chemicals to clean the enclosure.
- Only clean using soapy water and a soft cloth, rinse thoroughly afterwards.

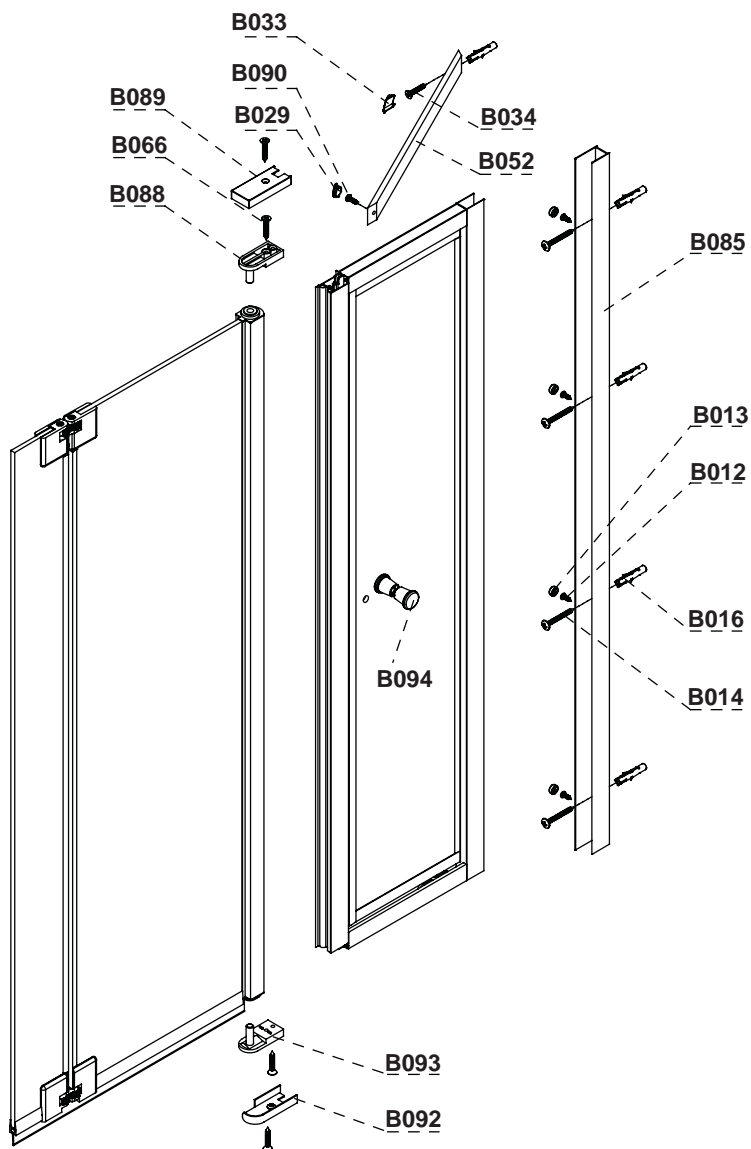


**Tools required:**



**Parts supplied:**

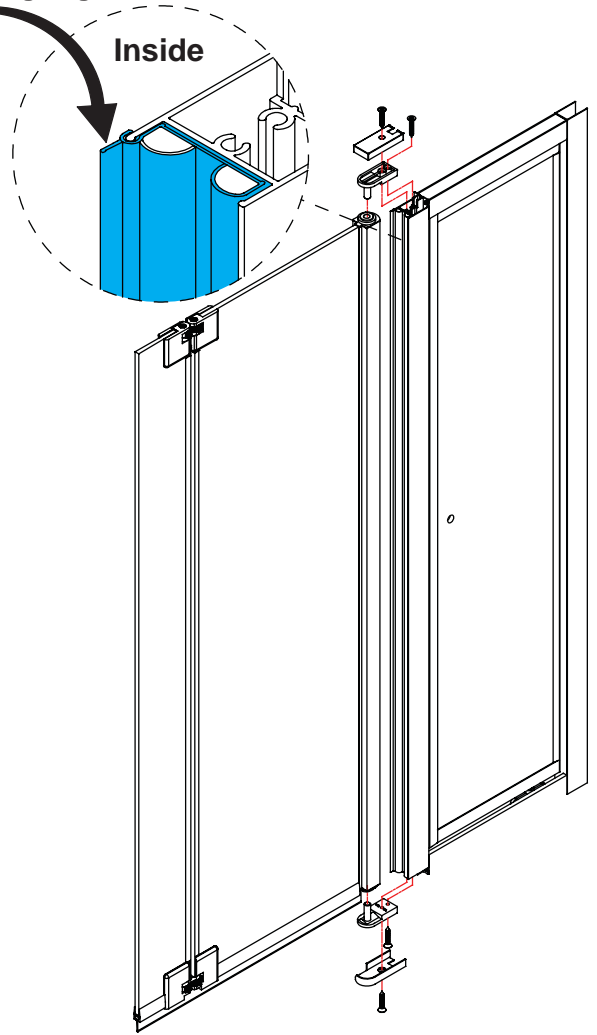
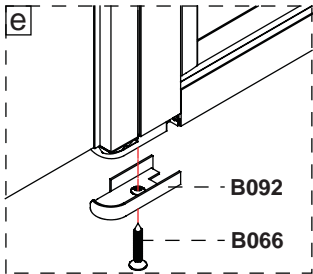
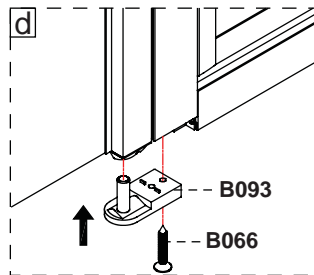
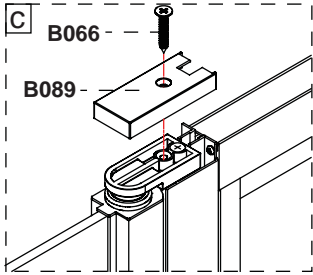
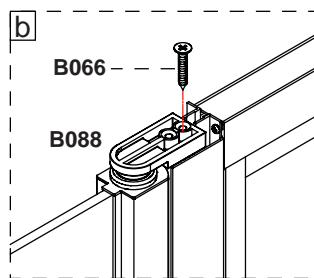
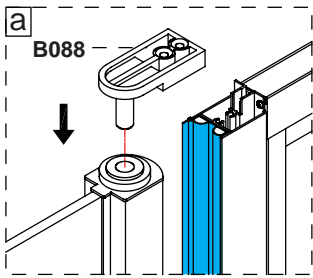
**EcoSquare Bathscreen RH - BS8**



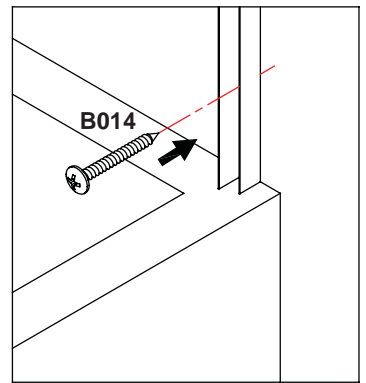
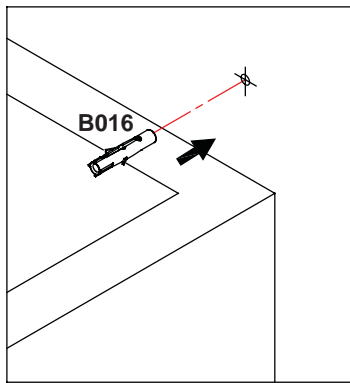
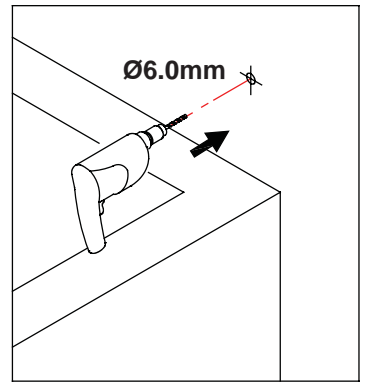
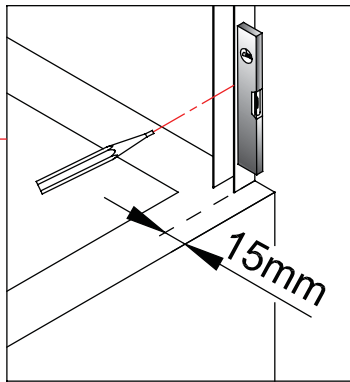
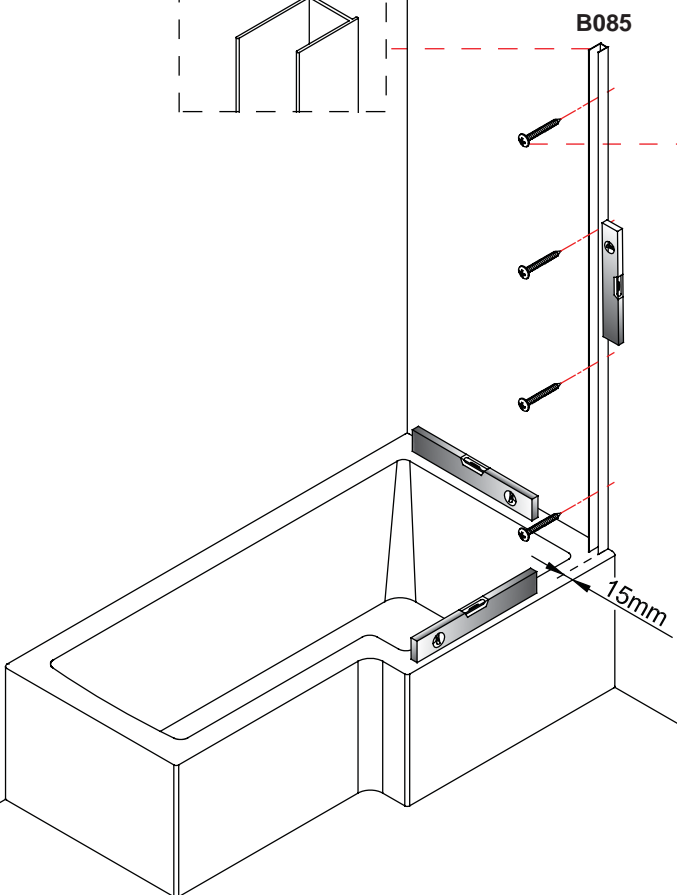
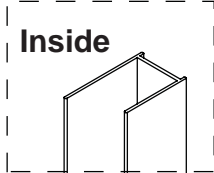
<b>B088</b>  1x	<b>B066</b>  4x ST4*30mm	<b>B089</b>  1x	<b>B029</b>  1x	<b>B090</b>  1x ST4*10mm	<b>B033</b>  1x
<b>B034</b>  1x ST4*35mm	<b>B052</b>  1x	<b>B085</b>  1x	<b>B013</b>  4x	<b>B012</b>  4x ST3.5*10mm	<b>B016</b>  5x
<b>B014</b>  4x ST4*50mm	<b>B092</b>  1x	<b>B093</b>  1x	<b>B094</b>  1x		



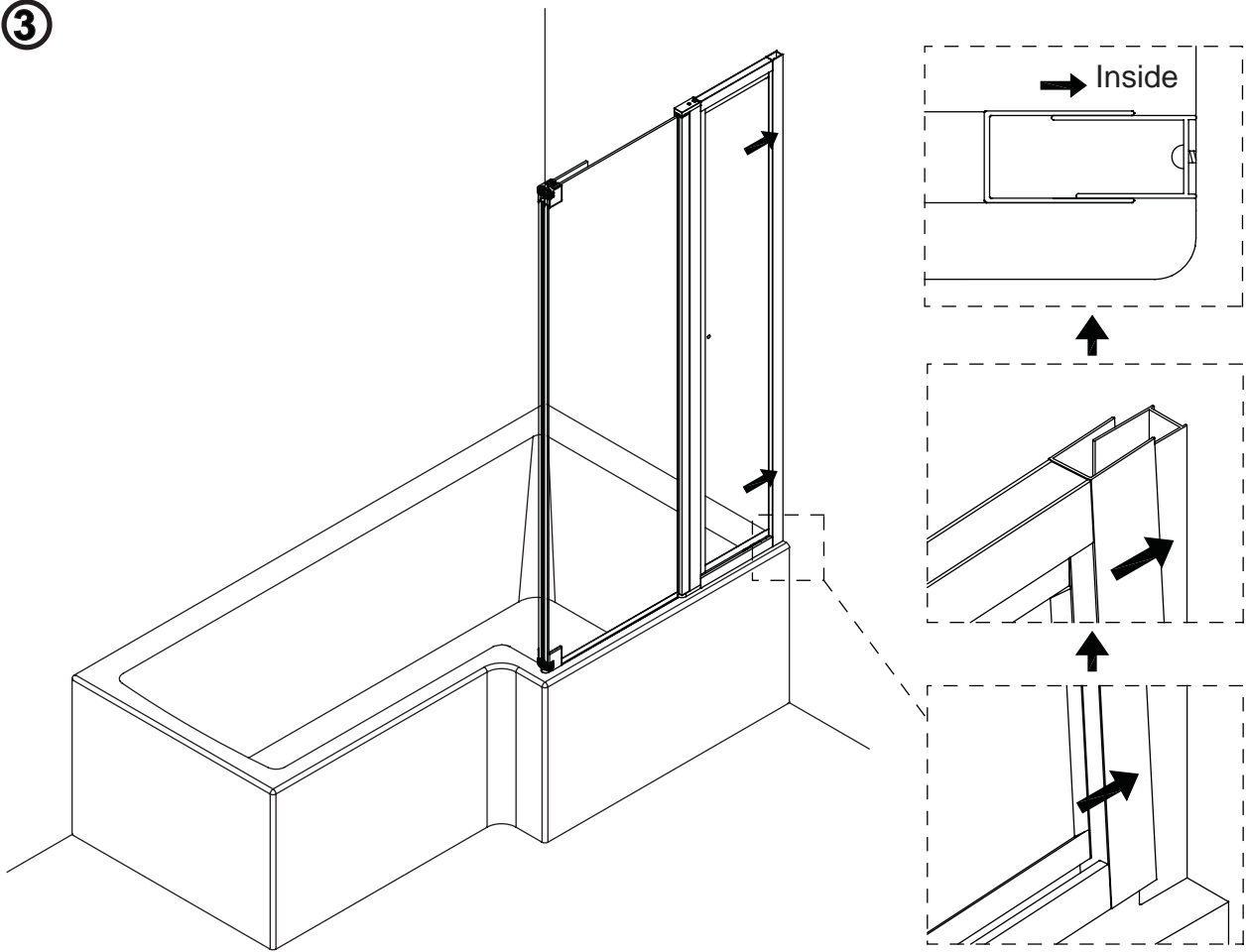
**1** Ensure that the fixed panel with waterproof strip is positioned for assembly, so that the lip of the waterproof strip is going to be on the inside of the bath.



**2**



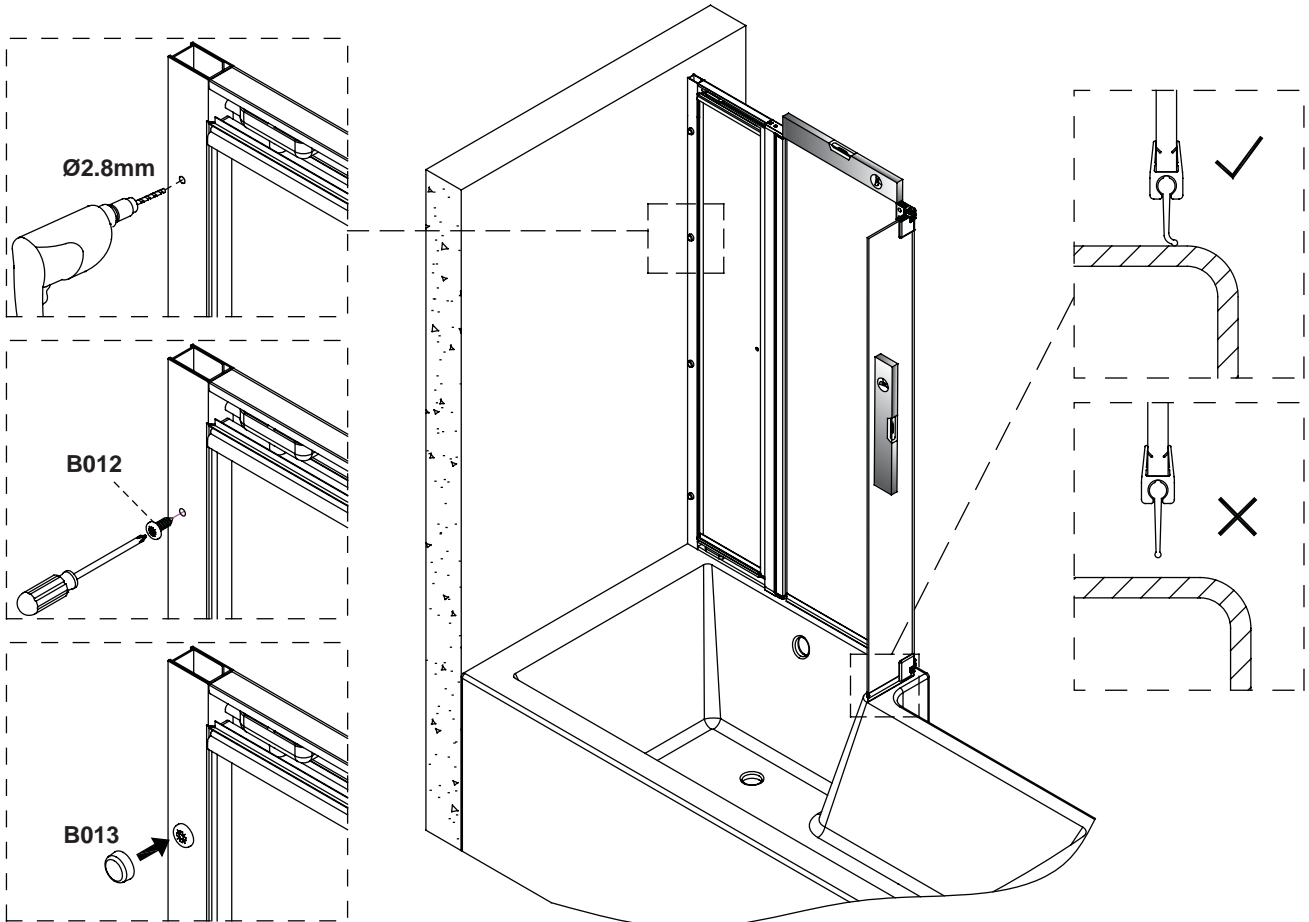
3



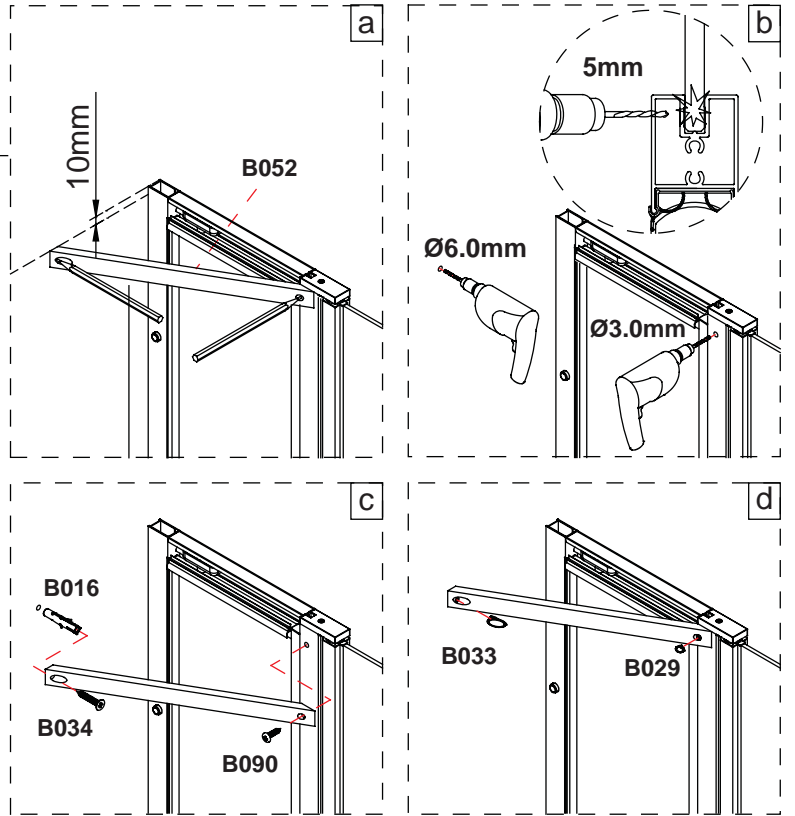
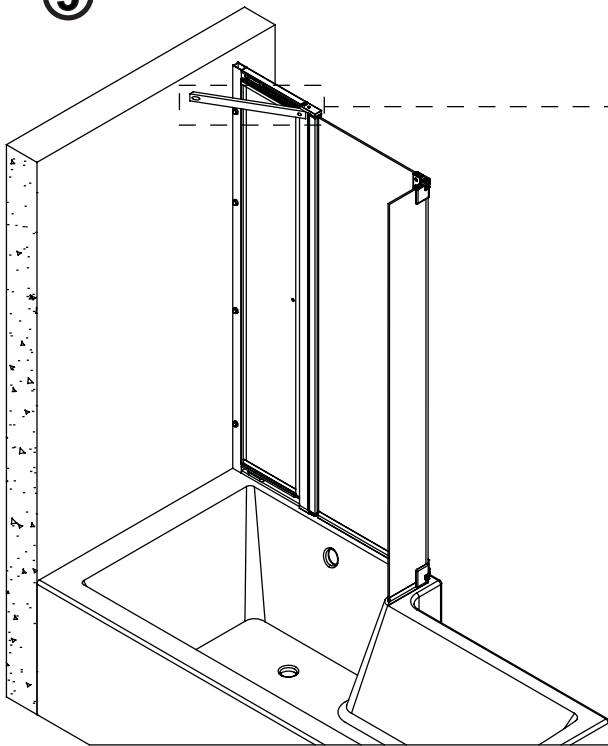
4



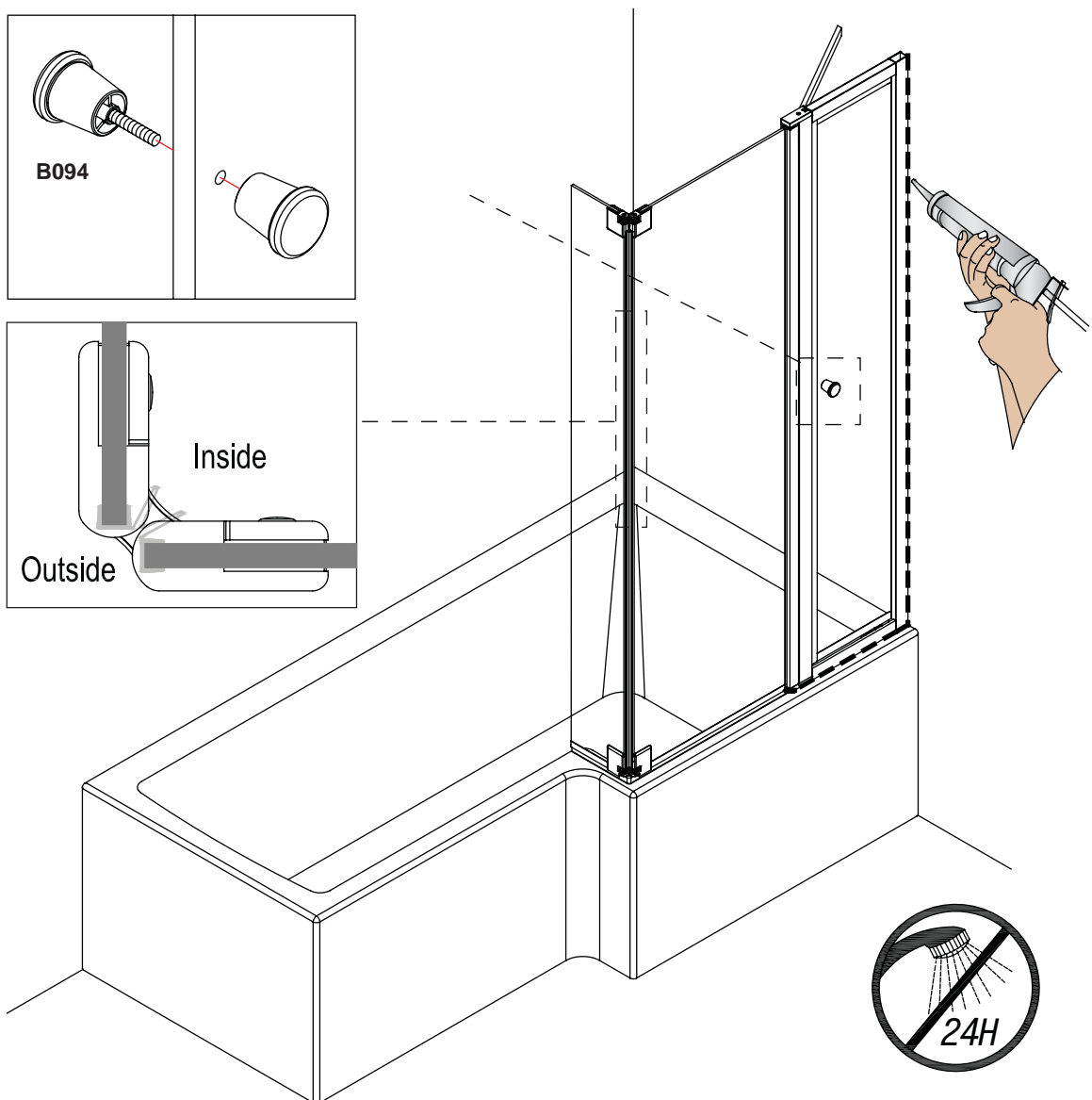
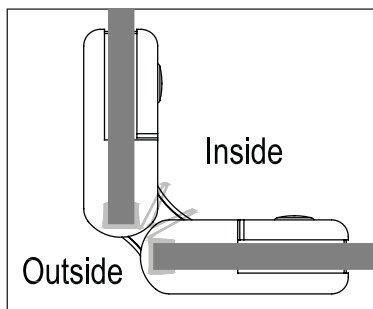
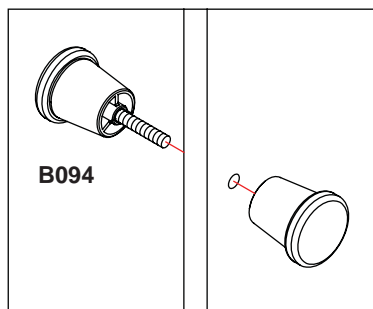
Firmly push the screen profile onto the wall profile, ensure the screen profile is as close to the wall as possible. Before securing the screen to the profile ensure that the gap between the screen and the bath is equal along its whole length.



5



6



If the access panel is not square, which may happen during transportation or improper handling, please follow the below steps to adjust .



Note: Please loosen the screw slightly, do not take the screw out completely.

