

HERITAGE[®]

BATHROOMS

Installation Instructions and User Guide

Models covered:

All Freestanding Baths

Please keep this booklet for future
Reference.

Installer: when you have read these
instructions please ensure you leave them
with the user.

Contents

When you buy a Heritage product, you can be confident that it not only features a beautiful, distinctive, classic design, but that it has also been made to the very highest quality standards. To ensure that it works to its full potential, it needs to be fitted correctly.

These fitting instructions have been created to give you all of the information you need and, if you need any further help, please do not hesitate to give us a call on **0844 701 8503**.

Safety Notice

Installer Guidelines

Installation

Maintenance

Guarantee

Notes





Safety Note

- Please read these instructions & retain for future use. All products manufactured & supplied by Heritage are safe, provided they are installed correctly, used correctly, and receive regular maintenance in accordance with these instructions.
- **If you are in any doubt about your ability to install this product safely you must employ the services of an experienced qualified plumber.**



Before starting any installation project please consider the following:

- Prior to drilling into walls, check there are no hidden electrical wires or cables or water supply pipes with the aid of an electrical detector.
- If you use power tools do not forget:
 - Wear eye protection.
 - Unplug equipment after use.
- This product must not be modified in any way as this will invalidate the guarantee.
- These fittings need to be installed in accordance with and meet the requirements of the Water Supply (Water Fittings) Regulations 1999 and Scottish Byelaws 2004.

Installer Guidelines

- Ensure the bath is adequately protected should you need to stand in it.
- Do Not allow paint strippers, spirits, dry cleaning agents, cleansers or bleaches to come into contact with the surface.
- If a blowlamp is used when plumbing, the flame must be kept well away from the fixture.
- Use a silicone sealant to ensure a watertight joint between the rim and the wall.
- When making joints to the waste fitting use only the washers provided and an approved sealing compound. **DO NOT** use boss white, linseed oil putty or similar oil based compounds. Avoid excessive force when tightening plastic nuts.
- Please ensure that installation design is such that future serviceability of the product is considered. In the event of a claim under the product warranty terms, removal costs will be restricted to reasonable levels where installation design results in disproportionate costs.
- Failure to observe the installation instructions will nullify your guarantee.



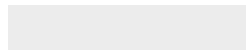
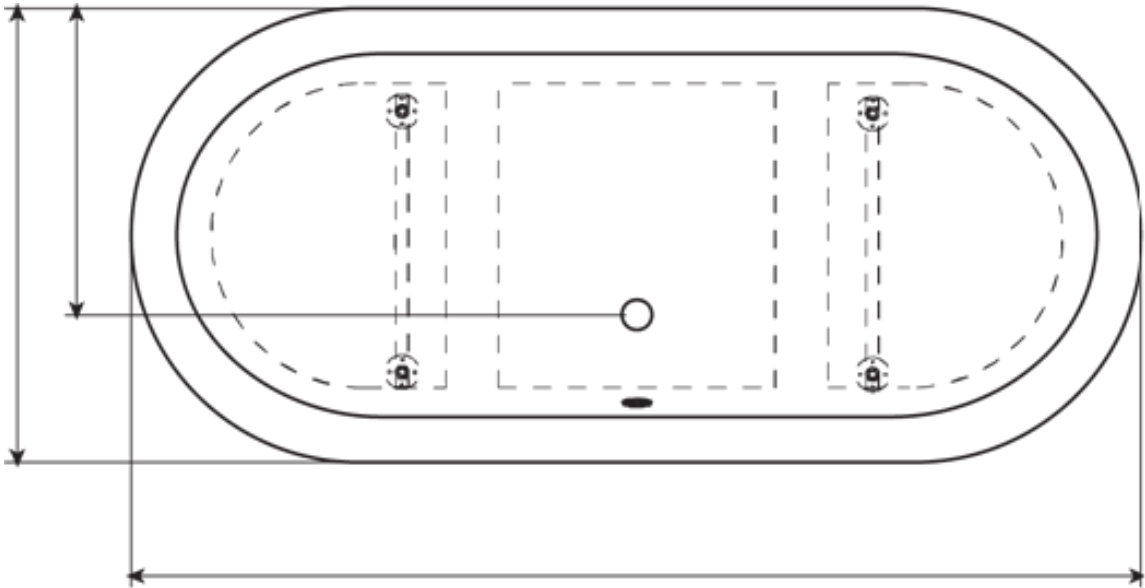
Installation.

Every care has been taken to ensure that your bath arrives in perfect condition. Before installation please remove protective packaging from the bath and inspect. We will not accept responsibility for the installation of faulty or damaged baths. We recommend the bath be recovered for protection during the installation.

1. Tools Required.

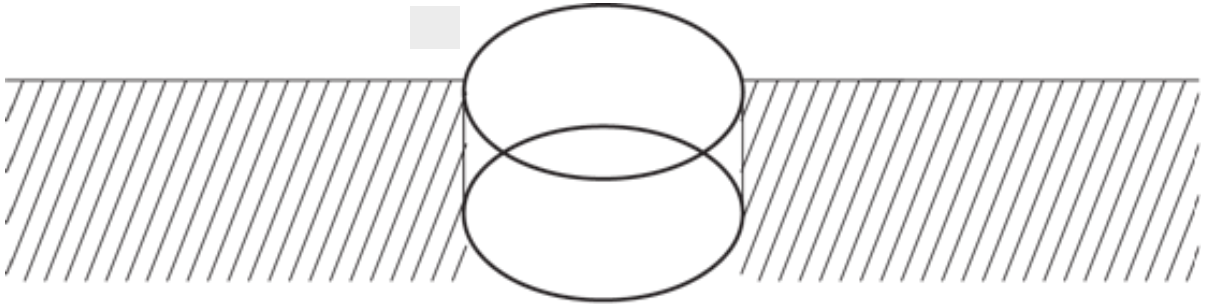


2. Measure the size of drain hole

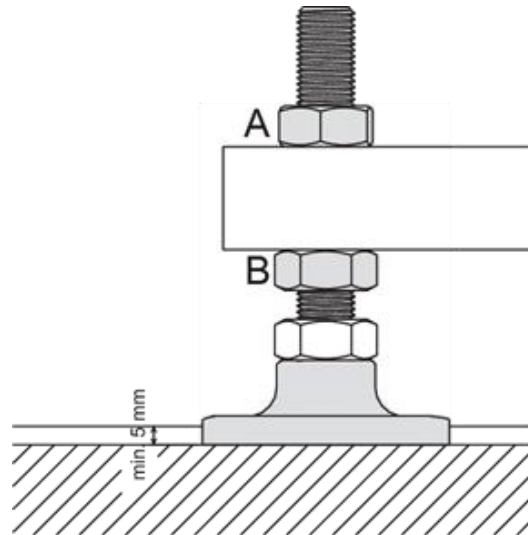




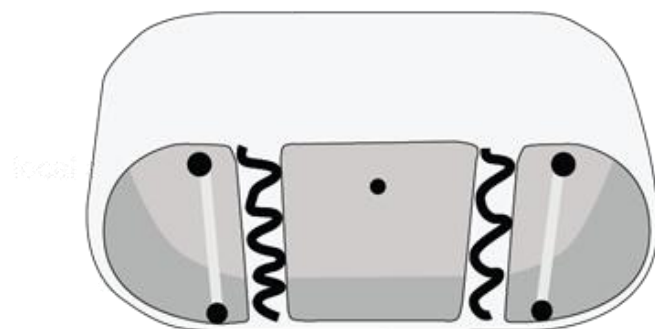
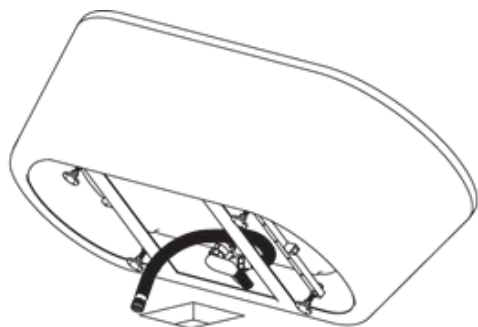
3. Drill the drain hole on the floor.



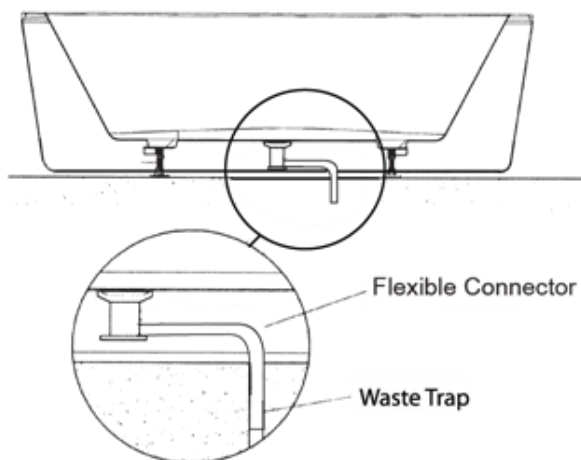
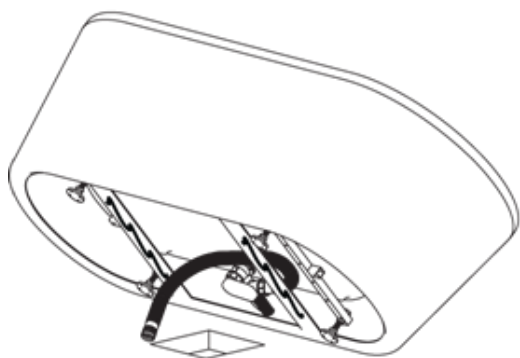
4. Adjust the bathtub feet.



5. Inject fixing glue on the bottom of the bathtub

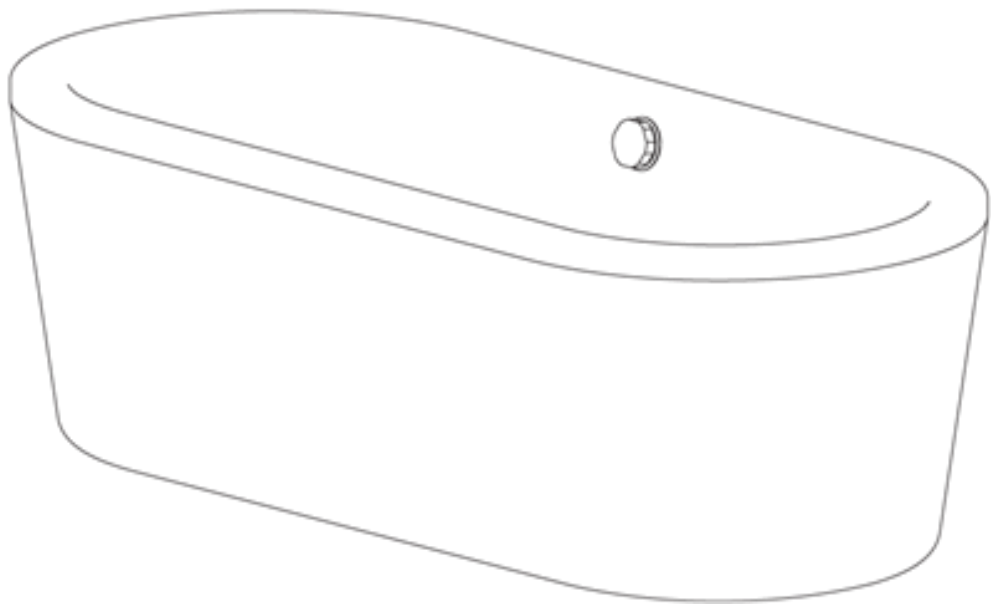


6. Insert the drain pipe into the drain hole.





7. Position the bathtub in the desired location.



Installation Instructions for double ended roll top baths with ball & claw feet.

Tools Required: Adjustable Spanner.


1. Attach the brackets, to the base of the bath & secure with the nuts & washers supplied with the bath.
2. Align the feet, with the location holes in the fixing brackets & secure with the bolts & washers supplied.
3. Adjust the feet on all designs to align the bath & secure in position by tightening the locknut.





Maintenance

Caring for your Bath.

1. It is recommended each time you use the bath to cover the base with cold water before turning on the hot tap.
2. For everyday cleaning we recommend using a damp cloth and warm soapy water.
3. You should never use abrasive cleaners on your bath, they will scratch the surface.
4. If you do scratch the bath use a small amount of T-Cut, this will help restore your bath to a lustre finish.
5. Replace worn washers on dripping taps to prevent surface marking.
6.  **WARNING:** Solvents such as paint stripper and nail varnish will damage your bath.



Heritage Bathrooms Guarantee

When you buy a Heritage product, you can be confident that it not only features distinctive design, but that it has also been made to meet our rigorous quality standards.

We offer robust guarantees and an attentive aftercare service to ensure that if you do experience any issues, we can deal with a problem quickly, and effectively.

Please note that guarantees are only valid with proof of purchase.

Our guarantees are as follows:



2 Years on
Mirrors &
WC Seats



5 Years on
Bath Screens,
Furniture,
Shower Valves,
Taps, Wastes
& Accessories



Lifetime Guarantee
on Acrylic &
Cast Iron Baths
And Sanitaryware

Register now for additional peace of mind

Register your product with us now and, if you do have any queries after installation, we'll be able to quickly identify the product and give you the best advice. It also means that you won't have to keep your proof of purchase to validate your guarantee. To register, simply go online at www.heritagebathrooms.com/register

Guarantee Terms and Conditions

This guarantee is in addition to your statutory and other legal rights and is subject to the following conditions:

- The product was purchased within the United Kingdom or Republic of Ireland
- The product is used in domestic applications only
- The guarantee applies solely to the original purchaser with proof of purchase
- The installation must allow ready access to all products for the purpose of inspection, maintenance or replacement
- Repair under this guarantee does not extend the original expiry date. The guarantee on any replacement parts or product ends at the original expiry date

Any part found to be defective during the guarantee period will be replaced without charge, providing that the product has been installed in accordance with the instructions given in this guide and used as the manufacturer intended. If the product is no longer available, Heritage will endeavour to provide the nearest equivalent.





Heritage Bathrooms Guarantee Cont.

The guarantee does not cover:

- Damage or defects caused by
 - General wear and tear (including special non-chrome finishes; components such as filters, seals, 'O' rings and washers)
 - Incorrect installation
 - Repair using non-Heritage parts
 - Accidental or wilful misuse
 - Corrosion and the use of inappropriate cleaning products.
 - System debris including the build-up of limescale (which can be controlled through regular servicing and maintenance)
- Compensation for loss of use of the product or consequential loss of any kind.

In the interests of continuous product improvement, Heritage reserves the right to alter product specifications without notice.

Need help?

In the unlikely event that you encounter a problem with your Heritage product, you must, in the first instance, contact the retailer you purchased it from. They will advise as to whether it is due to a manufacturing fault or an installation fault. If the problem is due to a manufacturing fault, they will contact us to arrange a supply of a replacement product as soon as possible. To speak to a Heritage customer service advisor, please contact our technical helpline on **0844 701 8503**.





Heritage Bathrooms
Birch Coppice Business Park
Dordon
Tamworth
B78 1SG

Website: www.heritagebathrooms.com

Telephone: 0844 701 8503

Email: technical@heritagebathrooms.com

HFI (FS BATH) - REV.D1

