

Basin & Pedestal/Semi Pedestal

Fitting Instructions



Before starting any installation project please consider the following:
Prior to drilling into walls, check there are no hidden electrical wires or cables or water supply pipes with the aid of an electrical detector.
If you use power tools do not forget:

- Wear eye protection
- Unplug equipment after use

Please keep these instructions for future reference and request of replacement parts



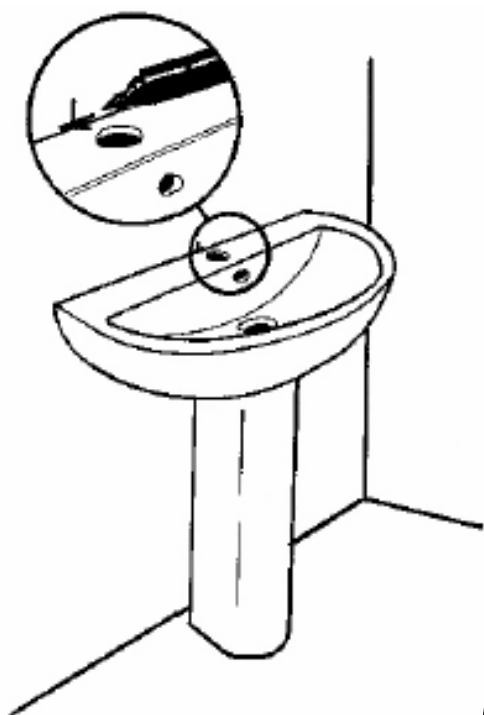
Basin Fitting Instructions for:
Basin & Pedestal/Semi Pedestal

Please ensure these instructions are followed carefully - if you are unsure about any aspect of the installation, please consult a qualified installer.

NOTES

- Consider and plan the installation of your basin taps and basin waste-pre installing them prior to fixing your basin may be required.
- Use wall fixings suitable for your wall construction.
- Do not over tighten wall fixings, taps or wastes onto ceramic surfaces
- For Semi - pedestal installation - see overleaf
- Use a non permanent marker or pencil for marking.

Standard Pedestal Installation



1. Place the basin on the pedestal and move into the required position in your bathroom.
2. Ensure the basin is correctly positioned on the pedestal. Ensure it is level and its back is in full contact with the wall.
3. Carefully mark the centre of the basin on its tap ledge and extend this line up where it meets the wall.
4. Carefully mark a horizontal line on the wall above the back edge of the basin.
5. Remove the basin leaving a mark on the wall in the shape of an inverted 'T'.

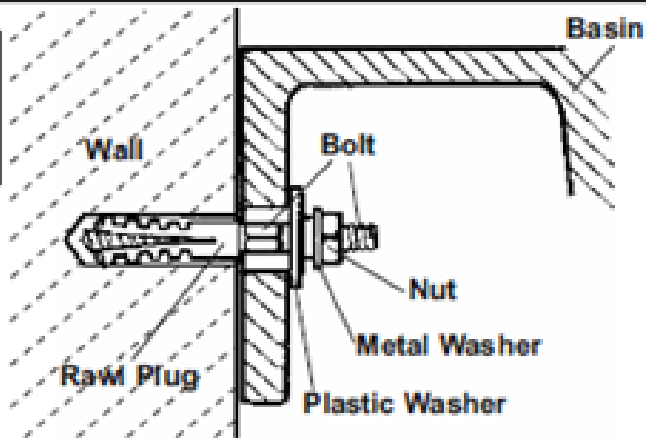
Mark the position of the bolt/screw holes with a pencil.

The basin is secured to the wall using either screws or a bolt hole fixing kit (NOT SUPPLIED WITH EVERY BASIN).

Where bolt hole fixing system is used.

N.B. The bolt assembly may not be supplied.

Please use suitable fixings to take the weight of the product and for the type on wall it is been installed onto.

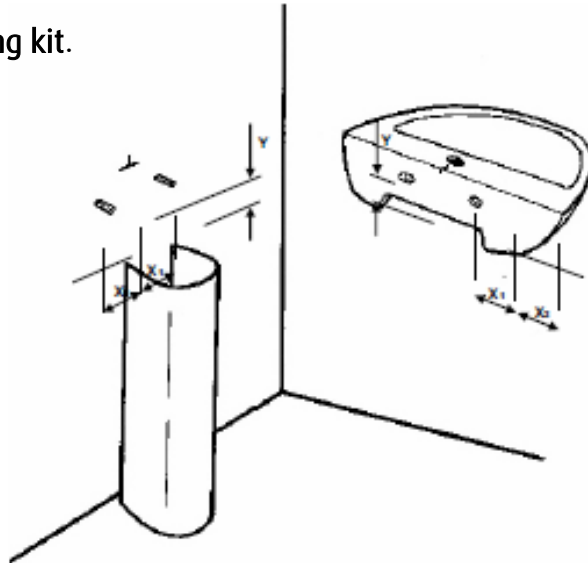


N.B. On Some basins the sleeve on the Plastic washer wont fit through the Fixing Hole of the basin - simply remove with a hacksaw if this is the case.



Standard Pedestal Installation cont`

- For bolt hole fixing kit.



6. On the back of the basin draw a horizontal line through the centres of each fixing hole and a vertical line directly down the original centre mark on the tap ledge.
7. Measure a vertical dimension `Y` on the basin (distance down from the centre tap ledge to the centres of the fixing holes) and then
8. Measure the horizontal X1 and X2 on the basin (distance from the centre line of the basin to the centres of each fixing hole).
9. Using the bottom centre of the inverted `T` as a start point, mirror these dimensions on the wall. These are the two positions where the fixing bolts should be located. See diagram above.
10. Drill the wall to take the fixing bolts and rawl plugs (not supplied). Install the fixing bolts leaving sufficient thread showing to locate the basin and secure the washer and nuts.
11. Relocate the basin on to the pedestal, and secure the basin to the wall. See diagram on bottom of front page for details of basin bolt fixing.

For screw fixing:

- Drill the wall at the position marking the screw holes and use the appropriate fixing for the wall type.

Please ensure these instructions are followed carefully - if you are unsure about any aspect of the installation, please consult a qualified installer.

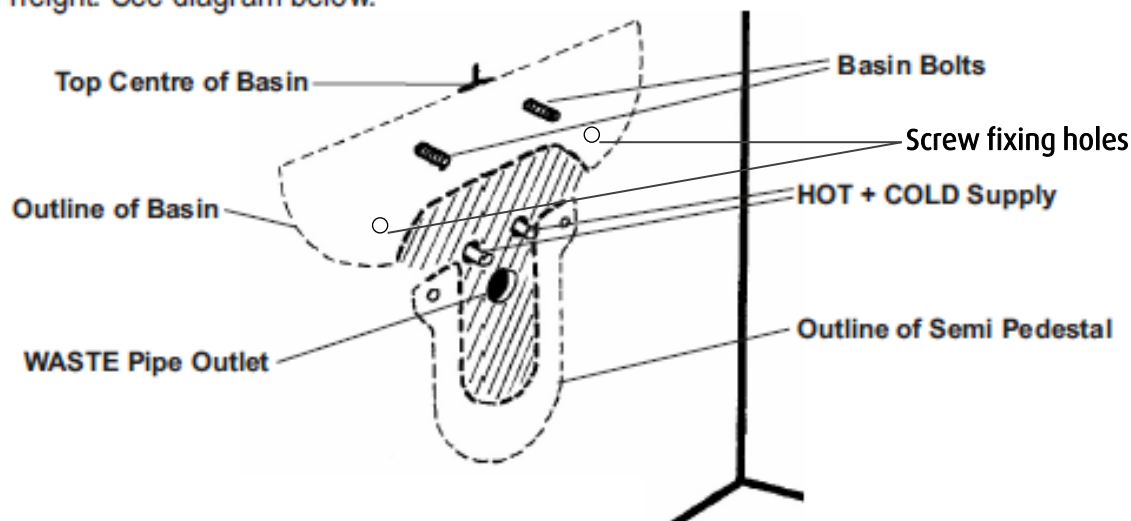
NOTES

- Consider and plan the installation of your basin taps and basin waste-pre installing them prior to fixing your basin may be required.
- Use wall fixings suitable for your wall construction.
- Do not over tighten wall fixings, taps or wastes onto ceramic surfaces
- For Semi - pedestal installation - see overleaf
- Use a non permanent marker or pencil for marking.

Semi Pedestal Installation

N.B. Careful planning is required to ensure HOT and COLD supply and waste pipe outlets are contained within the confines of the semi pedestal. The simplest way to establish the necessary positions for all fixings and feed is as follows:

1. Lay the basin and pedestal, as if they would be assembled, on their backs on a large piece of paper on the floor.
2. Using a pencil trace all the way around the outline of both the basin and semi pedestal, including the underside of the basin and the inside of the semi pedestal.
3. Carefully mark the centre of the basin on its tap ledge and extend this line of its outlet on the paper.
4. Assemble your waste and bottle trap onto basin and mark the centre line of its outlet on the paper.
5. Transpose this information onto the wall into your desired position in the bathroom. Ensure the information is straight and that the top line of the basin is at the correct height. See diagram below.



Semi Pedestal Installation cont`

6. Plumb in the HOT and COLD supply such that they emerge from the wall with in the shaded area on the diagram.

7. Plumb in your WASTE pipe outlet with in the shaded area and along the centre line that you previously established.

8. Secure the basin to the wall following the steps on previous pages for the bolt hole Or screw fixing types.

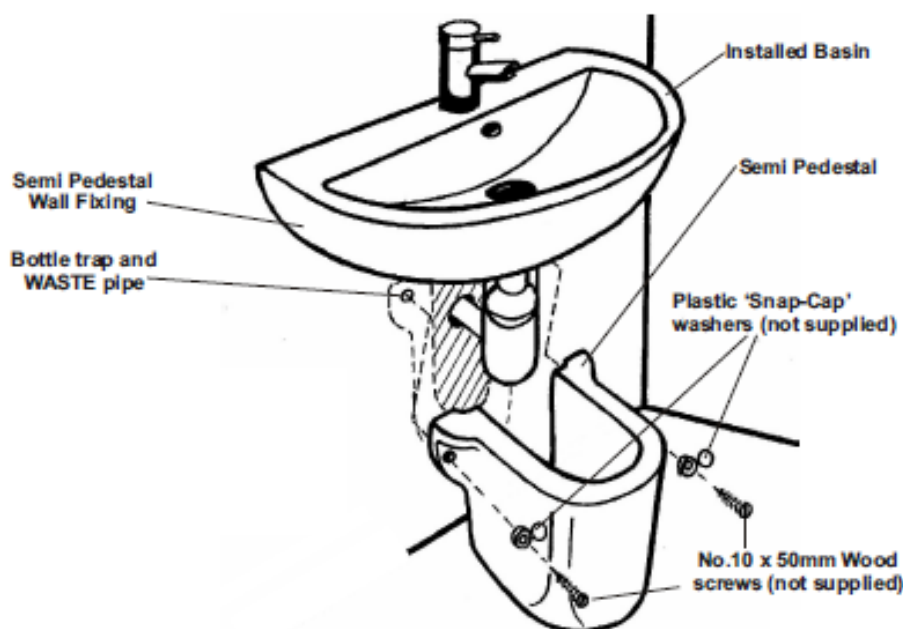
N.B. It may be easier to secure your taps and waste to the basin prior to fixing the basin to the wall.

9. Once the basin is secured to the wall make your HOT and COLD supply and WASTE pipe outlet connections.

For screw fixing holes:

10. Place the semi pedestal in position, mark the centres of the 2 x wall fixing holes and secure to the wall. See diagram below.

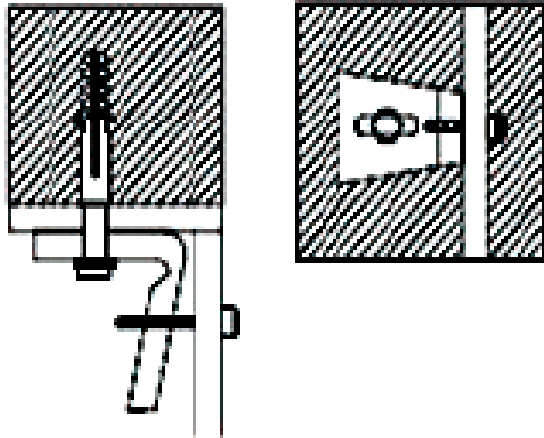
For stud walls screw direct into timber frame. For masonry walls use an appropriate Rawl plug. Use a plastic or rubber washer between the head of the screw and the ceramic surface. White 'Snap-Caps' - washers with integrated cover caps would be ideal to hide the head of the screw once installed.



For horizontal semi-pedestal fixing:

Where fixing brackets are supplied.

Caution: Care should be taken when drilling into walls and floors to avoid any sunken wires or pipes. The fixings supplied with this pack are for solid walls only. Plasterboard or stud walls may require specialist fixings (NOT SUPPLIED).



Pedestal.

1. Place the pedestal under the basin and mark the position of the screw holes and other edge of the pedestal.
2. Secure the brackets using the hexagonal head screw and washers, the plastic plugs are for use when fixing to solid walls.
3. Replace pedestal into position and secure using countersunk head screws and caps.

NOTE: semi-ped is not a load bearing fixture after installation. Ensure specified fixing for washbasins are used.

Technical Data



Drill
Ø10mm



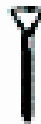
Plastic plug
S10 2-off



Hexagonal head
screws 6x50mm
2-off



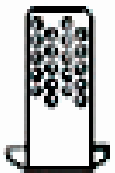
Washers
2-off



Countersunk head
screws 5x50mm
2-off



Cap covers
& bushes
2-off



Fixing brackets
2-off

Aftercare Instructions.

Your fitting has a high quality finish and should be treated with care to preserve the visible surfaces.

All surface finishes will wear if not cleaned correctly, the only safe way to clean your product, is to wipe with a soft damp cloth. Stains can be removed using washing up liquid. All bath cleaning powders and liquids can damage the surface of your fitting even the non-scratch cleaners.

Guarantee.

All products are manufactured to the highest standards and a 25-year guarantee covers any defect in manufacture.

Contact Details.

If you require further assistance please contact Heritage Sales and Technical Enquiries:

Sales : 0844 701 8501

Technical: 0844 701 8503

Email: Technical@heritagebathrooms.com

Website: www.heritagebathrooms.com

**Heritage Bathrooms
Unit 6 Albert Road
St Philips Central
Bristol
BS2 0XJ**



Close Coupled WC Sainitaryware

Fitting Instructions



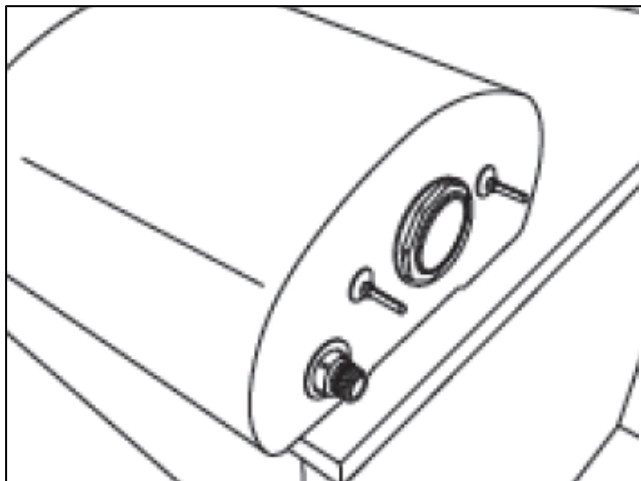
Before starting any installation project please consider the following:
Prior to drilling into walls, check there are no hidden electrical wires or cables or water supply pipes with the aid of an electrical detector. If you use power tools do not forget:

- Wear eye protection
- Unplug equipment after use

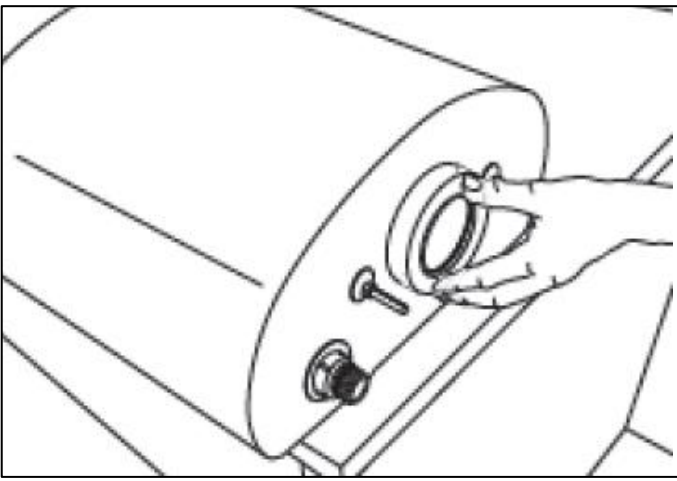


This is a heavy product & will require a two man lift.





1. Position the cistern on its back to allow fitting of the base coupling fittings. Fit the close coupling bolts from the inside of the cistern with the washers assembled as per the diagrams 1&2. (The actual kits vary depending on whether it is a lever or push button operated flushing system).



2. Locate the large foam seal and place this over the plastic cistern outlet positioned in the centre. The foam seal should fit flush with cistern base.

Diagram 1.

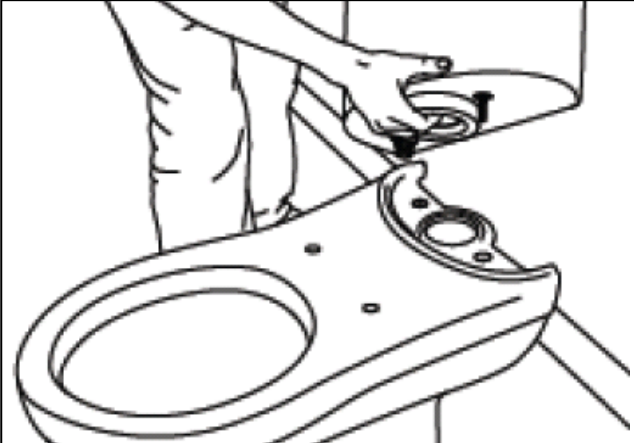
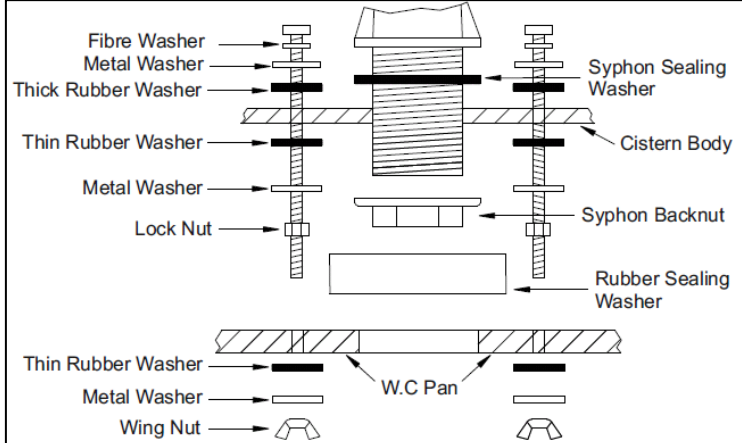
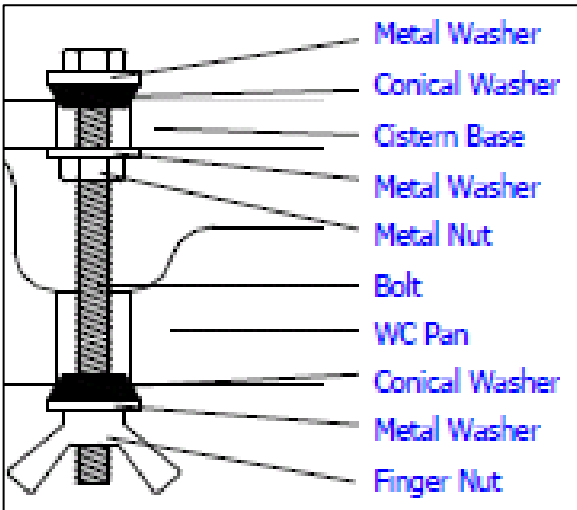


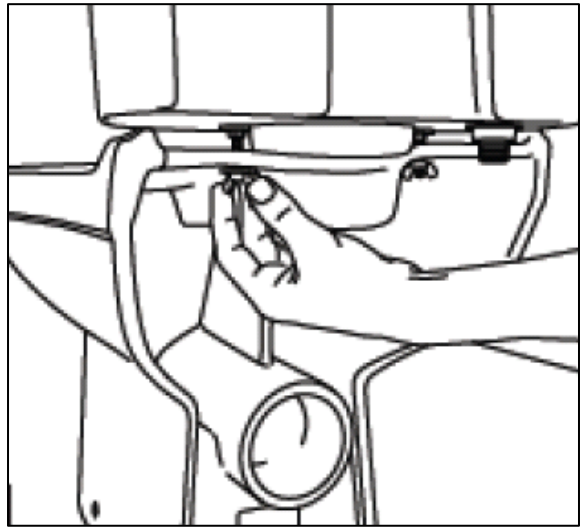
Diagram 2.



3. Position the cistern body onto the close-coupled pan. The two threaded bars should fit smoothly through the two corresponding holes on the cistern platform of the pan.



4. Gently lower the cistern body into place, keeping it supported to prevent it falling.



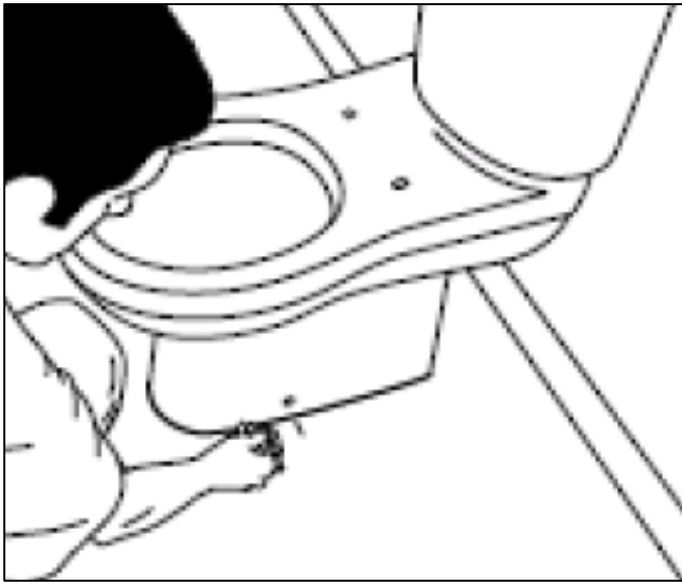
5. Fit the washers and wing nuts to the underside of the cistern and tighten to finger tight.



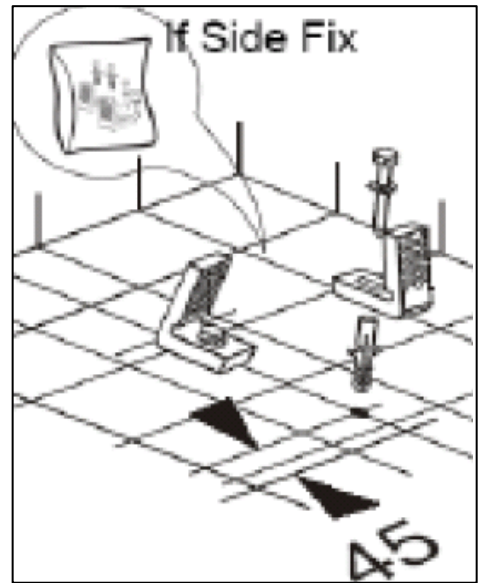
6. Position the close coupled pan in the desired location against the wall and align with the water supply and outlet connections.



7. Check that the cistern is level and mark the position of the holes for the cistern fixing screws.



8. Draw a line around the base of the pan to clearly mark the final position, and mark the position of the screw holes or proceed to step 9 if side foot fixing hole fixings are used.



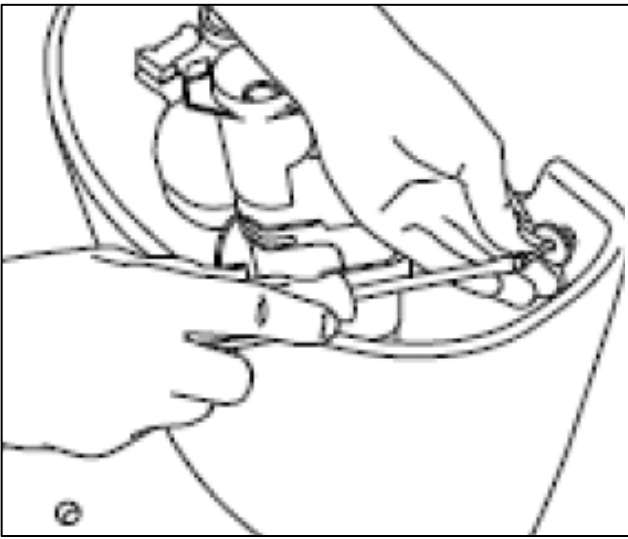
9. Having marked the position of the screw hole, mark the centre of the side foot bracket hole on the floor on both sides. Drill the floor and tap in the plastic plugs, or drill holes for the foot screw depending on the fixing type.



10. Drill the wall on the marks where the cistern is to be fitted to the wall.

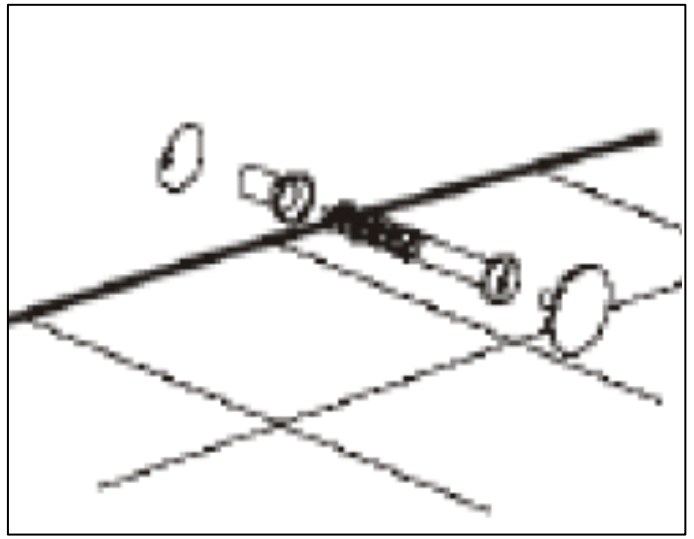


11. Return the pan to the desired location, make the plumbing connections and ensure that they are water tight. We recommend that this process is always carried out by a professional plumber/installer. Ensure the water supply pipe is free from dirt by flushing water through it before connecting to the cistern inlet valve.



12. Fix the cistern to the wall with screws and washers (not supplied). Ensure that the cistern is not pulled backwards, as the seal with the pan may be broken.

14. Fit the lever or pushbutton as per instructions given in cistern fittings instructions, and fit the lid to the cistern.



13. Fit the bracket screw and attach the screw cover caps for side fixing or secure the pan to the floor with appropriate fixings.

Care and Maintenance.

Once installed, flush the toilet 2 or 3 times to ensure it is functioning correctly and check all Supply and waste connections for leaks.

If the toilet fails to remove solids please check the following :

1. You are pressing the correct button.
2. The valve has been set correctly
3. There is no obstruction in the WC outlet or in the connecting soil pipe.

Clean the exterior of your WC suite with hot soapy water and a cloth.

Do Not use harsh abrasives particularly on areas displaying the **HERITAGE[®]** logo.
BATHROOMS

Notes.

Aftercare Instructions.

Your fitting has a high quality finish and should be treated with care to preserve the visible surfaces.

All surface finishes will wear if not cleaned correctly, the only safe way to clean your product, is to wipe with a soft damp cloth. Stains can be removed using washing up liquid. All bath cleaning powders and liquids can damage the surface of your fitting even the non-scratch cleaners.

Guarantee.

All products are manufactured to the highest standards and a 25-year guarantee covers any defect in manufacture.

Contact Details.

If you require further assistance please contact Heritage Sales and Technical Enquiries:

Sales : 0844 701 8501

Technical: 0844 701 8503

Email: Technical@heritagebathrooms.com

Website: www.heritagebathrooms.com

**Heritage Bathrooms
Unit 6 Albert Road
St Philips Central
Bristol
BS2 0XJ**

