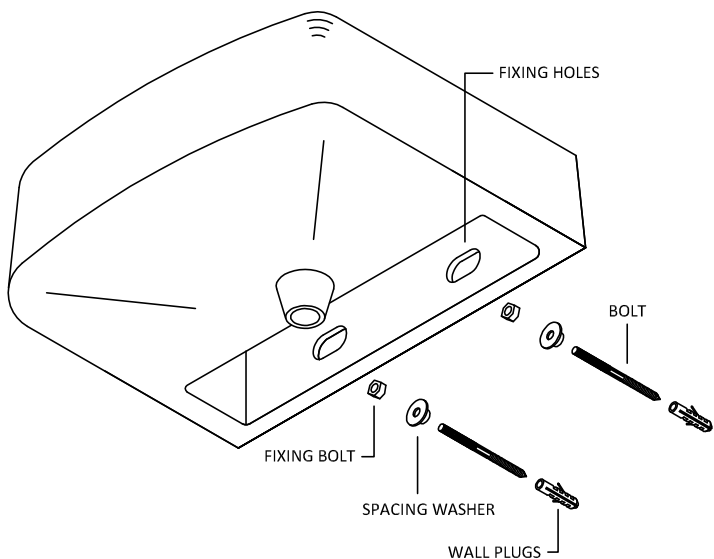


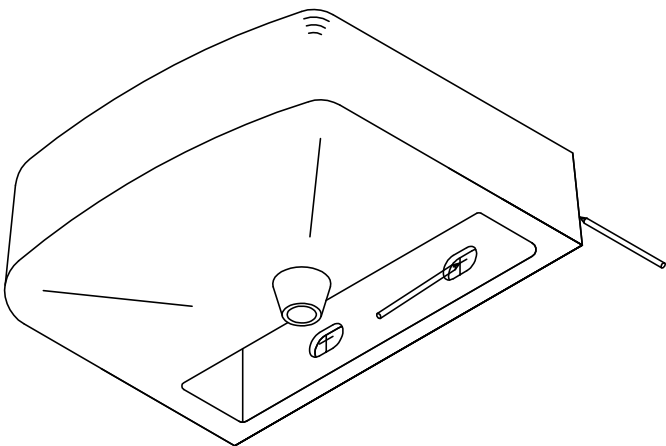
# GENERAL INSTRUCTION FOR WALL HUNG BASINS

1



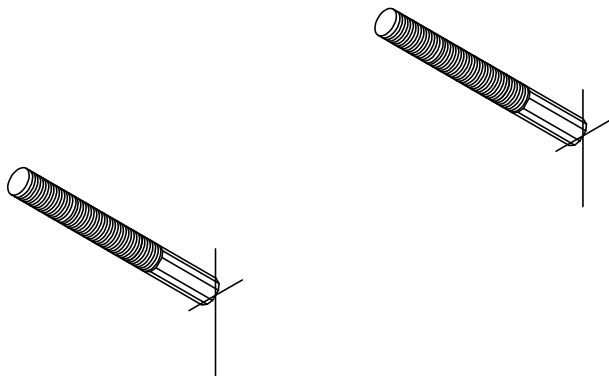
BASIN AND WALL FIXING ANCHOR SET  
(ANCHOR SET NOT SUPPLIED)

2



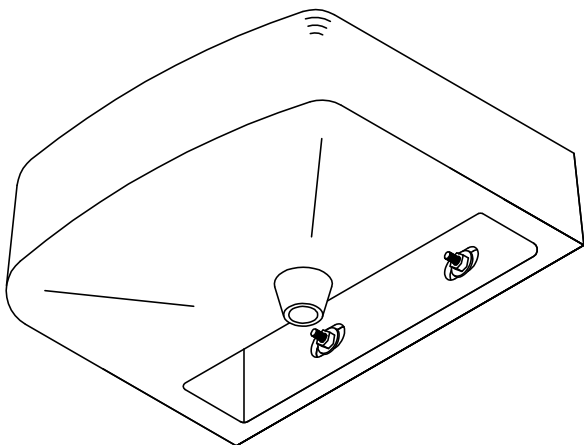
MARK THE POSITION OF THE BASIN AND FIXING HOLES. IF BEING FITTED TO A STUD WALL IT IS RECOMMENDED THAT A BATTEN IS USED FOR SUPPORT WITHIN THE WALL PARTITION.

3



DRILL AND FIT THE WALL PLUGS, THEN SECURE THE BOLTS AS DIRECTED BY THE MANUFACTURERS INSTRUCTIONS

4



REPLACE THE BASIN ONTO THE BOLTS AND SECURELY TIGHTEN USING THE SPACING WASHERS AND NUTS