

## **Natural Stone Authentication**

Congratulations on choosing a Natural Stone product.

Our products contain natural stone being a natural product there may be very slight variations in the finish in certain light conditions. This adds to the uniqueness of our products with each one having its own individual character a welcome rarity these days. Please use a mild abrasive cleaner such as Cif initially and on very rare occasions to restore the lustre of your product.

'The natural stone is porous like marble certain types of cleaners and bath oils may stain the natural stone and therefore is a characteristic of the material. Should you decide to use such products we strongly recommend the product is fully cleaned and rinsed after use as these types of stains are not covered within the manufacturer's warranty'.

For further information please visit the website for care maintenance of your special product.

[www.clearwaterbaths.com](http://www.clearwaterbaths.com)

[www.burlingtonbathrooms.com](http://www.burlingtonbathrooms.com)

## **Care & Repair**

Cosmetic repairs to your Natural Stone bath or basin

Should you be unfortunate enough to suffer cosmetic damage to your bath or basin during installation or accidentally at any time, these can usually be rectified quite easily by using a fine grade abrasive waterproof paper. Lightly rub the affected area by keeping the area treated to a minimum until the mark is removed, then polish a neutral car colour restorer or a household metal polish to restore the lustre.

Other marks on your bath or basin both internally or externally can generally be removed with a non abrasive bathroom cleaner or mild detergent. Should this not be the case then please revert to colour restorer or household metal polish.

## **Ongoing Care Of Your Bath Or Basin**

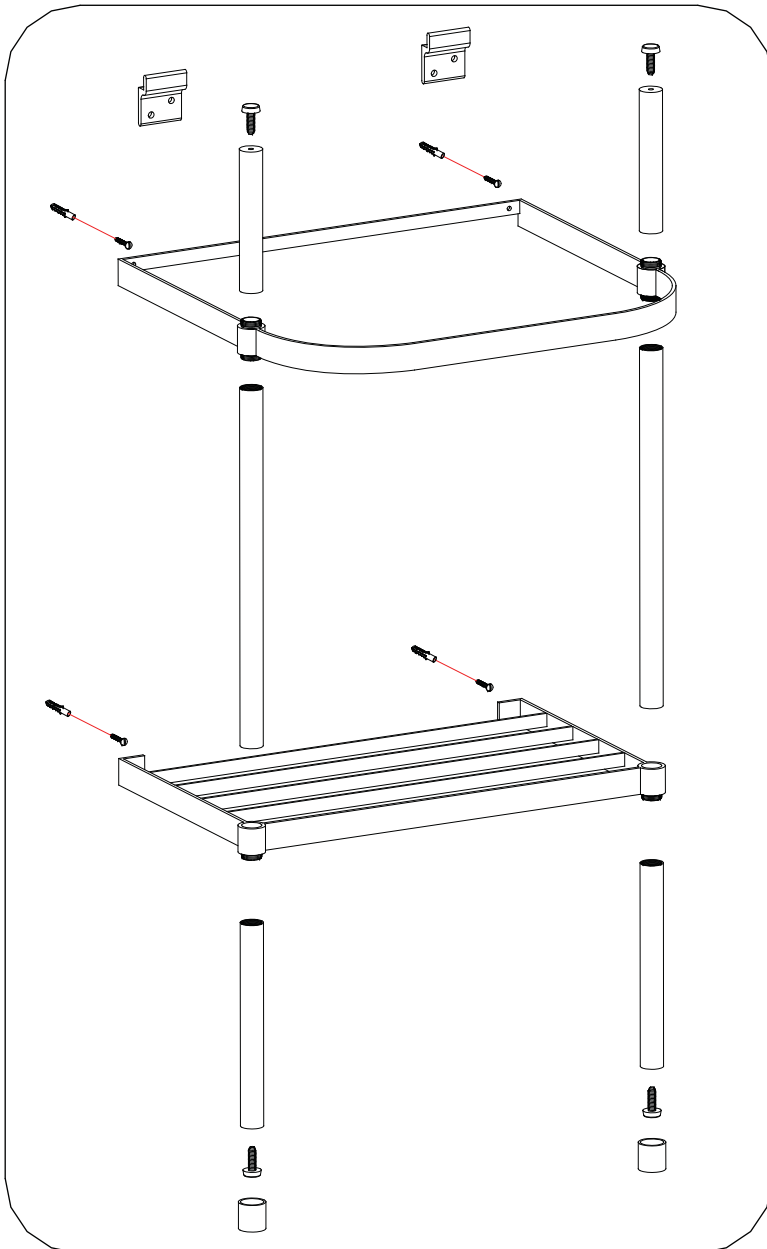
Use only non abrasive cleaners as abrasives over a period of time will remove the lustre from your bath or basin.

## **Warning**

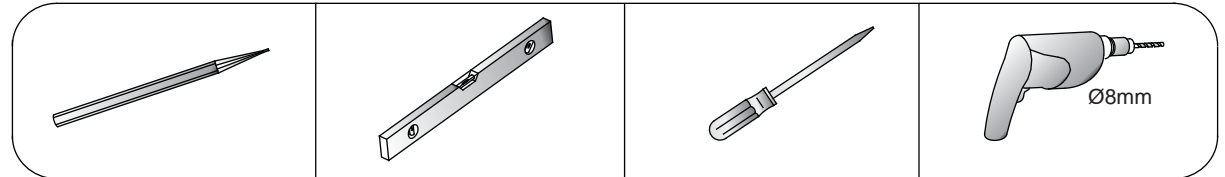
Never use cleaners / bleach products specifically manufactured for WC bowl cleaning as they may damage your bath or basin. In addition to these we strongly recommend that applying hair colouring is also not used over the bath as it may de-colour the natural stone.

55 Roll Top basin with stand  
65 Roll Top basin with stand  
75 Roll Top basin with stand

Parts supplied:



Tools required:



**Important**

- Please unwrap and check it carefully to ensure it has not been damaged in handling or transport.
- Please check that all parts have been supplied.
- Assemble basin stand on a mat to protect against scratch the surface.
- Installation should be completed by a suitably competent person.
- The wall fixings supplied may not be suitable for your installation. You may need to source alternatives depending on the material and strength of the wall you are fixing to.
- Please dispose of packaging in a responsible manner.

**Maintenance**

Clean with a damp cloth and washing up liquid or other mild detergent. Do not use strong detergents or cleaners containing abrasives which may scratch the surface.

