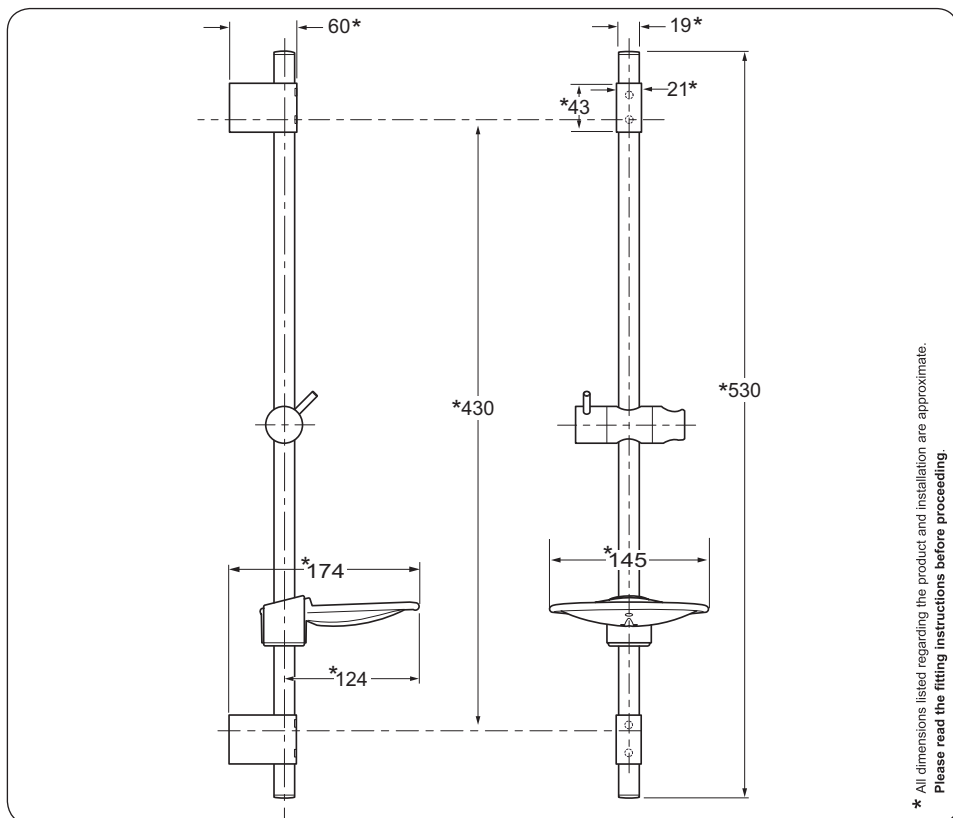


ANDREW

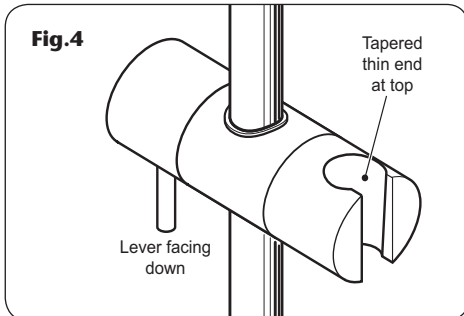
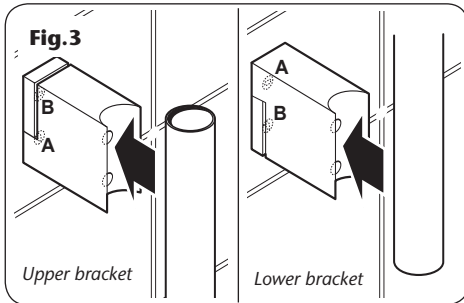
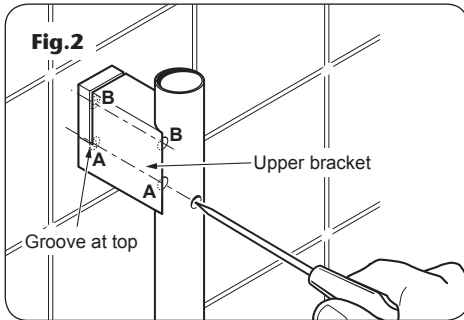
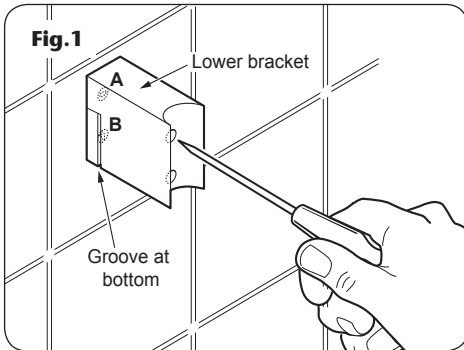
Riser rail assembly



Installation Instructions

INSTALLERS PLEASE NOTE THESE INSTRUCTIONS ARE TO BE LEFT WITH THE USER

ANDREW RISER RAIL ASSEMBLY



WARNING!

Check there are no hidden cables or pipes before drilling holes for wall plugs. Use great care when using power tools near water. The use of a residual current device (RCD) is recommended.

Decide on the position of the riser rail on the wall within the shower area. Proceed as follows:

Position the lower bracket to the wall and mark fixing hole 'A'. Make sure to position the bracket correctly with the groove towards the bottom of the bracket (**fig.1**).

Drill and plug the wall.

(An appropriate drill bit should be used. If the wall is brick, plasterboard or a soft building block, appropriate wall plugs and screws should be fitted).

Note: That the holes are elongated at the back of the bracket to allow for a small amount of adjustment.

Locate the riser rail and lower bracket to the wall and fix temporarily. Fit the upper bracket to the riser rail, making sure to position the bracket with the groove uppermost. Align the holes in the riser rail and upper bracket.

With the upper bracket in place, align vertically the rail and mark fixing position 'A' (**fig.2**).

Remove the rail assembly. Drill and plug the wall.

Screw temporarily both brackets to the wall. To check the brackets are aligned, place the riser rail into the curved recess of both brackets (**fig.3**). Remove the rail, mark the two remaining fixing holes 'B' and drill and plug the wall.

Fix the brackets to the wall using hole 'B'.

Slide the showerhead holder onto the riser rail. For the correct facing of the showerhead holder make sure that the holes align and the lever is facing forwards. Secure the holder to the rail by turning the lever anti-clockwise. When tight, the lever should face down (**fig.4**).

ANDREW RISER RAIL ASSEMBLY

Slide the soap dish and hose retainer onto the riser rail, below the showerhead holder (**fig.5**).

Locate the riser rail assembly to the upper bracket. Align the upper hole in the riser rail with hole 'A' in the bracket and secure (**fig.6**).

Align the bottom hole in the riser rail with hole 'A' in the lower bracket and secure.

Fit the bracket trims over each end of the riser rail, locating the runner into the groove before sliding onto the bracket (**fig.7**).

Push fit the rail end trims into each end of the riser rail.

FITTING THE HOSE AND SHOWERHEAD

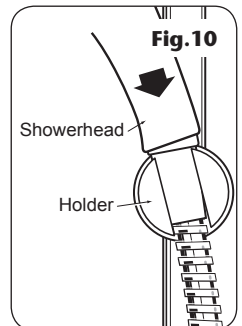
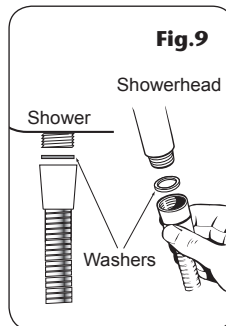
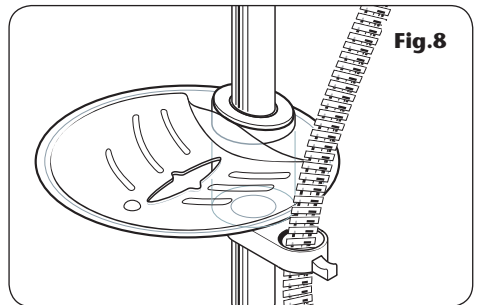
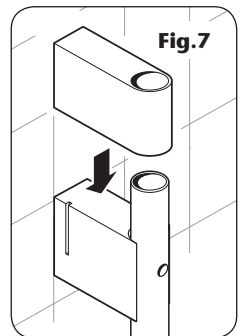
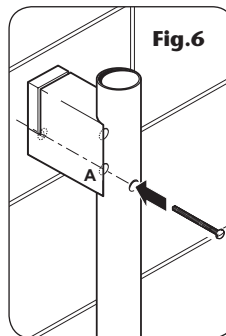
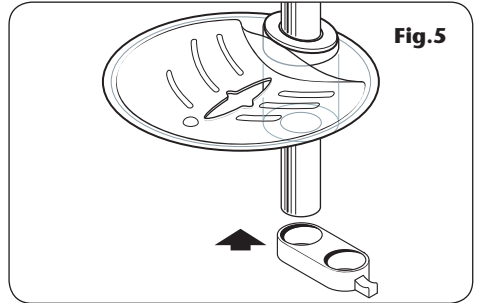
Feed the flexible hose (**fig.8**) through the retaining ring (Water Regulations).

Screw the flexible hose to the shower outlet and showerhead, making sure the supplied washers are in place at both ends of the flexible hose (**fig.9**).

Place the showerhead into the holder and check that it fits correctly (**fig.10**).

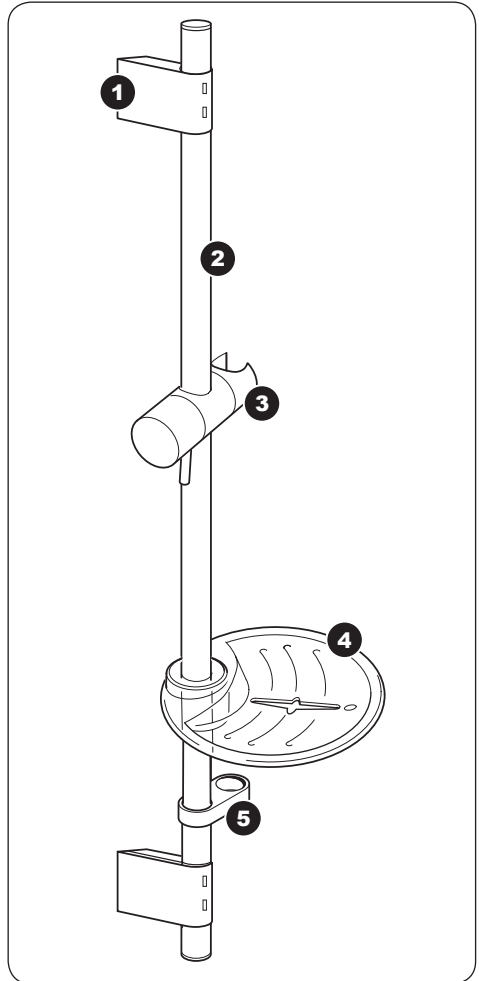
Note: The holder is slightly tapered and the showerhead and hose will only fit from one direction.

IMPORTANT: It is the conical end of the hose which grips into the holder. The showerhead will not fit in the holder without the hose attached.



SPARE PARTS

<i>Ref. Description</i>	<i>Spares No.</i>
– Kit (without riser rail)	88900007
1. Bracket & trim	83309680
2. Riser rail	88800007
3. Showerhead holder	83309490
4. Soap dish	83308370
5. Hose retaining ring	83308380
– Flexible hoses available in the following sizes:	
1.00 m in white, chrome and gold	
1.25 m in white, chrome and gold	
1.75 m in chrome only	



Please refer to shower installation and operating instructions for service details. E&OA.