

**INSTALLATION  
AND OPERATING  
MANUAL**

**Alto**<sup>TM</sup>



Alto 50 Steam Shower

INSTALLERS PLEASE NOTE, THESE  
INSTRUCTIONS ARE TO BE LEFT  
WITH THE CUSTOMER

Technical Support: 01422 410769

Thank you for purchasing this product. To guarantee the product delivers a long service life, please ensure it is fitted and used in accordance with the instructions contained in this booklet.



**Please check that the boxes contain all the items listed below, and report to us any parts that are missing or damaged prior to assembly and within 48 hours of receipt. Damages notified to us after this time will be chargeable.**

**CAREFULLY CHECK THE PRODUCT IS AS ORDERED: CORRECT SIZE AND COLOUR OPTION BEFORE YOU COMMENCE ANY OF THE INSTALLATION PROCESS**

You should ensure that the floor where the shower is to be located is smooth, level and able to support the weight of the product when in use.

Installation requires a qualified plumber to provide the correct connections to water and waste. Failure to have the shower installed by qualified fitters will invalidate product guarantee.

Please ensure that all connections are water tight, safe and insulated (where applicable) as the unit has connections that are made for transport purposes only and are not fully tightened.

Pack contents:

- 1 x Tray base with pre-fitted waste assembly
- 1 x Central, tower panel with pre-fitted body jets
- 1 x Shower Valve (maybe pre fitted)
- 2 x Braided water supply hoses
- 2 x White glass framed, rear glass panels (marked left and right)
- 1 x Clear glass door
- 1 x Clear glass, fixed side panel
- 2 x Silver finished, front corner posts
- 2 x Straight, front frame sections
- 2 x Front Rails (upper and lower)
- 1 x Silver front pillar post with USB port
- 2 x Framed, clear glass side panels
- 1 x Monsoon rain shower
- 1 x White Acrylic ceiling
- 1 x Hand shower, riser bar and chrome hose.
- 1 x Glass shelf and fixings
- 1 x Magnetic door seals (pair)
- 1 x Flapped door seal
- 4 x Single wheel, shower door rollers.
- 4 x Door roller stoppers
- 2 x Chrome finished door handle
- 52 x Assorted Screws

*Refer also to contents list with images on the next pages. Some items may be pre-fitted.*

# Contents

## **Product Contents List with Images**

## **Important Notice**

## **Before you Begin**

## **Assembly**

- Fitting the Shower Valve
- Fitting a Seat (Optional)
- Leveling and Fitting the Tray
- Front Frame Assembly
- Installing Fixed Side Glass Panels
- Front Upright Pillar
- Front Corners
- Rear and Side Panels
- Central Tower
- Front Frame Installation
- Shower Ceiling
- Temperature Sensor
- Runner Wheels
- Door Handles
- USB Connector
- Overhead Shower Fitting
- Hand shower and Riser installation
- Fixing and Assembly of Glass Shelf
- The Shower Valve Connections
- Door Seals

## **Water Connections**

## **Schematic Water and Electrics Diagram**

## **Electrical Connections**

## **Sealing the Shower**

## **Final Testing**

## **Completion**

## **Valve Operation**

## **Electronic Control Panel**

## **Bluetooth Pairing**

## **Safety Precautions**

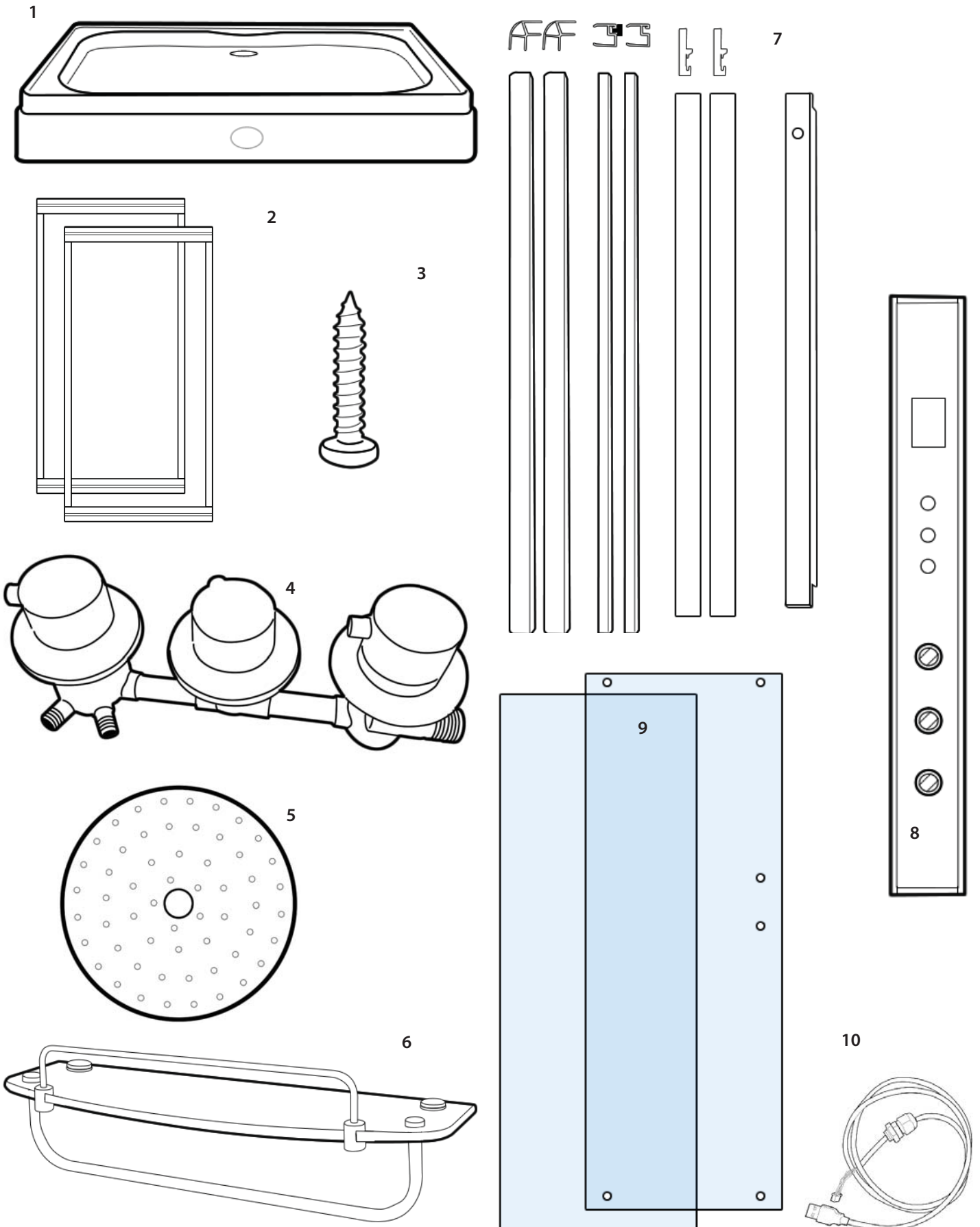
## **Cleaning and thirds party product use**

## **Additional information and help**

## **Thermostatic Cartridge**

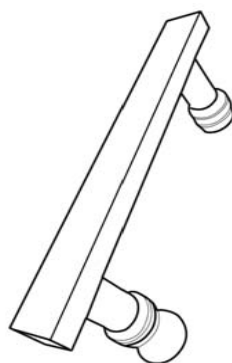
# Alto Steam Shower Contents

Below is a list of the parts you should have received for the installation of your shower. Please note that several parts may be pre-fitted in place, such as the monsoon shower head, etc. Please note, the design and shape of parts may change occasionally but will always offer the same or greater functionality.

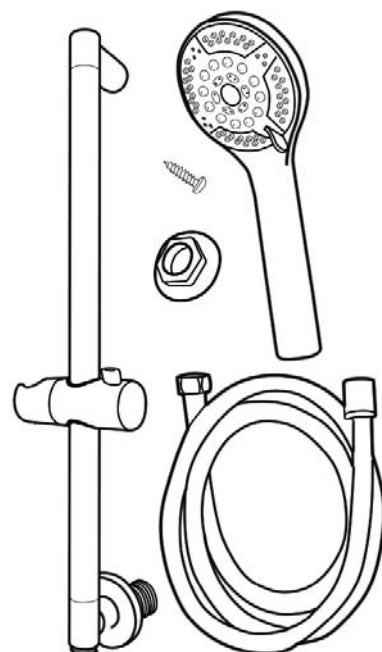


1. Tray/Base with Waste assembly and flexible waste pipe pre-fitted (shape and size vary according to model).
2. Side Glass and framed panels (2).
3. 24 x 16mm , 16 x 10mm, 4 x countersunk and 8 x 30mm screws
4. Thermostatic shower valve and 2 braided hoses.
5. Stainless Steel monsoon.
6. Glass shelf and fittings.
7. 2 x front corner posts, 2 x front uprights, 2 x front running rails, 1 x front pillar post.
8. Tower with and Body Jets , control panel and steam pod pre-fitted.
9. 1 x Fixed pane and 1 x shower door.
10. USB Cable.
11. 2 x White glass and frames panels.
12. Ceiling / Roof (inc Ozone unit, light and speaker)
13. Single Door handle.
14. Hand Shower, riser bar, chrome hose and fixings.
15. 4 Door wheel cams/runners.
16. Steam Generator and Electronics (maybe pre-fitted)

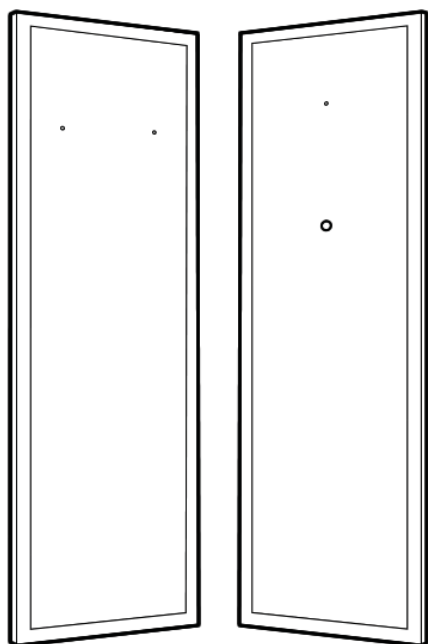
13



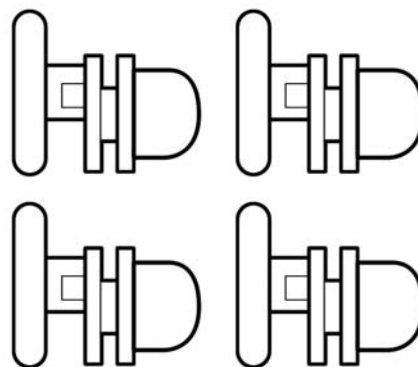
14



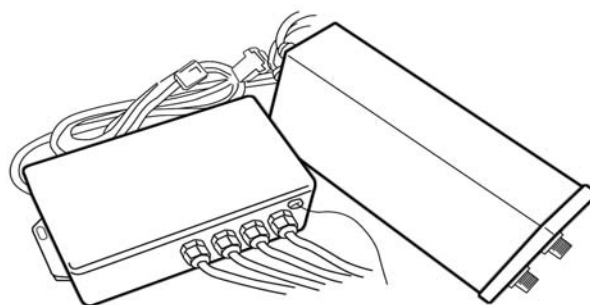
11



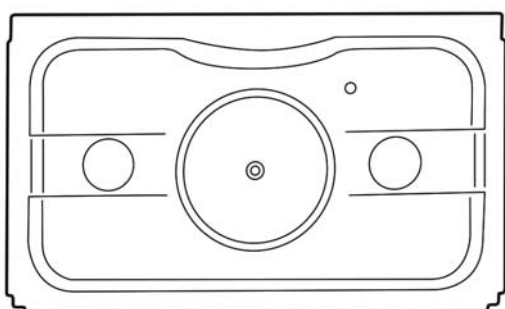
15



16



12



# IMPORTANT NOTICE

Before you proceed with fitting your Alto Shower please read and understand the following:

By commencing testing and installation of the unit you are agreeing to the Terms and Conditions set out by us and copies are available by contacting us on the telephone (details on the cover of this manual).

You are required to ensure the purchased product dimensions allows for ease of passage to the intended installation area.

Regarding weight tolerances of installation area, it is advisable to contact a builder or refer to Building regulations to ensure the product placement area has sufficient joist/floor support.

1. It is important that you ensure that your purchase has been delivered undamaged. You are required to check the contents and report any damage that you feel needs repairing or replacing within 48hrs of receipt of goods. Items reported damaged after this time WILL be chargeable.
2. The product you have purchased is NOT designed for home DIY fitting. You are required under the Terms and Conditions to get the unit fitted by a qualified specialist. The product requires connection to electricity this may require a Part P qualified electrician.
3. We are a supply only company. If you report to us any damage we will send replacements or solutions to remedy the problem described. We endeavor to fully understand the problem first by asking a series of questions and then propose the solution. We may even ask for digital images to be sent via email to assist the process. The Warranty does NOT include fitting/inconvenience costs.
4. You are required to ensure that you correctly water test the tub before fitting and ensure that your fitter fully tests the unit upon completion and attends to any leaks and faults before he leaves.
5. All hoses, such as to the valve assembly, shower outputs and air switches and waste are fitted for transport purposes and need to be properly sealed and tightened before use. During transportation some connections can become dislodged and therefore break any watertight seal, you are required to ensure that your fitter specifically tests for these possible occurrences and seal/fix accordingly.
6. **Do not book your fitter until you have inspected the unit. We cannot be held responsible for delays and costs incurred by fitters having to return to fit parts that need supplying.**
7. We cannot be held liable for inconvenience caused due to lack of bathing facilities caused by any delay in receiving your product or whilst awaiting parts.
8. Regarding our sales and technical support: We know our products and their requirements, but we are not qualified plumbers and accept no liability for claims suggesting the same. You are advised to check the suitability of the product with a professional body. It is the customer responsibility to ensure the product is fit for purpose.

## Before you begin



### **Tools needed to assemble this shower cabin:**

Electric screwdriver with a selection of heads, regular screwdrivers, pipe grips, spanners, spirit level, sharp knife and rubber mallet. Connection of the electrical supply and plumbing may require additional tools.

There is a drill bit supplied with the kit, to allow either widening of holes or drilling new holes which you feel cannot be located during construction.

### **Water requirements**

This shower requires two water supplies (1 x hot and 1 x cold) tested to be between 1 and 3 bar, with a flow rate over 7.5 litres per minute.

NOTE: We recommend water pressures over 2 bar to achieve optimum showering results.

### **Gravity Fed systems**

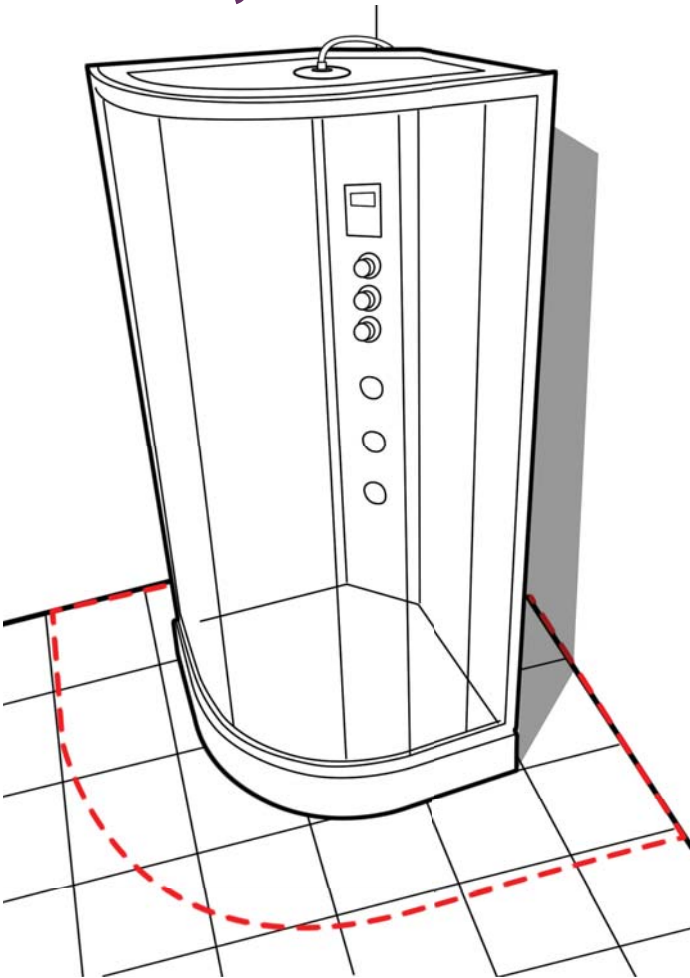
If you have a Gravity fed system, then fitting a Shower Pump is recommended. Fitting a Twin Impeller Shower pump rated over 2 bar is necessary as a minimum. Shower pumps MUST be properly sited, installed and commissioned. Incorrectly installed shower pumps will cause adverse effects to your showering and bathing resulting in pulsing or starting and stopping of the pump. If a pump is installed, a separate Mains Cold supply must be fitted and directed to supply the Steam Generator separately (bypassing the pump).

### **Isolating Valves**

Whilst not a requirement of the showers installation, we would always recommend fitting these as it enables you to turn off the water supply to the shower when not in use (for example going away on holiday). Additionally isolating valves makes service checks easier than locating the house stop cock.



# Assembly



Do not fit the shower into locations where you do not have at least 40cm access all around the cabin both for installation and for future service access.

We advise you do to fit sinks, toilets etc that restrict access behind the shower.

You must ensure you can slide the cabin away from the wall/corner for service access.

Smooth and level walls and floor are required for ideal installation conditions. Avoid carpet or vinyl floors.

**Please ensure you have correctly water tested the tub before you continue.**

**NOTE: Instructions shown based on quadrant model, The assembly and operation is identical for offset models except for the rear panels being different sizes.**

**Please inspect all parts carefully before assembly.**

**BY COMMENCING ASSEMBLY OF THIS SHOWER YOU ACCEPT THAT THE PARTS HAVE ALL BEEN CHECKED AND ARE UNDAIMAGED.**

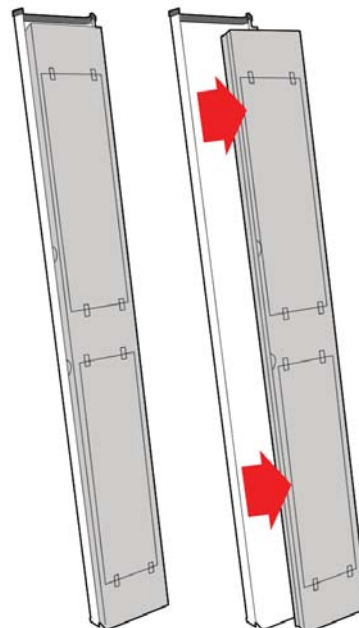


This product is fitted with toughened safety glass. The glass is stronger than regular glass and if it breaks it will form small pieces of cubed glass, not dangerous shards of glass. These small pieces are still sharp, so care must be taken to handle broken glass with care.

If the glass is put under stress or is chipped it will break.

**DO NOT ALLOW THE GLASS TO IMPACTED HARD SURFACES OR OBJECTS AS THIS MAY CHIP/WEAKEN THE GLASS. WEAKENED GLASS THAT IS CHIPPED OR UNDER TENSION MAY SHATTER AT ANY TIME, NOT ALWAYS IMMEDIATELY.**

## REMOVE THE WHITE PLASTIC COVER ON THE BACK OF THE TOWER PANEL



Fitted to the rear of the tower panel is a white plastic protective cover. This part is fitted to protect the valve and pipes during transport.

REMOVE and DISPOSE of this part as it is not needed.



# 1. FITTING THE SHOWER VALVE

The Thermostatic Shower Valve will need to be fitted into the central tower panel into the three pre-drilled, vertical holes available for it.

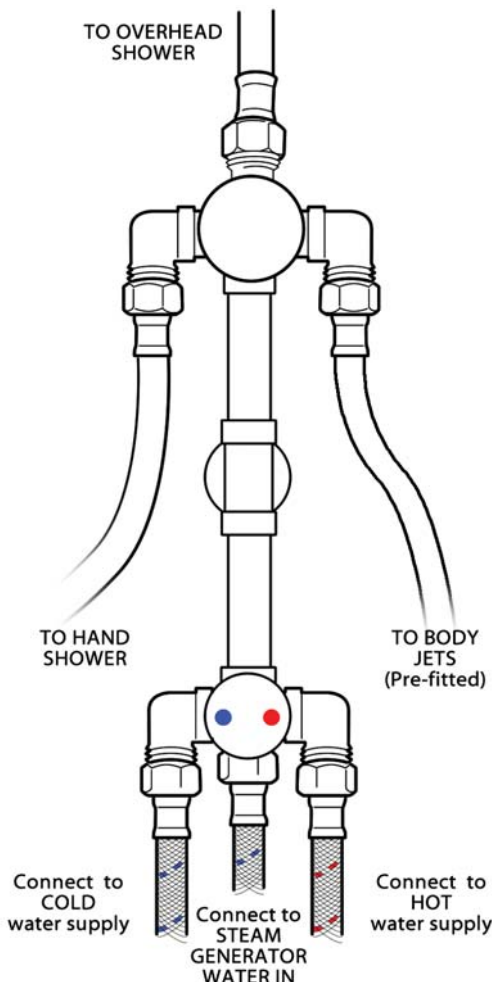
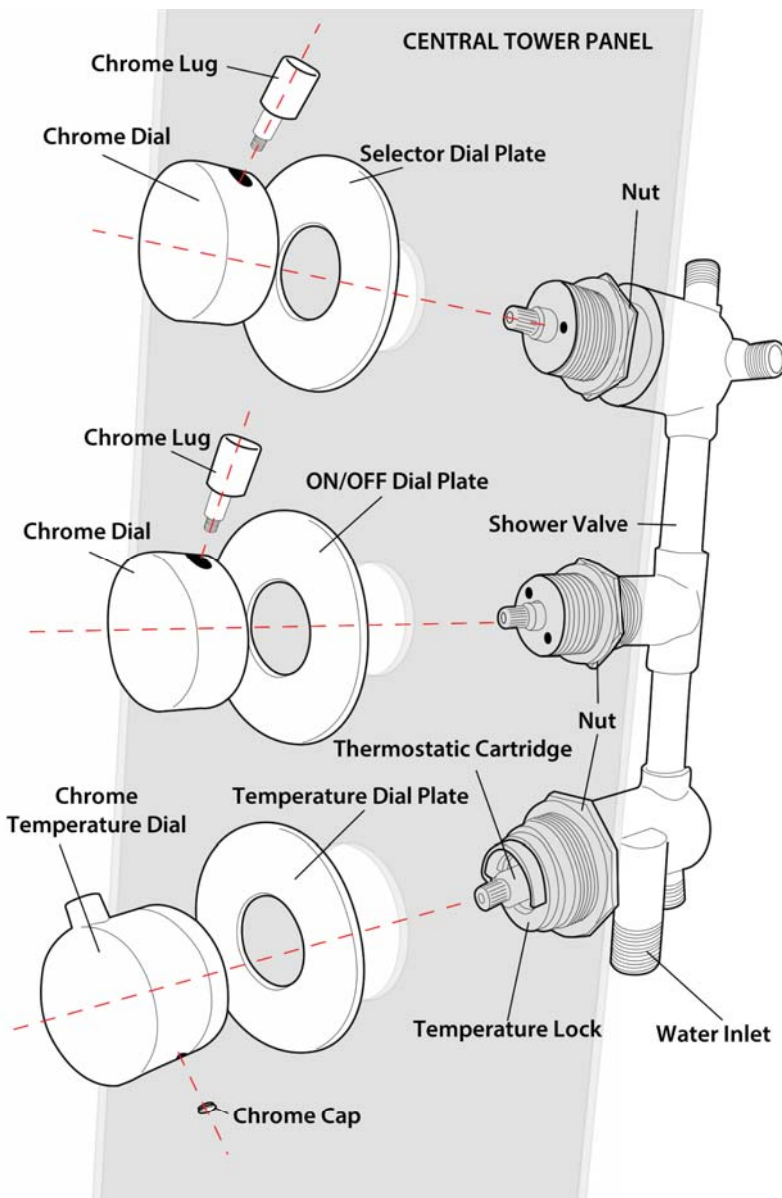
First remove the 3 Chrome Dials from the valve.

The Selector Dial and ON/Off Dial are removed by unscrewing the Chrome Lug on the side. Once removed this should also come free with the threaded grub screw part in place, so the dial will now pull off.

The Temperature Dial has a small silver cap on the opposite side to the Lug. Remove this cap and insert a 2.5mm Allen Key inside to the grub screw. Turn a small amount to loosen (not remove) and then pull the dial away.

Next unscrew each of the Chrome Dial plates.

Now position the valve from the rear of the central panel to align with the holes and push through the holes.



Re-fit each of the Chrome Dial Plates from the front of the panel. This will now hold the valve in position.

Adjustment can be made to the rear nuts to allow the valve to be seated correctly against the panel.

Now you can re-fit each of the chrome dials, remembering to fit the lower (thermostatic control dial) on the lower most position.

Now the valve is in position and tight you can fit the two WRAS approved, Braided hoses to the water inlets at the bottom of the valve in preparation for connecting to water at a later stage.

Connect also the silver/grey hose from the overhead shower that is pre-fitted to the upper part of the central panel. Ensure this connection is watertight.

## 2. FITTING SEAT (OPTIONAL)

If your product came with a seat you may choose to install this item.

Before commencing full assembly of the product you will need to prepare and fit the seat.

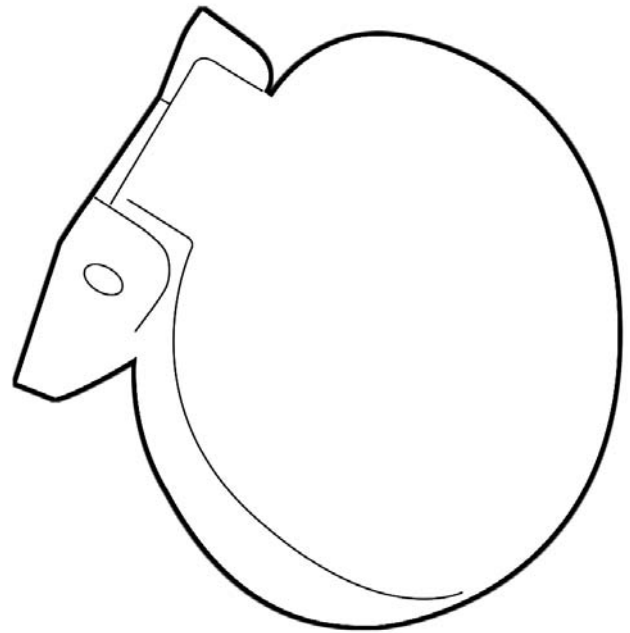
You need to drill three holes for the fixing bolts into the tower at your preferred height.

Drill the holes in the central tower to the measurements shown in the diagram below.

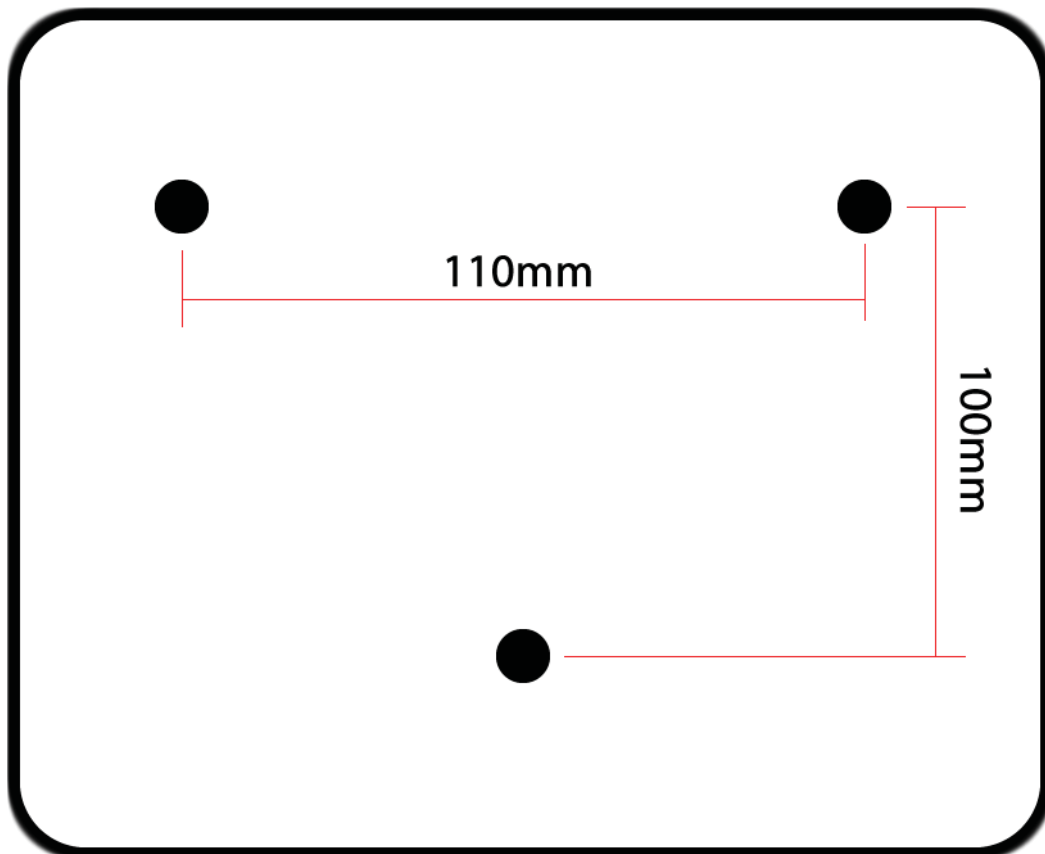
Remove the three fixing nuts from the threaded ends on the rear of the seat fixing plate.

Pass the threads of the seat through the holes from the front of the tower panel.

At the rear, fit the seat in place by fitting the nuts and tightening up.



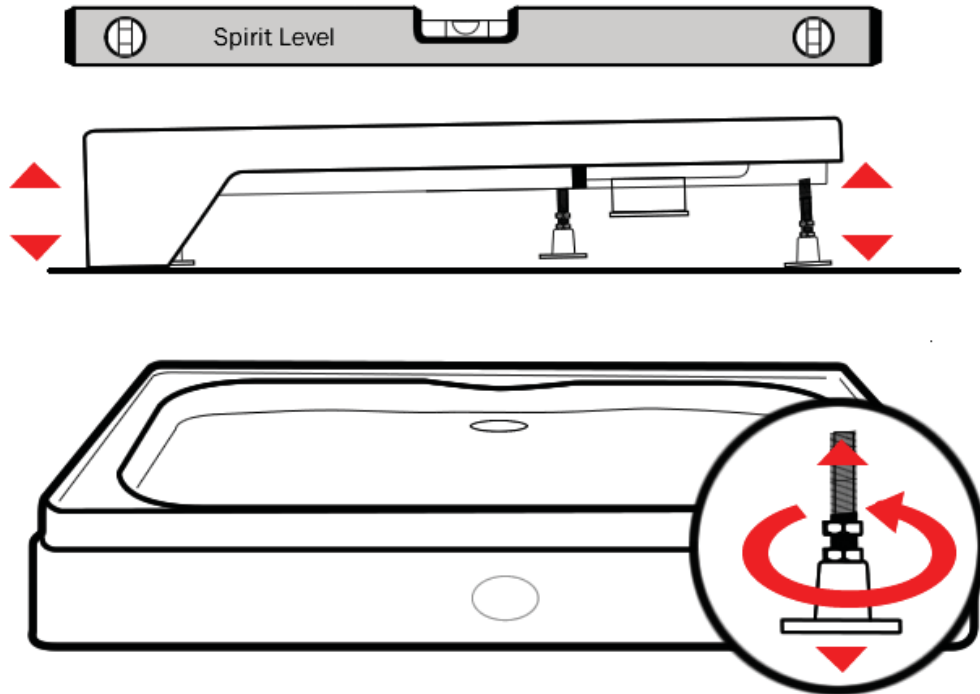
**The seat has a MAX allowance  
for use of 100kg**



### 3. LEVELING AND FITTING THE TRAY

Remove the protective film covering the base.

Connect the soil pipe, trap and any couplings to the flexible waste under the tub. You may choose to fit either a HEPV0 trap with the appropriate couplings or choose to fit a McAlpine ST28M coupling to a McAlpine 28-NRV trap.



Position the tub base in what will be its final location and adjust the feet until the base is level. You can raise/lower the feet under the tub and with a spirit level laid across the tub, ensure the tub is level.

Now fill the base with some water and check that the water flows adequately to the plug and exits satisfactorily. If the water does not flow to the plug fully, then you will need to increase the fall on the tray by adjusting the legs. If the water does not exit the waste section fast enough, then ensure there is suitable fall in the waste pipe and/or no blockage or kinks in the pipe work.

Check and attend to any leaks.

Now slide the tub away from the wall to allow access all around the shower as you assemble.

This product is freestanding so you do not need to fix the feet to the floor.

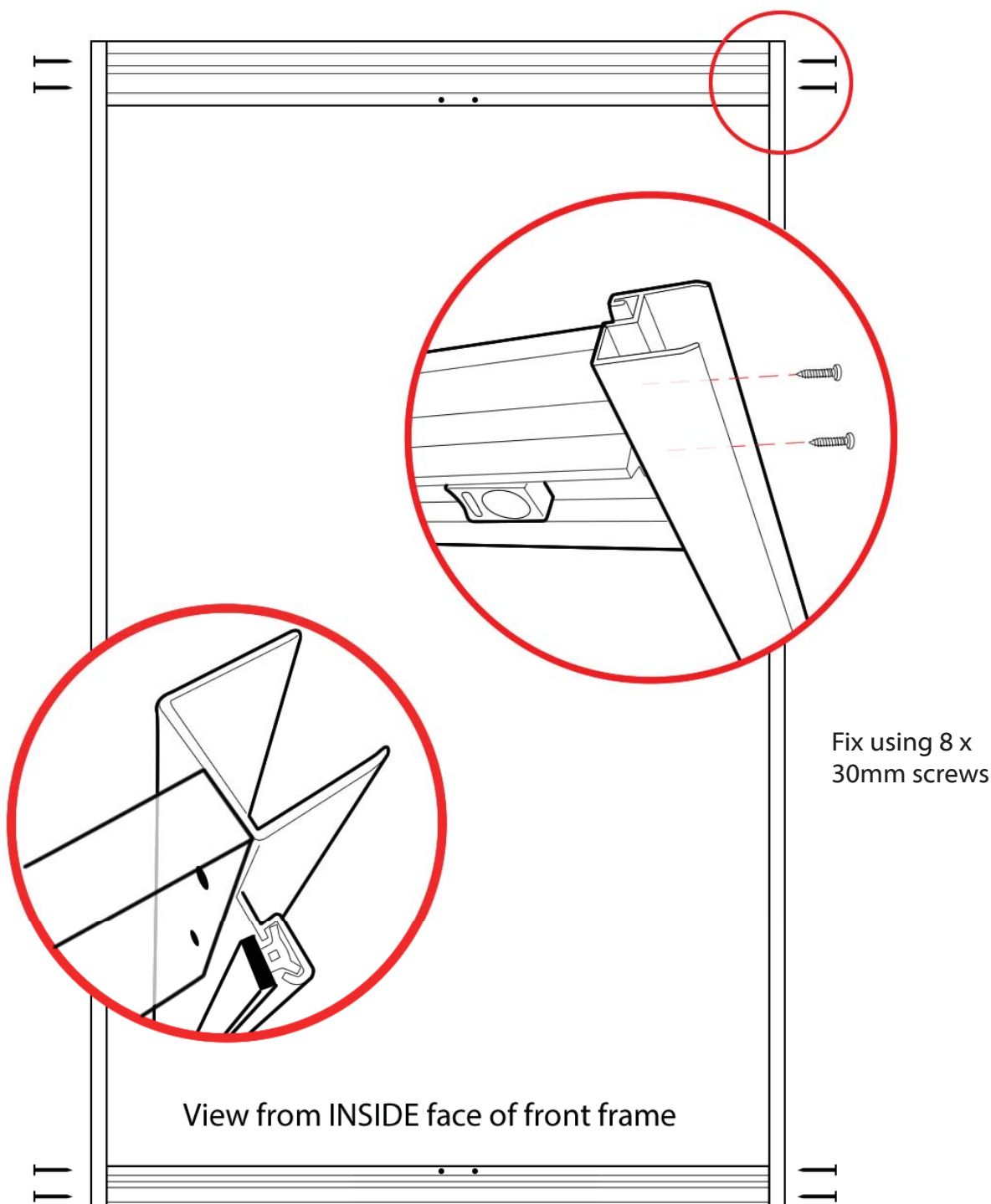
## 4. FRONT FRAME ASSEMBLY

The two identical UPPER and LOWER rails. These have a flat front face and running channels on the rear faces.

The front left UPRIGHT is a silver/grey section with a profile as seen in the diagram below in the upper red circle. It has two screw fixing holes at the top and bottom and a channel to the front face where the glass will be positioned.

The front right hand upright is identifiable by the pre-fitted magnetic strip (as seen in the lower red circle of the diagram below).

Using the 8 x 30mm screws join the four sections together as the diagram below. The diagram is as viewed from the inside face of the frame, so ensure the upper and lower sections have their flat surfaces facing to the outside of the shower cabin.



## 5. INSTALLING THE FIXED SIDE GLASS PANEL

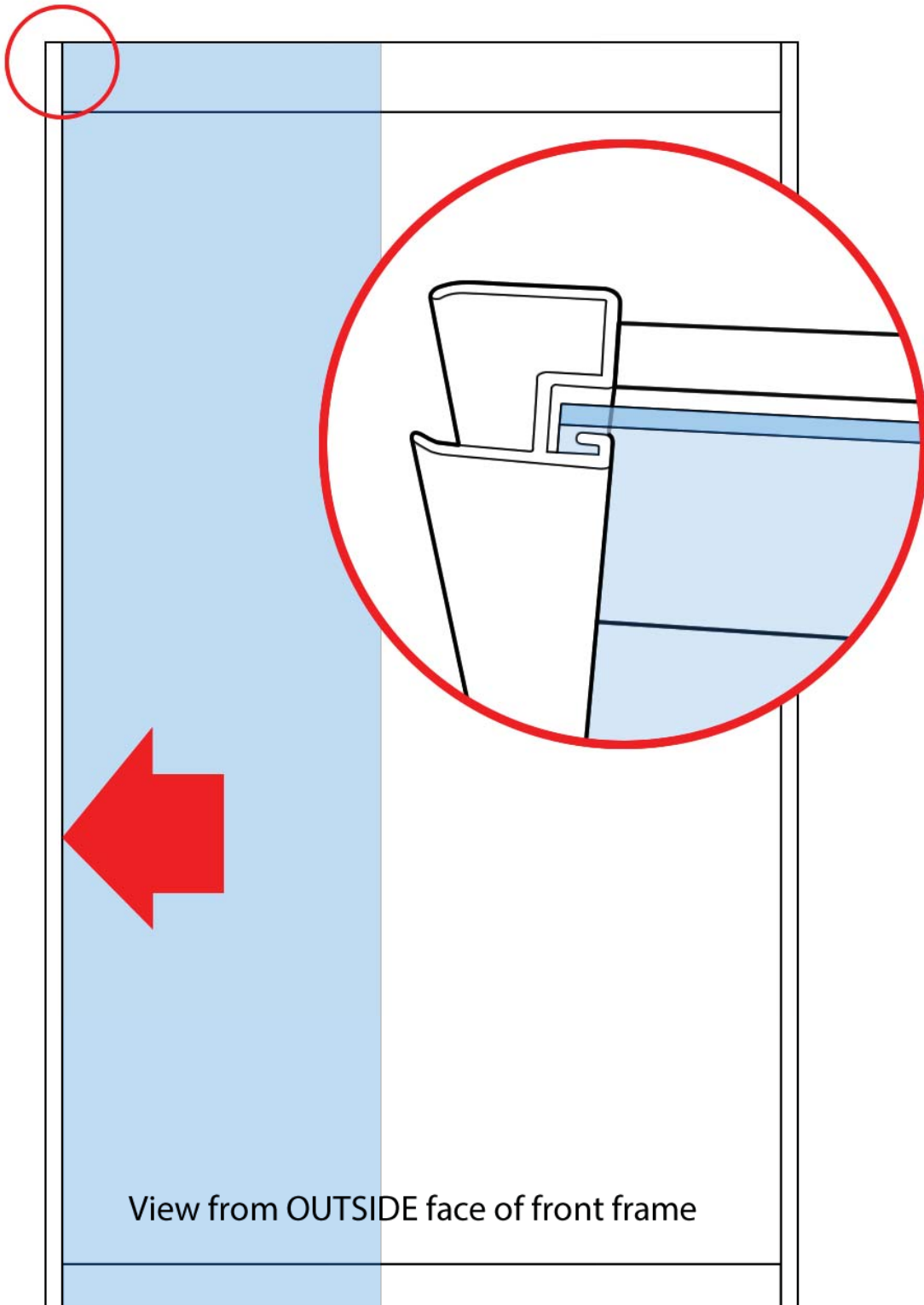
Locate the single, flat clear glass section and the 'U' shaped door seals.

From the front face of the frame section you assembled in the previous step, put one 'U' shaped seal along the long left hand edge of the glass and then push the long edge into the channel in the silver upright sections until fully seated in position.



**DO NOT HIT GLASS WITH HARD OBJECTS TO PUSH INTO THE FRAME.**

Avoid allowing the glass to be placed directly onto hard surfaces that may chip the glass as this will weaken.



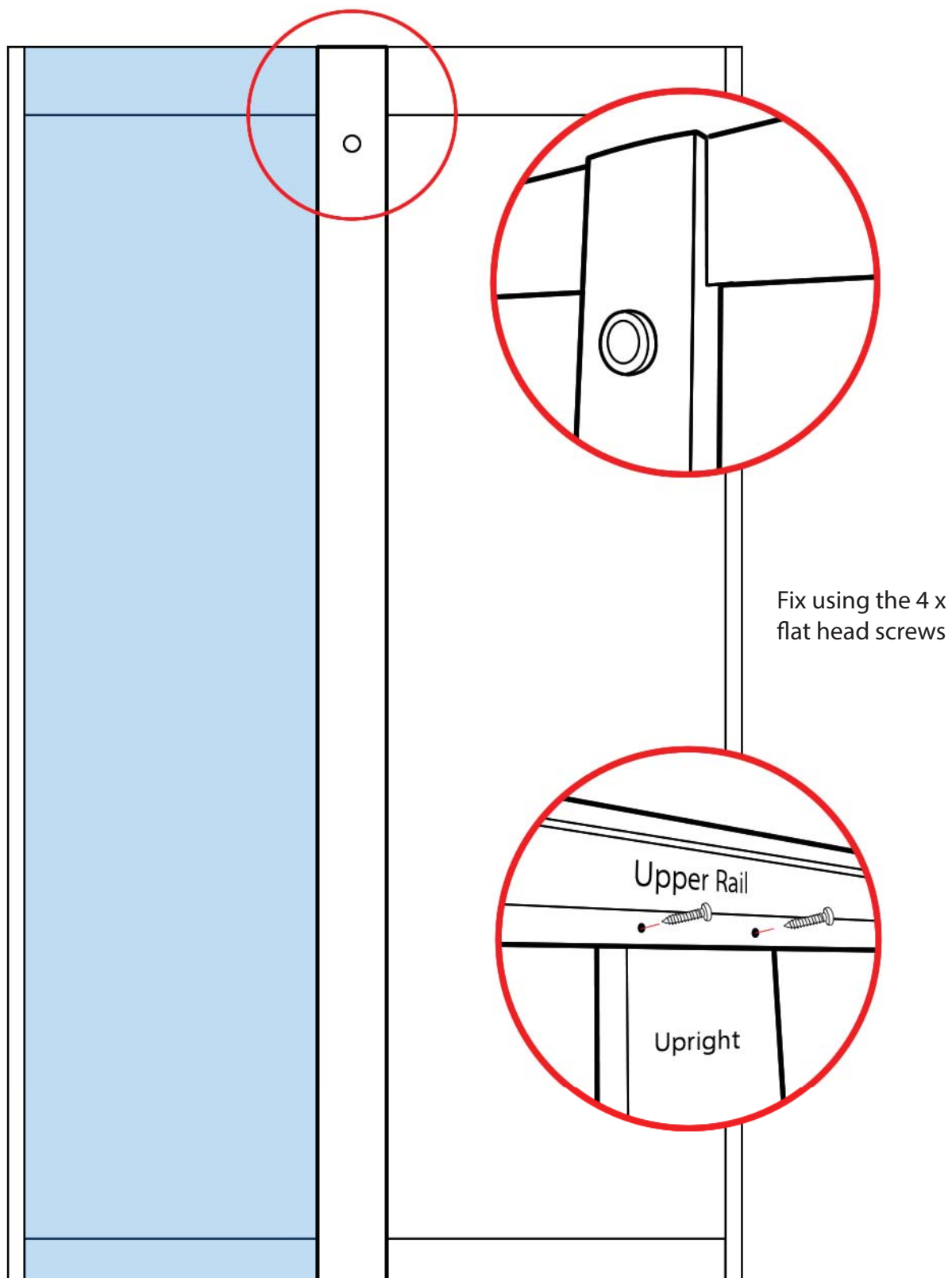
## 6. FRONT UPRIGHT PILLAR

The front upright piece can be identified by the USB port located on its outer face in the upper part.

Place another 'U' shaped seal along the long edge of the fixed glass panel then slide the front upright pillar into position and ensure the glass is seated fully.

On the inside of the upper and lower rails are two holes. Using screws provided fix the front upright pillar to the upper and lower rails through these fixing points along with the 4 x Countersunk (flat headed) screws

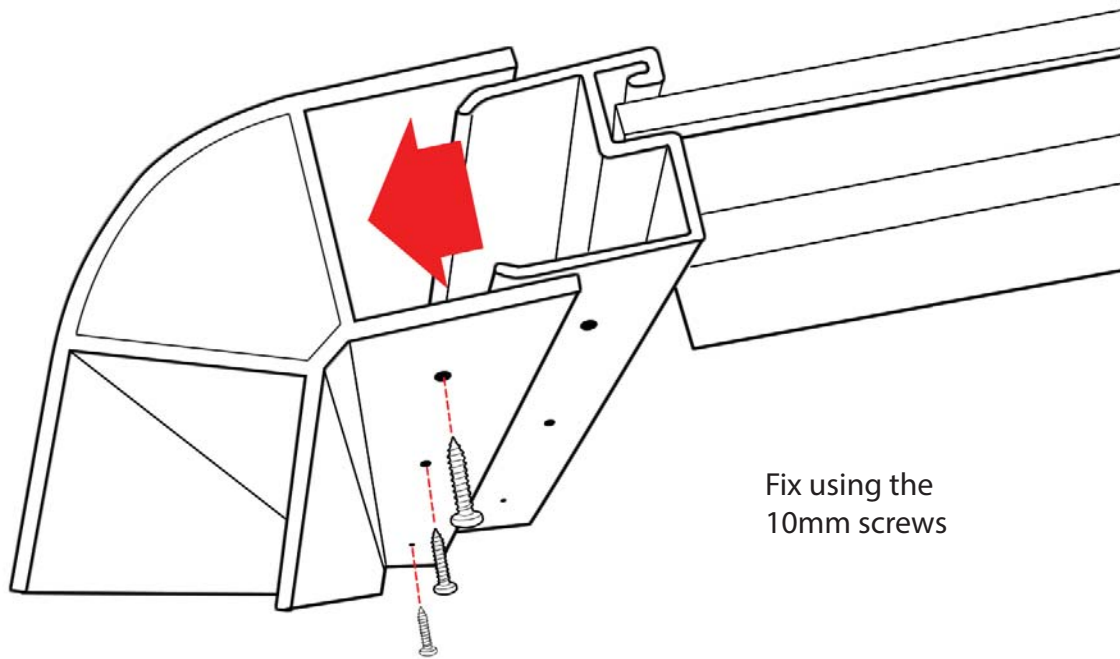
Ensure the USB cable coming from the upper end of the frame is free as a connection with the end of the cable will need to be made later.



## 7. FRONT CORNERS

Locate the front corner posts. These are long upright silver sections with an outer curved/corner face and two slots running the full length. Position each post over the left and right ends of the front frame assembly so that the other free slot on each faces backwards.

Fix the corner posts in position with the 10mm screws - 4 on each post.





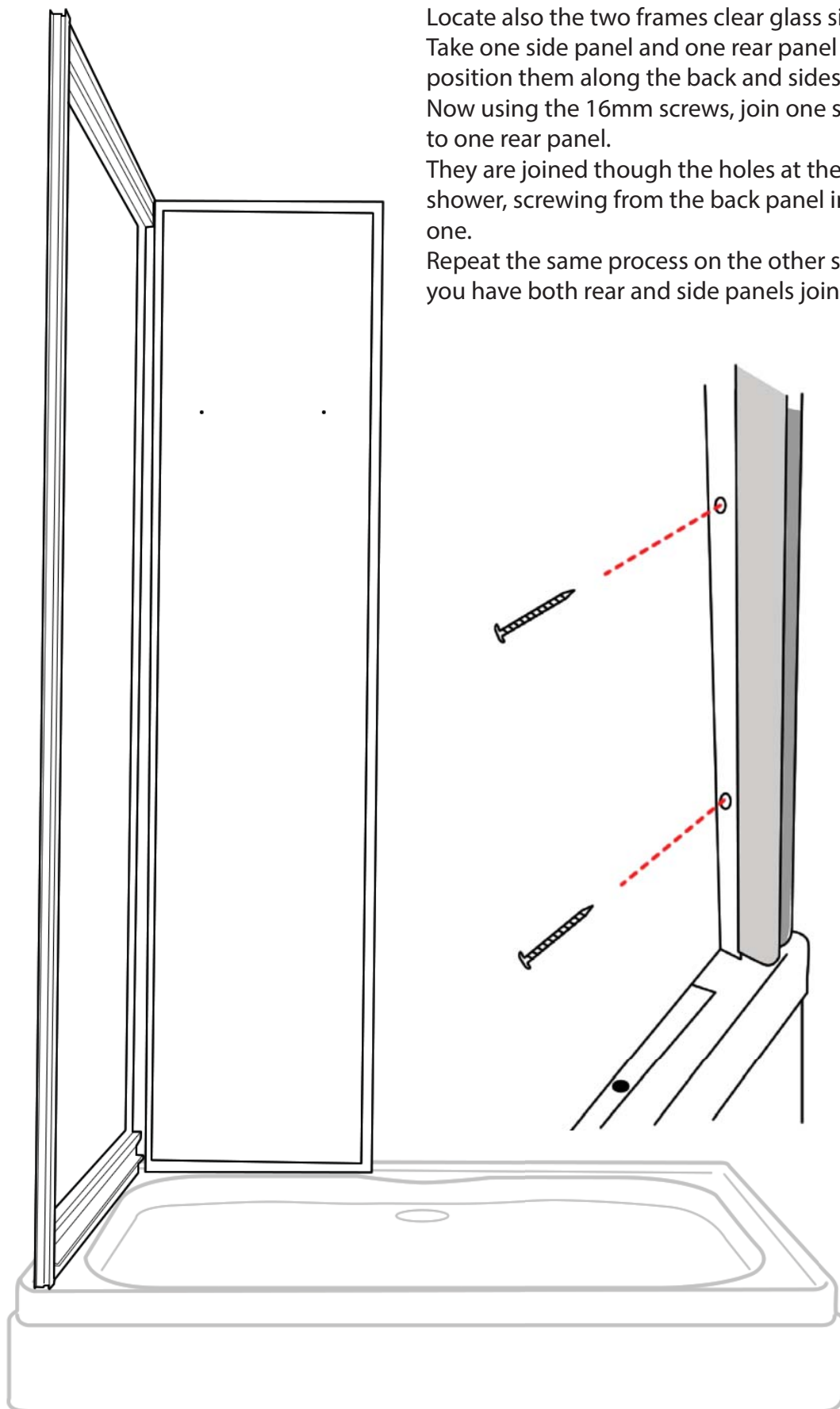
## 8. REAR AND SIDE PANELS

Locate the two rear frames glass panels. These have a white frame and white glass. They will be marked for position LEFT and RIGHT.

Locate also the two frames clear glass side walls. Take one side panel and one rear panel and position them along the back and sides of the tray. Now using the 16mm screws, join one side panel to one rear panel.

They are joined through the holes at the rear of the shower, screwing from the back panel into the side one.

Repeat the same process on the other side until you have both rear and side panels joined.



## 9. CENTRAL TOWER

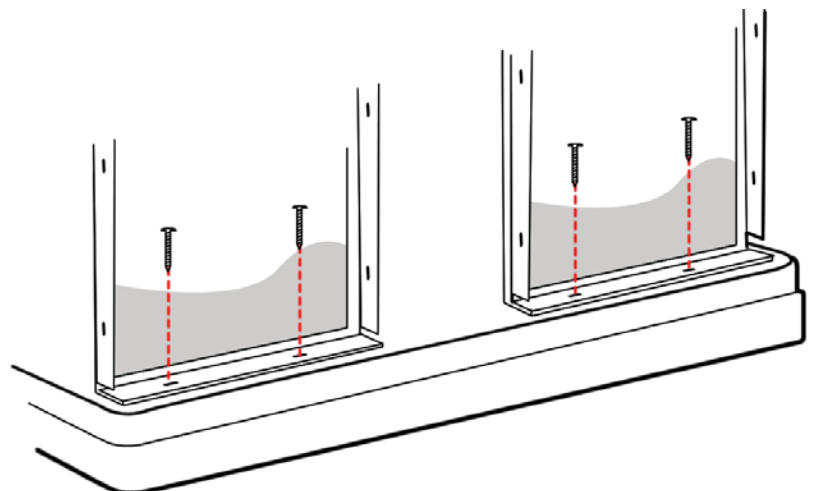
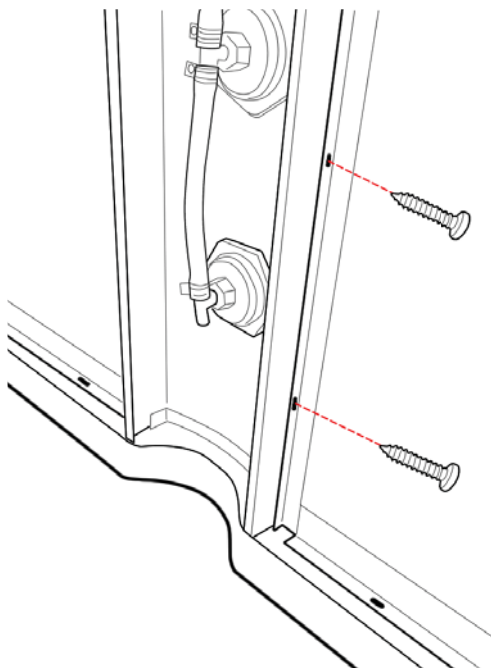
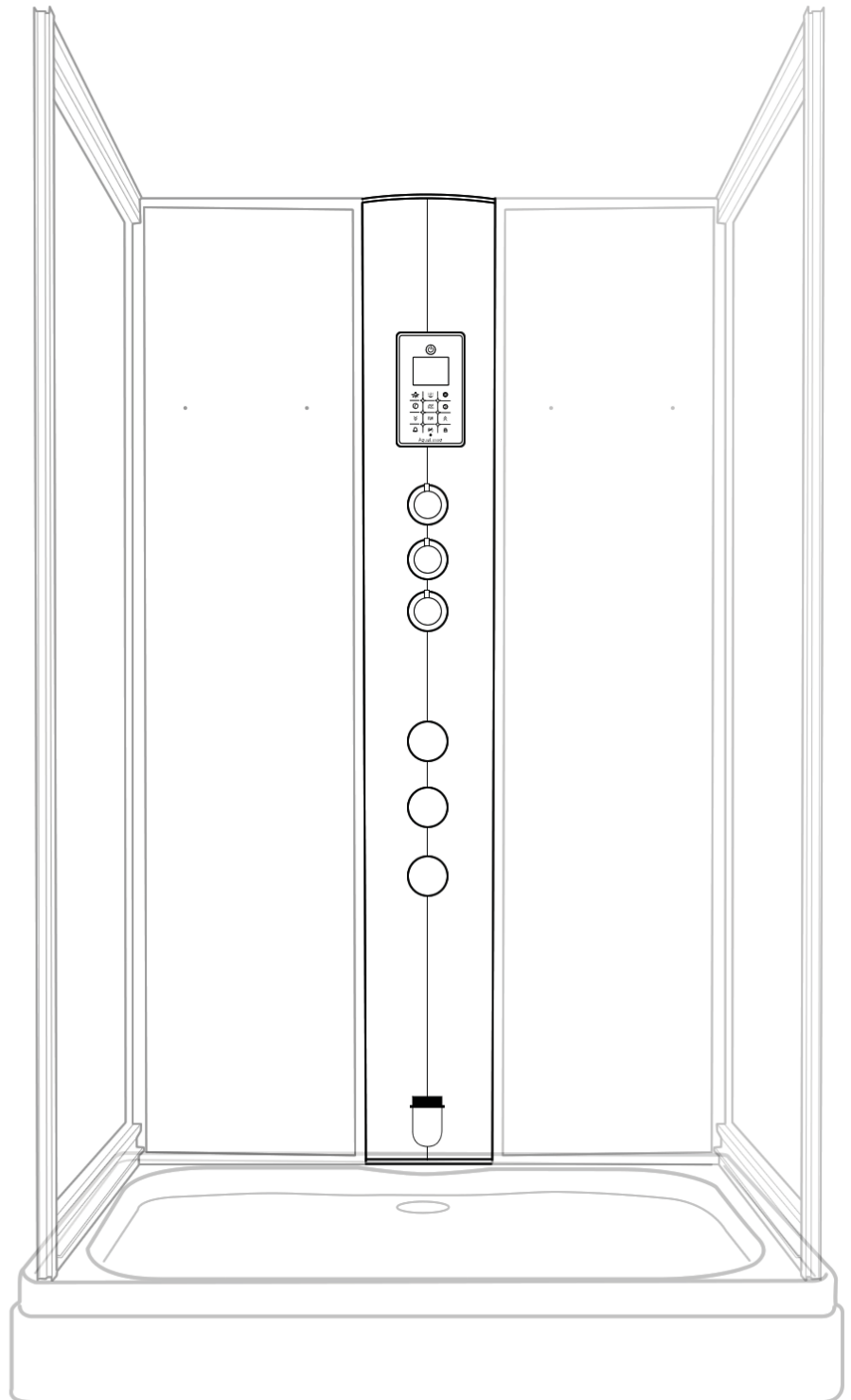
Locate the central tower panel. This is the part with the control pad, shower valve and body jets.

Ensure you REMOVE the rear white plastic housing covering the valve and pipes before installing as mentioned in the first part of the installation.

Position the central tower panel between the two rear framed glass panels. Do this from the INSIDE of the shower.

At the rear of the shower, check and align the holes in both the tower panel and the rear framed panels and affix them together using 16mm screws - 4 vertically on each long side of the tower panel.

Once the tower is in position and secured, you can now fix the rear glass panel to the tray using the 2 screw fixing points in each framed panel, downwards into the tray.

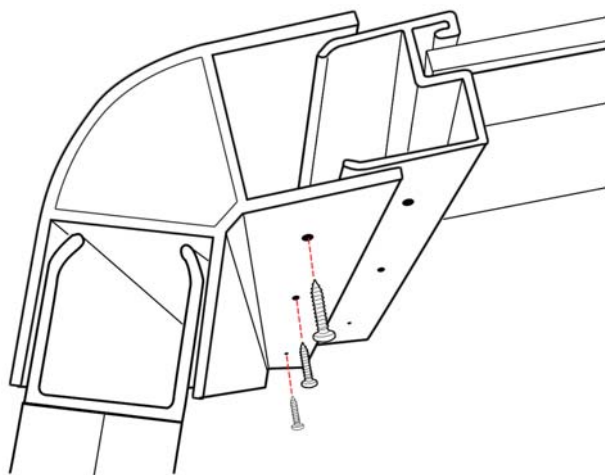
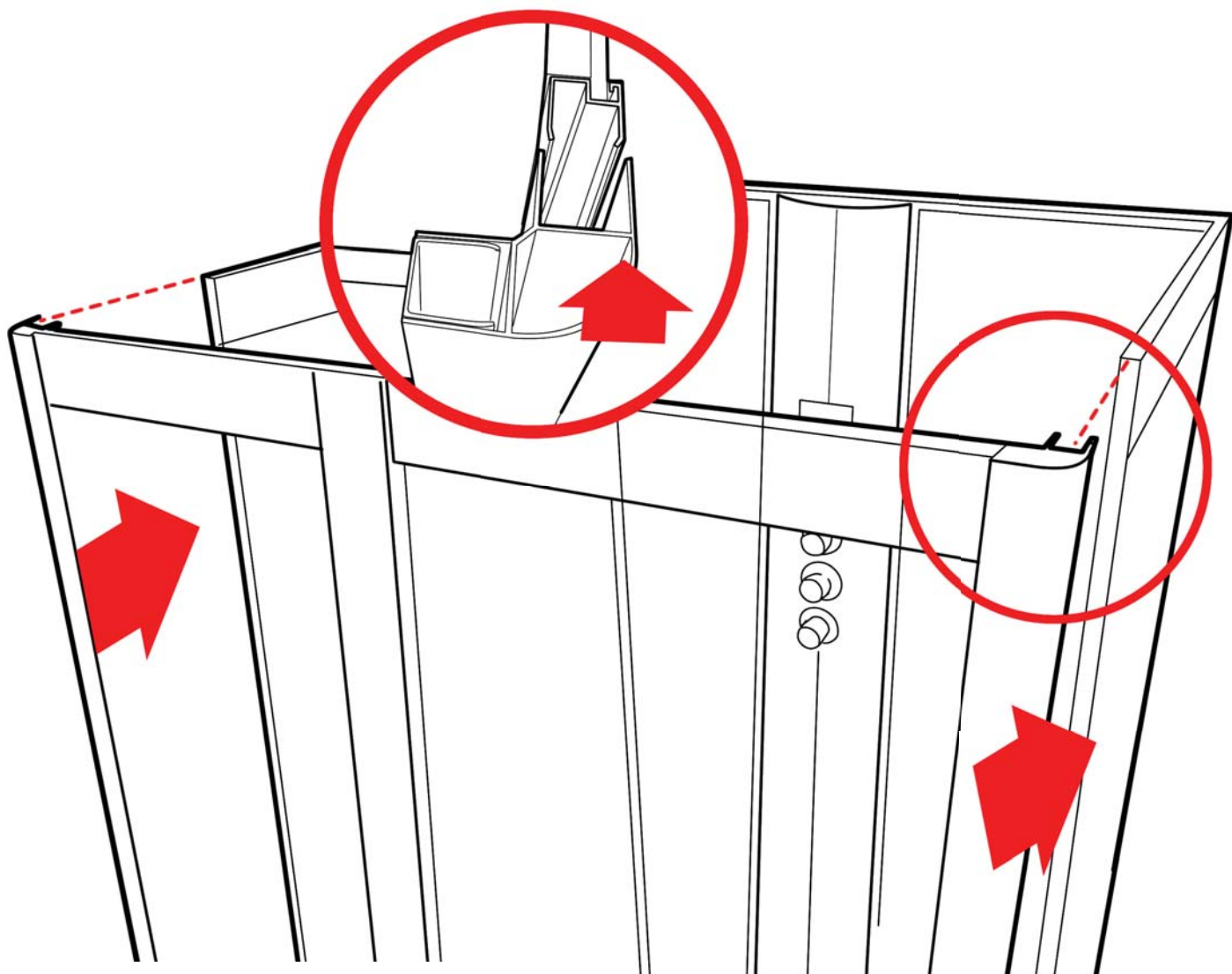


## 10. FRONT FRAME INSTALLATION

The front door frame assembly can now be installed.

The corner sections that were fitted in section 7 have channels that enable the side walls to slide into.

Offer up the front frame assembly and locate both side walls into the channels, then lower onto the tray in position.

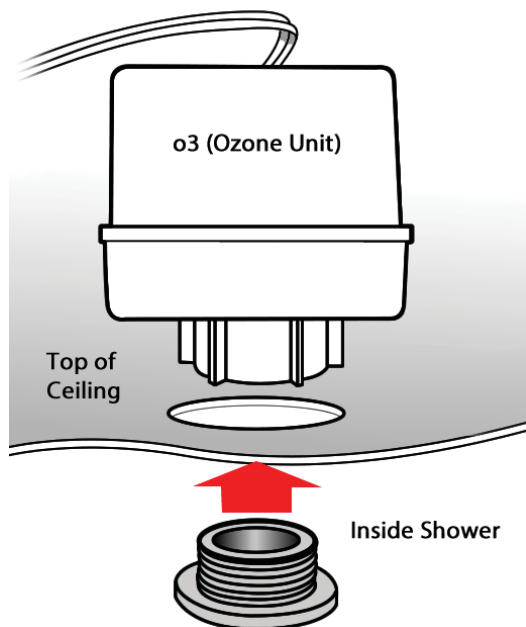


Have one person hold the front frame in position as you fix it in position. On the inside of the shower front corners are 4 holes vertically on each side. Using 10mm screws, join the front frame and side panels together at the 6 fixing points until all are secure.

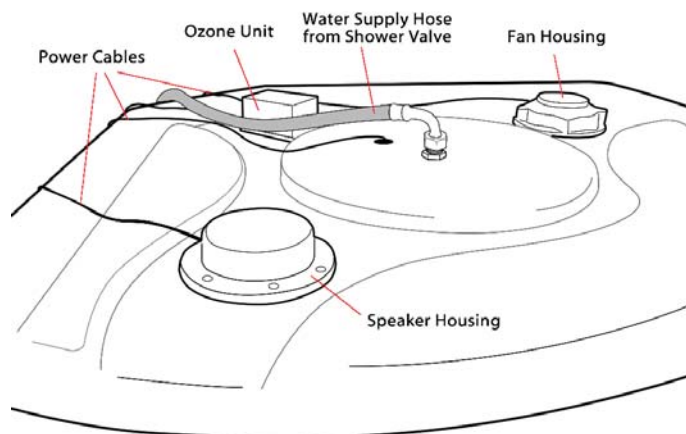
## 11. SHOWER CEILING

Remove the protective film from the roof/ceiling.

If not already pre-fitted, fit the monsoon rain shower head into the centre of the roof. It is held in place with a retaining nut located on the outer/ upper face of the roof. The monsoon also has a protective film on it.



Ozone unit may differ in shape from this representation



The speaker, fan, and light will be pre-fitted. Ensure all the cables are unraveled to enable location and connection at a later stage.

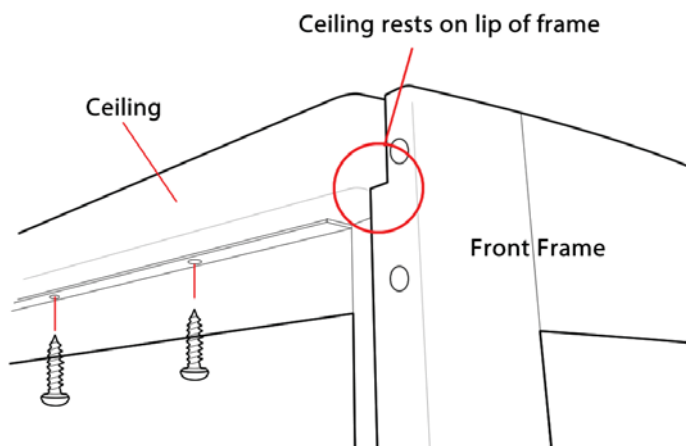
The Ozone unit is supplied separately and will need to be fitted. Unscrew the chrome end from the main body of the ozone. Position the white unit on the up (outside) of the roof and fasten in place by screwing the chrome end into it.

The Ozone will be located over the hole in the roof towards the back corner.

You can now place the ceiling onto the shower. The front will sit behind the front silver frame and the rear will rest on the top of the rear glass panels.

The ceiling is fixed in position at the REAR ONLY by screwing up through the re-drilled holes in the rear panel, into the ceiling. Fixing requires 4 of the 16mm screws, two along each flat of the ceiling.

Now ensure all the cables for the ozone, light, fan and speaker are hanging down the back of the shower ready to connect.



### REPLACING THE CEILING LIGHT

Your shower is fitted with an LED 'Halo' Ring light. This light should provide a long service life if used correctly. If you need to change your ceiling light once the shower is installed, please turn off the water to the shower first, then disconnect the water supply pipe to the monsoon rain shower on the roof of the shower. Loosen the retaining bolt for the monsoon and lower into the shower. (we suggest you have another person inside the shower to hold it from falling).

From inside the shower with the monsoon removed, the light diff user cover will also come free. Disconnect the power cable to the light on the roof of the shower, unscrew the retaining screws for the light and remove.

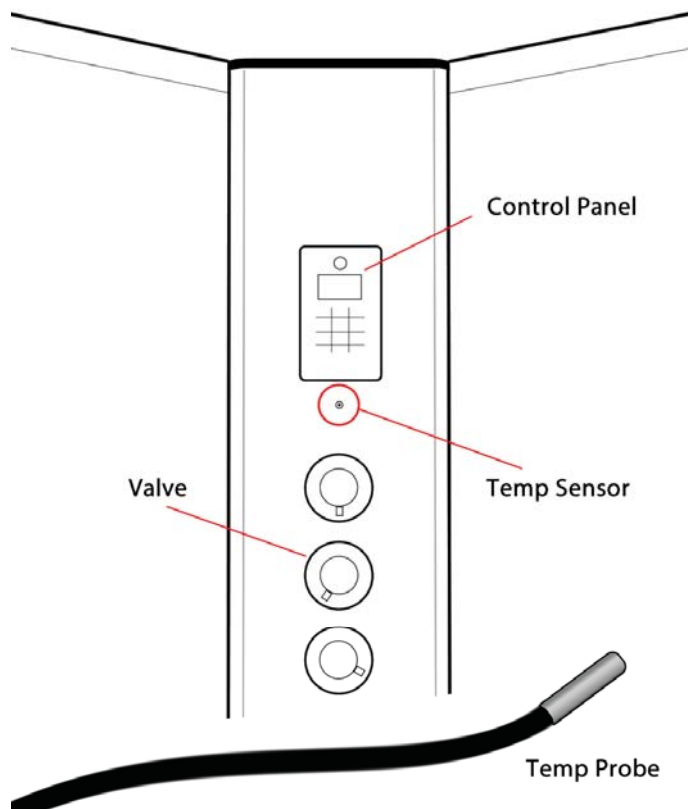
To fit the replacement, simply reverse the process.

## 12. STEAM TEMPERATURE SENSOR

This steam shower model is fitted with a temperature sensor that monitors the internal cabin temperature. The temperature is selected on the control panel. When the internal cabin temperature reaches the predefined temperature it stops steam production until the temperature falls below, where upon it re-activates the steam production again.

The steam sensor should be fitted from the rear of the shower. Just below the control panel you will see a small silver grommet. This is where the head of the sensor will project into the shower.

From the rear of the shower, locate the black cable of the temperature sensor. It has a silver tip. Push the silver tip into the rear of the grommet so that its head protrudes into the cabin. Now fix in position with a small amount of silicone.

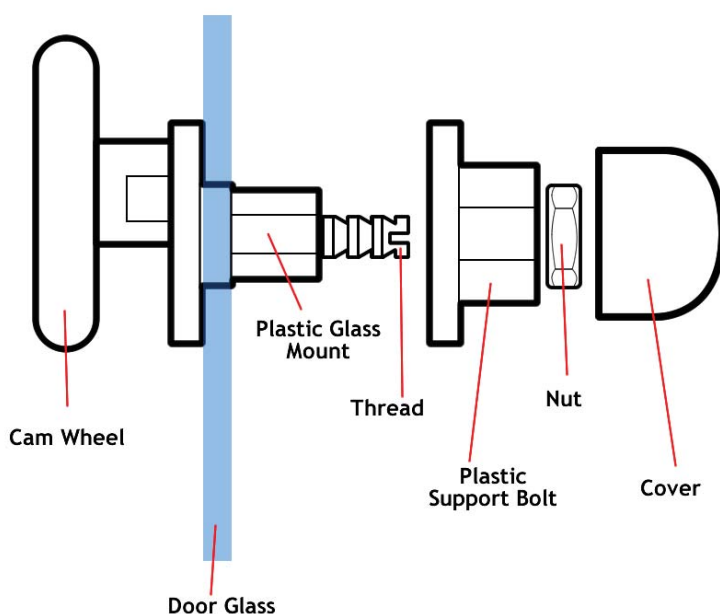
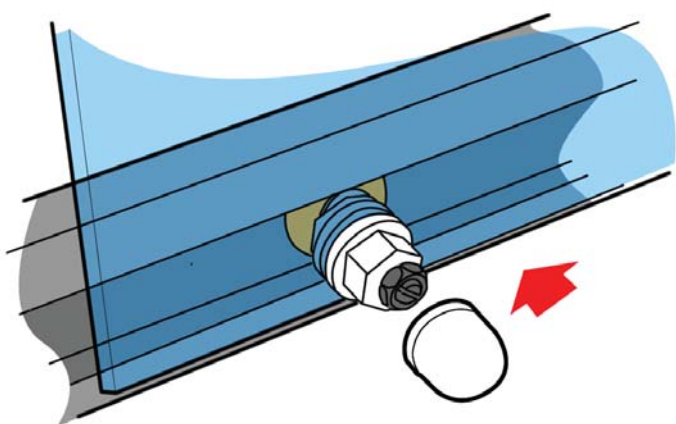


## 13. FITTING THE SHOWER DOOR WHEEL RUNNERS

The Alto 50 Steam Shower has a single sliding door. The door slides on door runner wheels. The shower door has two holes at the top and 2 holes at the bottom of the panel as well as two holes for a door handle midway on one edge.

Locate the shower door wheels. These are fitted to the upper and lower positions in the shower door. The axle of the wheel is OFFSET. This is to allow you to adjust the height of the wheel so that it runs correctly. First fix the upper wheels to the glass door then hook the upper wheels into the track. Now, with the glass door hanging, carefully fit the lower cams and push the wheel into the lower running track.

Check the door runs smoothly and evenly. If you need to adjust the height, remove the cover cap, loosen the Nut and adjust the wheels position before re-tightening and fitting the cover cap back in place.



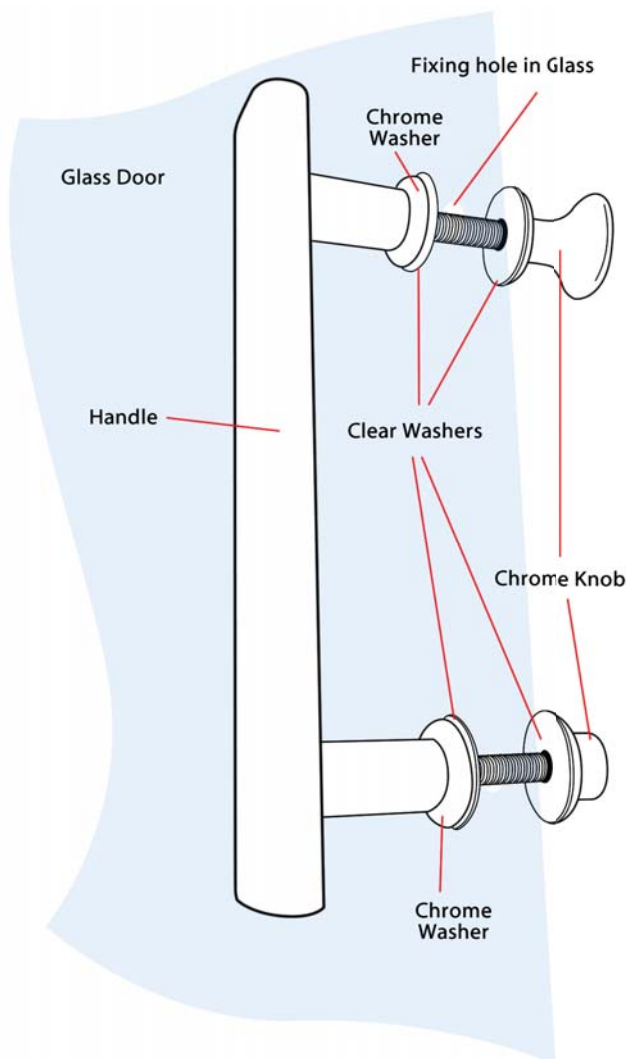


## 14. FITTING THE DOOR HANDLE

The shower door requires a chrome finished door handle to be fitted.

The handle is comprised of several parts. Position the main handle part on the outside of a door ensuring the Chrome Washer and a Clear Washer are positioned also on the outside face over the thread. Push the threaded ends through the glass. Next place another clear washer on the threads and then screw on the two different Chrome Knobs to the inside of the glass door.

Tighten until secure. **DO NOT OVER TIGHTEN.**



## 15. USB CONNECTOR

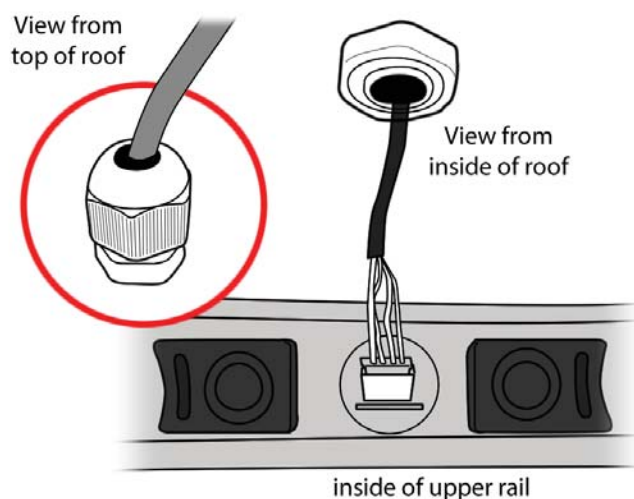
The shower has a front mounted USB port. This is located on the outside of the upright pillar.

Locate the USB connector cable. Unscrew the white nut fitted to the white domed end of the cable.

Pass the smaller (plug) end of the cable through the hole on the front edge of the roof from outside to inside and then through the nut you have just removed.

Now on the upper (outer) side of the roof, position the white domed part over the hole and using the nut that is now on the inner side of the roof, tighten the two parts together.

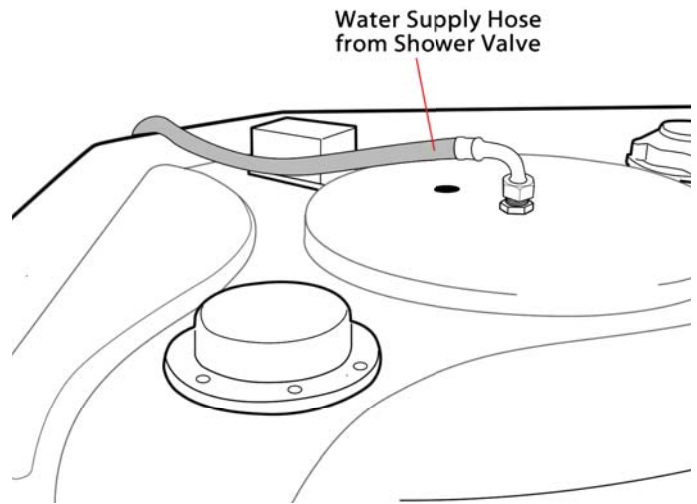
Plug the small white connector into the port located on the inside of the upright pillar. Adjust the length of the cable passing through the domed Gromit.



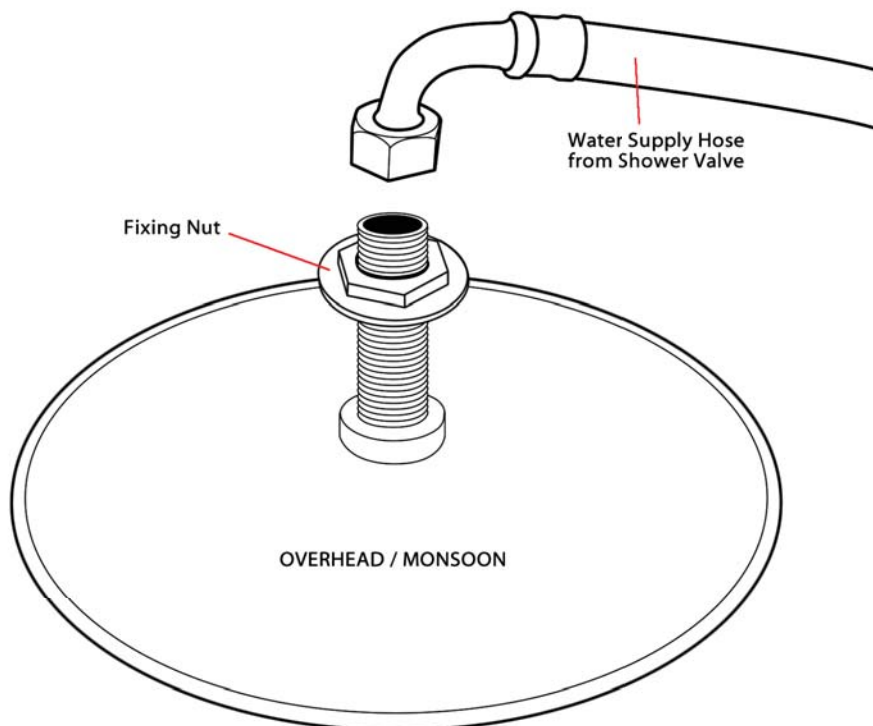
Finally, on the other end of the connector cable is a Female USB connector, locate the USB cable from the generator and plug the two parts together. On the outer face of the rail, rotate the black cover though 180 degrees to access the USB port for your memory stick.

## 16. OVERHEAD/MONSOON SHOWER

The overhead shower is fitted into the ceiling from the inside. The overhead shower first passes through the light diffuser cover (inside the shower), so that the threaded end of the overhead shower passes out through the ceiling. Fit the FIXING NUT onto the threaded end on top of the ceiling to hold the shower and diffuser cover securely in place. Next locate the water supply hose coming from the shower valve and identified as being the overhead water feed. Fit the threaded end of the water supply hose onto the overhead shower's threaded section and tighten.



**REMOVE THE PROTECTIVE FILM ON THE FACE OF THE MONSOON BEFORE USE.**



### TEST FOR LEAKS

Make sure the connection is tested and is watertight. You may wish to use some PTFE tape or other suitable products to provide the best water tight seal on this joint.



## 17. HAND SHOWER AND RISER

You are now ready to assemble and connect the hand shower.

The hand shower comprises of:

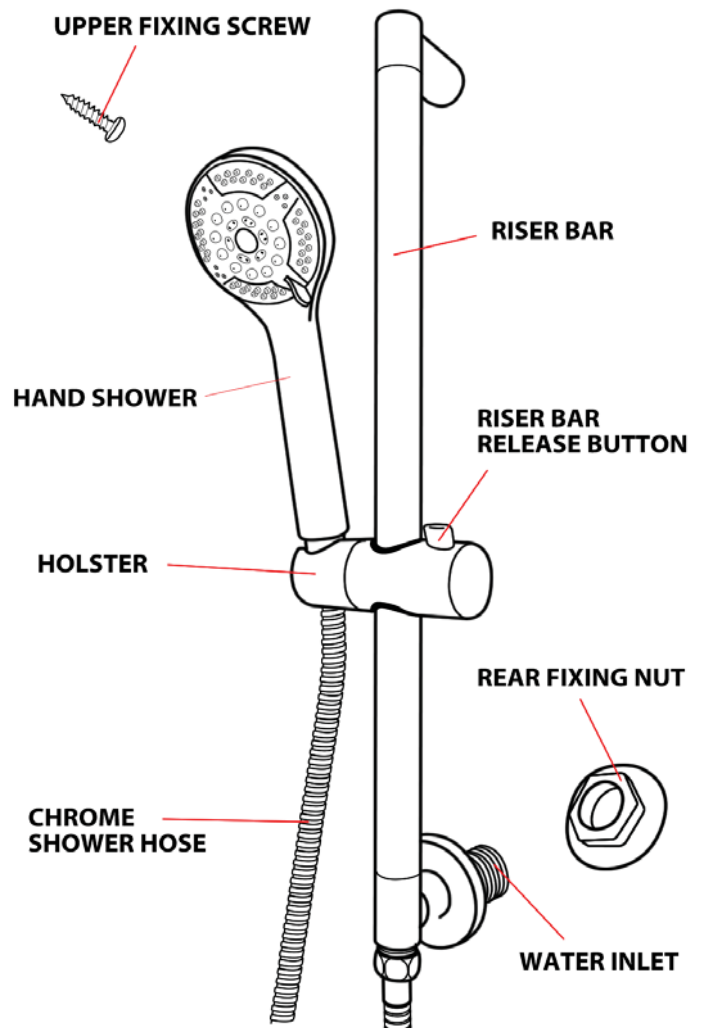
- Multi function hand shower
- Chrome finished riser bar
- Hand shower holster
- Chrome water hose
- Rear retaining nut
- Fitting screw

The lower part of the riser bar has a threaded water connection. Position this part through the larger hole on the rear glass panel.

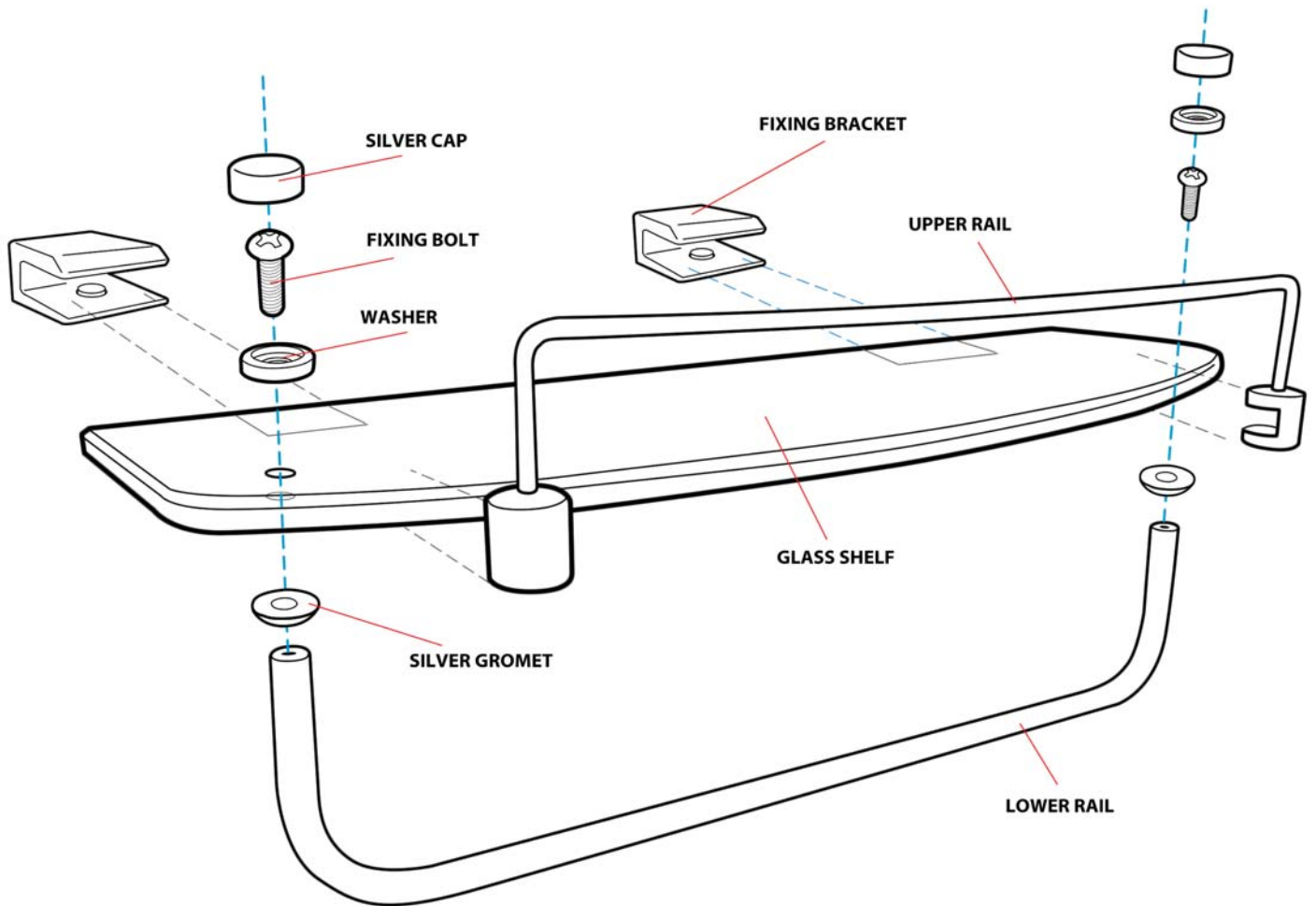
Fit the rear fixing nut from the rear of the shower to hold in place. Secure the upper part of the riser bar with the screw provided. Tighten both until secure.

Connect the silver hand shower hose to the lower part of the riser bar and the other end to the hand shower head.

At the rear of the shower, locate the grey water supply hose coming from the shower valve and connect to the water inlet of the riser bar. Test this water connection to ensure it is water tight. Using some PTFE tape or other product may help to achieve the best watertight connection.



## 18. GLASS SHELF



Assemble the shelf fully before fitting into the shower.

Position the lower chrome rail over the holes in the glass on the underside of the shelf with the silver grommets positioned between the two.

On the upper side of the glass, pass the bolt through a washer and through the hole in the glass and fasten into the end of the lower rail.

Repeat the previous step on the other end of the lower rail so that the rail is securely fixed in place. Take the two silver caps and fit them over then ends of the washer and bolt to provide a clean finish.

The upper rail pushed over the glass from the front. Using a flat head screwdriver, tighten up the fixing point of the front rail, which is located on the underside.

Position the two fixing brackets onto the inside of the rear panel of the shower in the holes provided. Fix the brackets at the rear of the shower with the supplied bolts and washers.

Place the glass of the shelf centrally into the slots of the brackets and then tighten the fixing points on the underside of the brackets to hold the shelf in place. **DO NOT OVER TIGHTEN THE BRACKET CONNECTIONS AS THIS MAY BREAK THE GLASS.**

## 19. SHOWER VALVE

The shower valve can be accessed from the rear of the shower and is located on the central tower.

The valve is divided into three parts that are joined together.

The uppermost part is the diverter. There are three connections able to be made here. One to the overhead shower from the outlet pointing upwards, another to connect to the body jets and the third connects to the hand shower/riser bar water inlet.

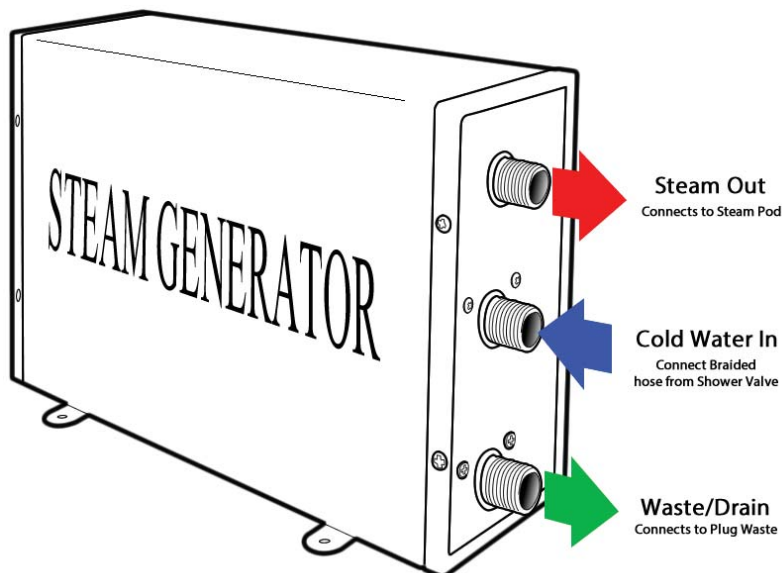
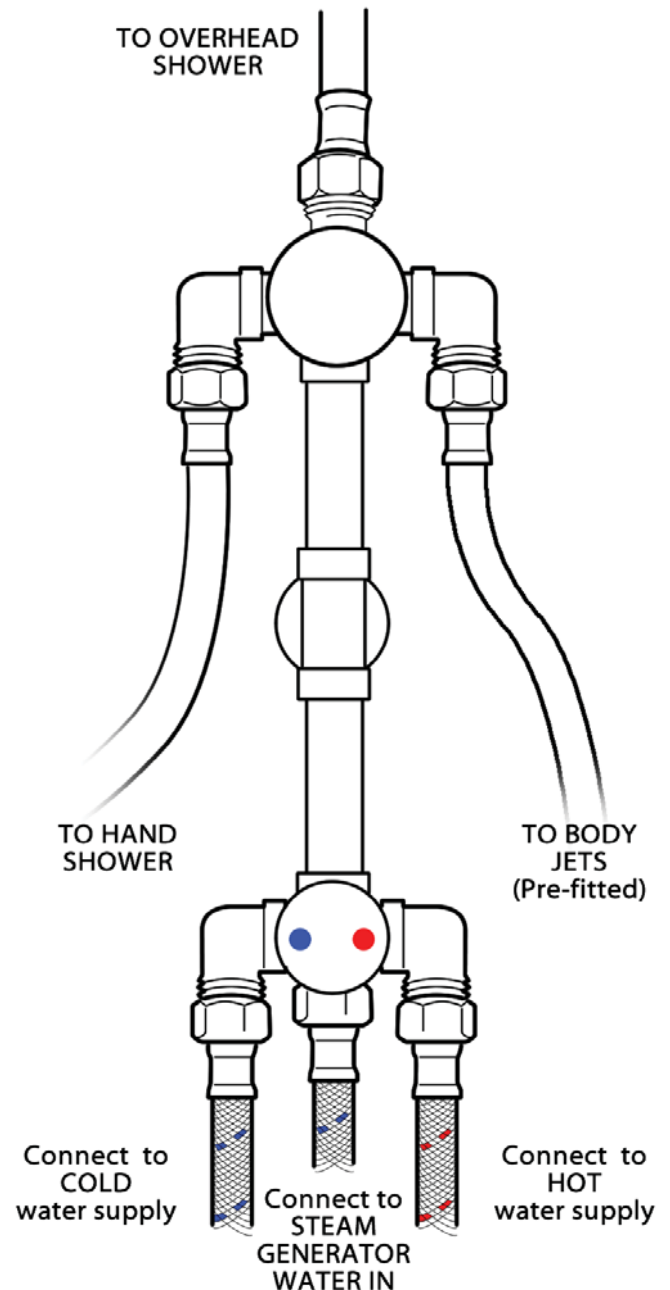


**When making the connections, ensure they are water tight. Check all pre-fitted hoses as these may only be hand tight during manufacture.**

The middle part of the valve handles the water on and off. There are no connections to be made here.

The lower part of the valve has three connections to be made. The HOT and COLD water supplies from your property connect to the outermost connections - ENSURE THE FEEDS ARE THE CORRECT WAY ROUND. The third connection is a cold water supply from the valve and connects to the WATER IN on the steam generator.

**REMOVE THE WHITE PLASTIC BOX SECTION THAT MAY BE COVERING THE VALVE ACCESS AT THE REAR - THIS IS FOR TRANSPORT PURPOSES ONLY AND IS NO LONGER NEEDED.**



Cold Water IN from the shower valve connects to the Steam Generator (your steam generator may look different than the image opposite, but the connections are marked the same).

The STEAM OUT connects to the rear of the Steam Pod via the INSULATED HOSE to supply Steam into the shower.

Waste/Drain allows un-used water in the generator after it is used, to exit into the underside of the Plug Waste via a thin grey hose.

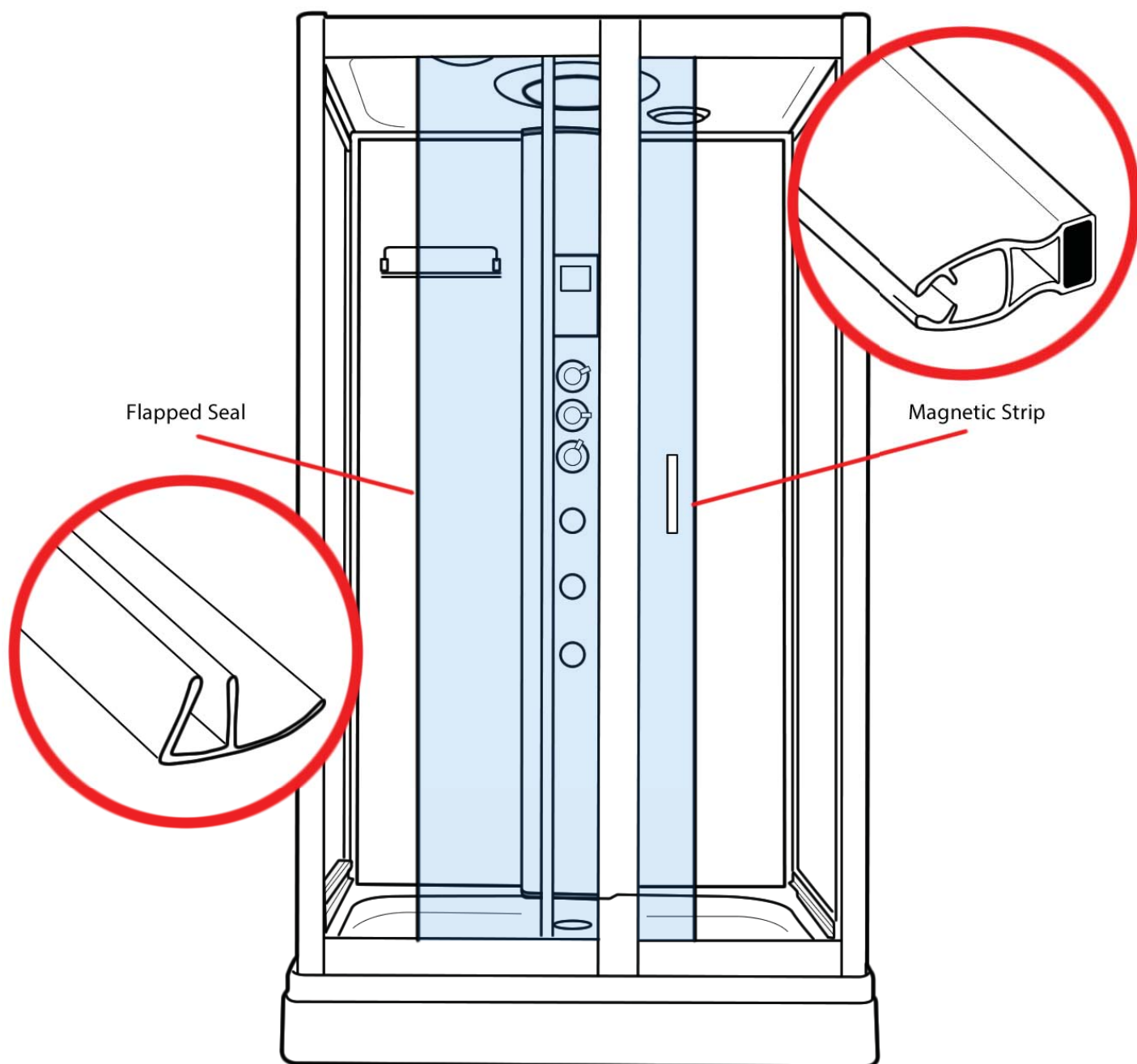
## 20. SHOWER SEALS

This shower comes with 1 flapped shower seal that fits onto the trailing edge of the shower door.

The seal is not designed to touch the glass fully so as to avoid squeaking, but will provide enough cover to stop water escaping around it.

### MAGNETIC

The magnetic door strip fits onto the leading edge of the shower door. The other end it pre-fitted to the frame to which the door closes to.



# Water Connections

This product requires a hot and cold water supply. Your Hot and Cold water supply pipes should ideally be finished about 1 meter above the floor centrally in the corner and finished with 15mm compression fittings. The shower has two braided flexible hoses that connect to these water supply pipes from the shower valve.

WATER PRESSURE: 1-3 bar (ideally above 2 for optimum results)

WATER FLOW: above 7.5 litres per minute

Fitting Isolating valves is recommended as this makes service access easier than locating the house Stop Cock. Additionally Isolating valve enable you to disconnect water to the shower if you are away from home for long periods of time.

## Combination boiler installation and PEV's

This product does not normally require a Pressure Equalising Valve (PEV) as it uses the latest generation of shower valve Thermostatic Cartridge, which enables it to handle un-balanced water pressures itself, to provide accurate temperature control.

This shower product can be connected to Combi Boiler system that provide suitable water pressure and water flow rates.

## Gravity Fed and Shower Pumps

Where the water is supplied by a hot water cylinder (gravity fed type systems) a shower pump should be installed. Ideally a shower pump rated over 2 bar supplying just the shower is recommended, or alternatively a pump of higher specification can be fitted to supply multiple showers within the property.

When choosing a pump, a twin impeller pump is recommended as this will ensure both the hot and cold water is of the same pressure.

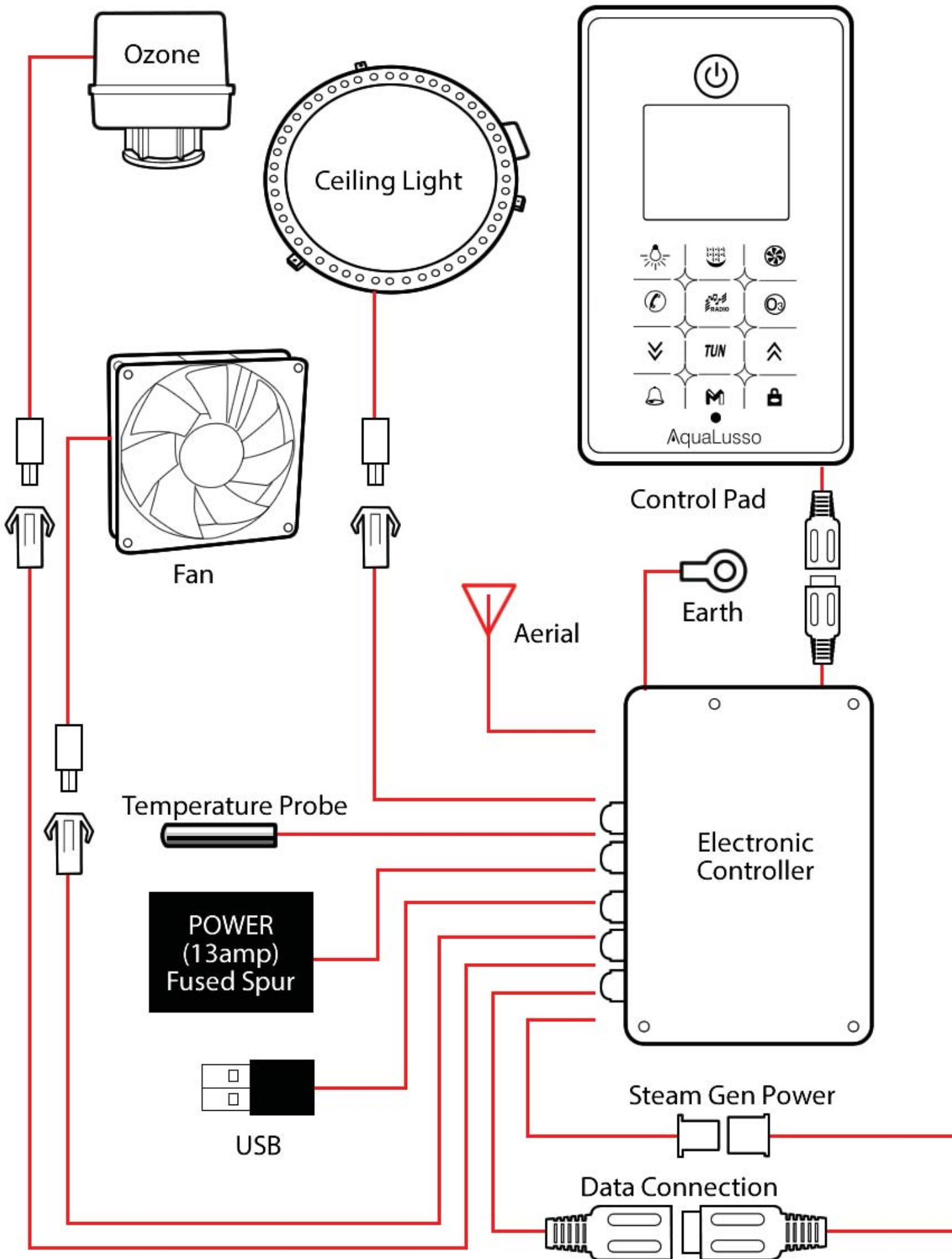
Always refer to the manufacturers instructions regarding shower pump installations and choose the correct type for your particular situation (negative head/positive head etc). All pipe work between the storage tank, cylinder and to the pump should be 22mm and the shower positioned at least 250mm below the header tank. Please note that locating the pump further from the shower and cylinder may reduce the effectiveness of the pump and will certainly reduce the output pressure of water.

Ensure the pump is correctly installed and commissioned. Failure to fit the pump in accordance with the manufactures instructions may result in inadequate water supplies and lead to pump pulsing etc.

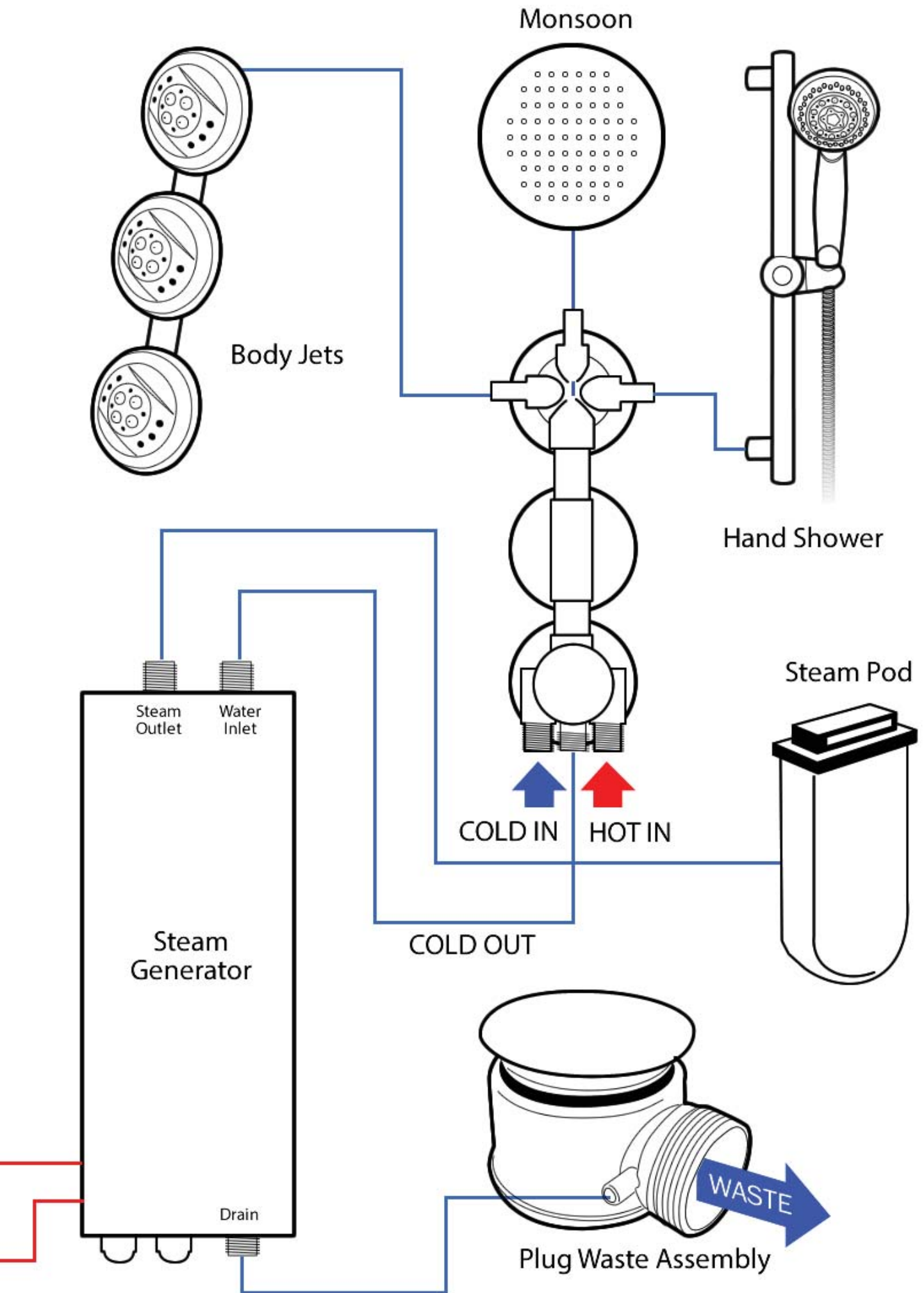
**Maximum pressure: The shower requires water pressure up to but not exceeding 3 bar. Exceeding this maximum rating may damage the product and will invalidate your Warranty.**



**CHECK ALL WATER CONNECTIONS ARE WATERTIGHT. PREFITTED CONNECTIONS MAY ONLY BE MADE HAND TIGHT AT MANUFACTURE AND/OR MAY WORK LOOSE IN TRANSIT**









# Electrical Connections

## MAIN POWER

This Steam Shower requires connections to MAINS ELECTRICITY.

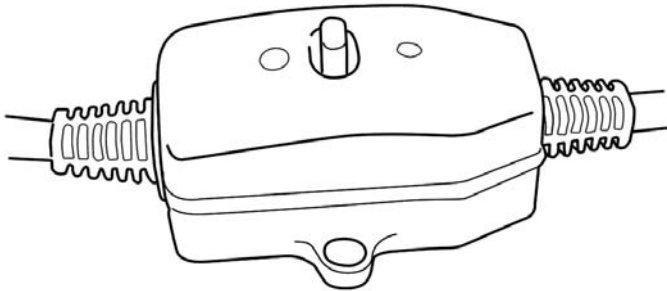
1 x 13amp

The Shower is delivered with a standard 3 pin plug on the end of the power cord. This is for TESTING purposes only.

For final fix this product MUST be connected via an ISOLATED FUSED SPUR. This work may require the services of a Qualified Part P Registered Electrician.

## RCD (Residual Current Device)

This shower product also comes pre-fitted with an RCD. This device provides safety cut of in case of an electrical fault.



If the Main Board (Consumer Unit) in the property is already RCD protected you MUST remove the one fitted to this product.

## STEAM GENERATOR & ELECTRONIC CONTROL UNIT

This model has a separate Steam Generator and Electronic Control Unit. Both parts have a Data Cable to provide electrical communication between each part and a Power transfer connection. Make these connections and ensure they are secure.

## CONNECTING LIGHTS, FAN, OZONE Etc

Each component needs to be connected to the Electronic Control Unit.

Each component (Fan, Ozone, Speaker etc) has a thin 12v cable with a plug on the end. You will also see that each cable has a sticker with an Icon to indicate what it is.

The electronic control unit behind the showers central tower panel has a large number of cables. Again, each of these cables has a similar plug and a label corresponding to those of the Fan, Ozone, Lights etc. Match each item and make the connection securely.

## AERIAL

Position the Radio aerial wire in a position that allows the radio to receive the best possible signal. Note that local interference from Taxis, Ham Radio, Emergency Service, Hospitals etc may affect reception.

## ELECTRONIC CONTROL PANEL

The Shower has an electronic control panel to allow you to operate and control the steam production, lights, radio and audio system. Locate the communication cable coming from the panel at the rear of the shower and connect it to the corresponding cable that will be found coming from the electric control unit. This connection uses a series of small pins inside, CARE MUST BE TAKEN MAKING THIS CONNECTION to not bend the pins. The plugs are marked with an ARROW to identify which way they connect.

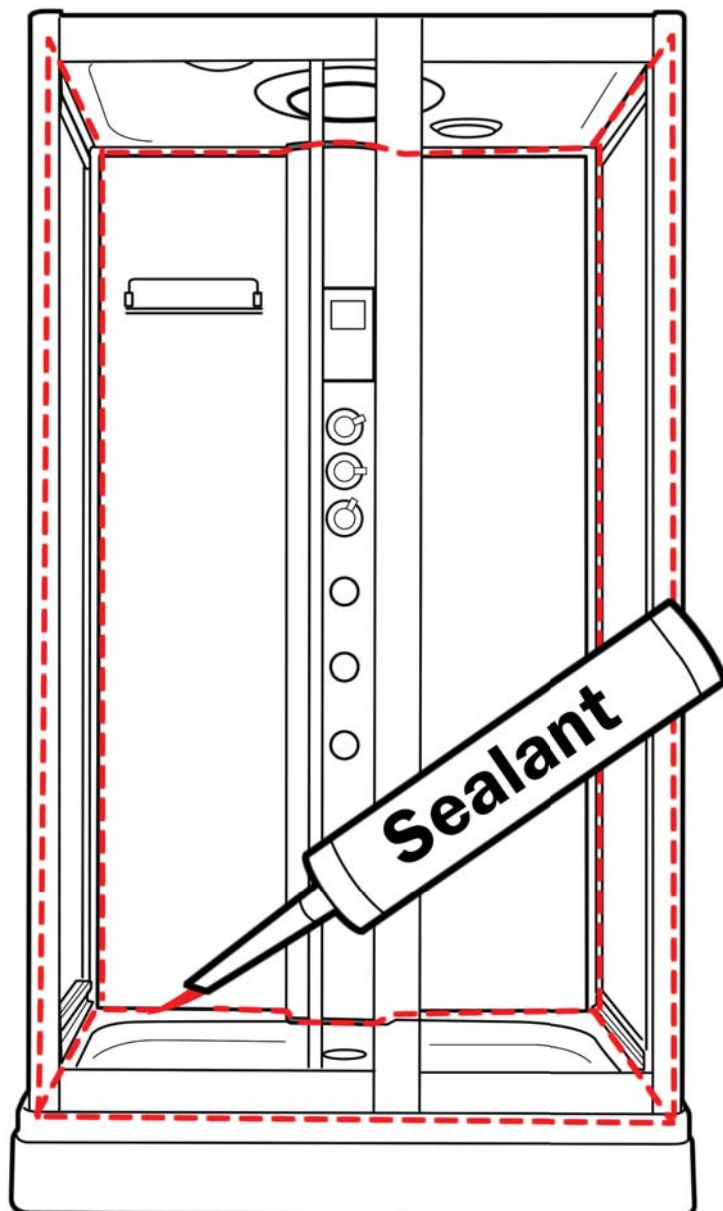
**You MUST ensure all electrical work is carried out in accordance with current Legal requirements.**

## Sealing the Shower

We recommend that you seal the shower internally with a good quality bathroom sealant to provide an extra level of water proofing.

After allowing the sealant to set (as per the sealant directions), water test the shower and check for signs of water leaking, please attend to them as required.

In most cases sealant need only be applied to the areas marked in **SOLID RED** on the diagram, however you may choose to seal on additional places on the shower. As marked by the **DASHED RED** lines.



# Final Testing

Check and test that each outlet function (hand shower, body jets and monsoon) work as expected by rotating the DIVERTOR DIAL (top chrome dial).

Check the ON/OFF dial enables the water to be fully on or off in the position indicated on the valve markings.

Check the Temperature can be increased and decreased by turning the lower chrome shower valve dial. Test that the button can be pressed at 38 degrees to turn the dial to the hottest settings.

Check the water runs to the waste/plug efficiently. A small amount remaining in the tray is normal.

## FAULT FINDING

### **Water does not exit tray fast enough.**

The tray must be leveled and a suitable 'fall' on the tray that enable the water to run to the plug. Additionally, the waste hose (under the tray) should have suitable fall to allow water to exit quickly.

### **Water pressure / flow is low on some or all shower options.**

Check all the hoses are not trapped or kinked and thus restricting flow. Check also that any washers are not out of position and restricting flow. Ensure you have OVER 7.5 litres per minute flow and over 2 bar water pressure.

### **Water is 'pulsing' .**

If a pump has been used to supply water under pressure and the back jets, or hand shower cause the pump to start and stop (PULSING WATER), remove the NON RETURN VALVES. Remove the Braided hoses at the rear of the shower. Look inside the valve where the hoses connected and you will see a silver coloured 'C' clip. Remove this and this will enable the NRV to be removed (white plastic item). Refit the hoses and re-test. Pulsing may also be noted where a pump has not been fully commissioned and there is air in the system.

### **Doors do not meet correctly and or bind when opening or closing.**

Adjust the door runner cam wheels correctly to enable smooth running and operation.

### **Water is leaking out of the shower.**

Dry the shower fully. Once dry, turn on the shower and operate the functions and look for where the water is leaking from. Apply sealant to the area where the water is leaking from.

### **The shower temperature is low.**

If the water in the rest of the house is at a suitable temperature, then you may need to replace the thermostatic cartridge. Limescale or other dirt can impair the function of the cartridge.

For more help with your shower, please call 01422 410769 and our technical team will be on hand to help.

# Valve Operation

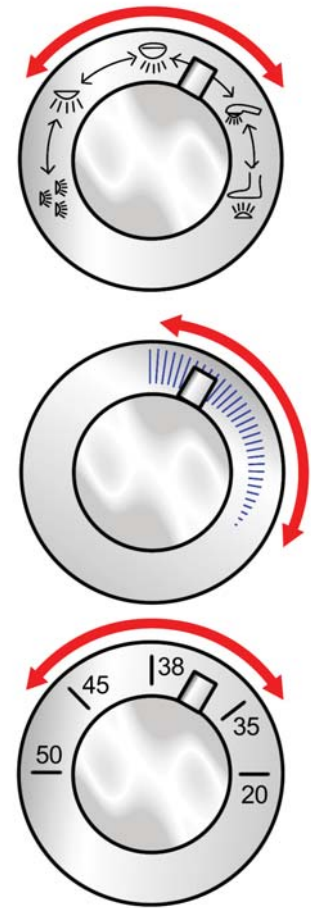
There are 3 control dials inside your Shower Cabin. These dials control the output functions, water flow and temperature of your shower.

The top dial can be turned to allow you to choose which output you wish to use: Body Jets, Overhead (Monsoon) Shower and Hand Shower. Turn the dial to the required output, there will be an audible click as the selection is made. Do not turn the dial when water is flowing as this will decrease the life of the selector mechanism.

The middle dial adjusts the water flow rate. The dial rotates through 90 degrees. This dial also acts as the on/off for water flow.

The lower dial controls the temperature. The dial rotates from 20 degrees to 38 degrees and then will stop. This is a safety feature. To enable temperatures higher than 38 degrees, simply press the knob on the dial in (toward the main dial) and then turn the dial past the 38 degree mark.

Turning the temperature dial past 30 degrees MUST be done with care to prevent scaling.



# Safety Precautions

On models fitted with Steam functions, it is normal for the steam generator to get quite hot during use. Please allow up to half an hour for the generator to cool before touching associated areas including the steam pod.

Always disconnect or isolate the water supply to the shower before commencing any investigations, service or replacing parts. Where the product has electrical power, this should also be turned off .

Children should NOT use the shower unless under strict adult supervision.

All products are single person occupancy unless otherwise sold as twin person.

The tray surface inside the product can become slippery especially if soap, gel or shampoo is on the surface, we therefore advise care when stepping in, out and during use.

Maximum duration for steam use is 15 minutes continuous use. Allow the cabin and steam generator to cool to room temperature naturally to avoid damage to the acrylic. DO NOT apply cold water to the cabin immediately after steaming as this may cause damage to the acrylic or glass.

# Electronic Control Panel

Your steam shower is fitted with an electronic control panel that allows you to operate the electronic features of your shower.

From the control panel you can control the lights, Steam, Radio, USB and Bluetooth audio.



## Power ON / OFF

In standby mode this button is lit Red.

Press and keep pressing the power button until the panel beeps and the light turns Blue. The Panel is now active.

If the panel is not used for 30 seconds, the panel will LOCK. This is noted by the lines in the display FLASHING. To deactivate the LOCK, simply press and hold the POWER button until a beep is heard and the lines stop flashing.



## LIGHTS

This model comes with an LED 'Halo' ring light surrounding the monsoon. Press the light button. With each press, the display will show ON1, ON2, ON3, OFF. The panel is able to accept up to three different light relays, hence the various light modes. Toggle to OFF to turn the light off.



## STEAM

Pressing the Steam button activates the steam Generator.

Press the M button to toggle between the Temperature and Duration/Time settings. Temperature is the setting the cabin will try to maintain inside the cabin and duration is the length of time you plan to use the steam. Do NOT use the steam function for longer than 15 minutes in a session, allowing to fully cool before re-use.



## FAN

The circulation fan can be activated to draw air/steam inside the cabin out. This may be used in conjunction with the steam.



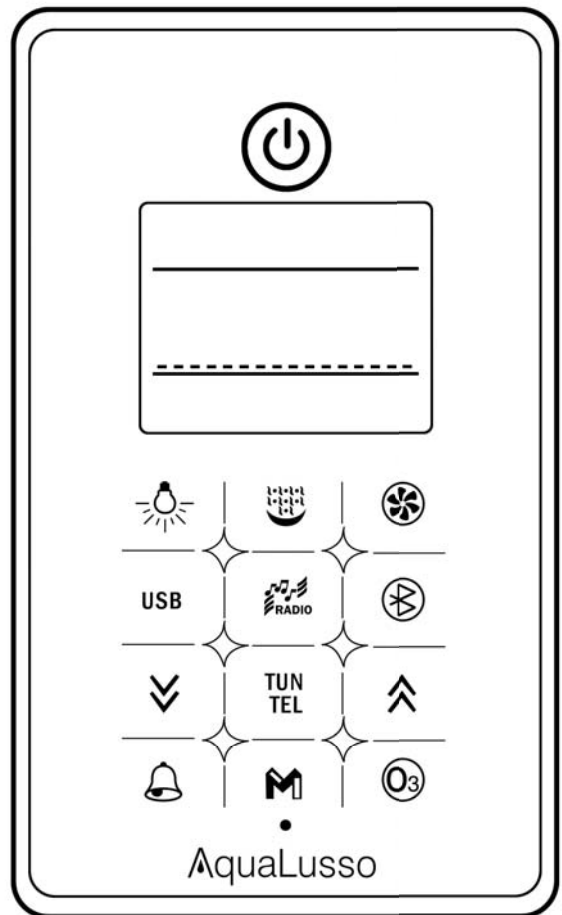
## USB

The shower can play MP3 audio files stored on a memory stick inserted into the port on the shower. Press the USB button to read the USB stick. Press the arrows UP/DOWN to skip tracks. Press the 'M' button to change the display to show volume control. Now use the arrows to change the sound level. In this mode the Power light is lit Yellow.



## RADIO

This button activates the built in FM Radio. In this mode the power button will be lit White. Pressing the TUN TEL button and then using the ARROW buttons allows you to change radio frequency.



## BLUETOOTH

Pressing this button will allow you to receive audio played from Bluetooth enabled device. You can control volume and skip tracks as described for the USB option. You will have to PAIR the shower to a bluetooth device first - see following page. When this mode is activated then Power button will be lit Red.



## ARROWS

The Arrow buttons control Tuning, Volume, Track Skip etc depending upon which mode is currently selected.



## TUN TEL

Pressing this button will allow you to enter the tuning mode when the Radio is activated. The current frequency will be displayed and by using the Arrow keys can adjust the precise frequency.



## M

The button can be used to Store Radio stations into Memory. The button also serves as a toggle the function of the ARROW keys for time/temperature/track/volume/tuning etc.



## OZONE

Close the shower doors and press the Ozone button. Leave the shower to carryout the process which takes approximately 10 minutes. then open the doors and allow the shower to fully air dry. This device does not may any audible or visual notification other then the panel display, but the aroma of Ozone may be noticeable when you open the doors. The Power button flashes during this process.

# Bluetooth Pairing

Before you can start streaming Audio to your shower you must first establish a connection between the shower and the device that will stream the audio to the shower; this is called Pairing. You can stream up to 10 meters away, depending upon interference of walls etc.

Most devices that are Bluetooth Audio Streaming enabled can be connected to the shower, such as Smart Phones (Andriod, iPhone etc), Tablets (Galaxy Tab, iPad etc) and even computers and Laptops.

1: Press the BLUETOOTH Button on the control pad. The display will now say BT.

2: On your Smartphone/Tablet etc, go to the Bluetooth settings (If unsure, refer to your manual for more information on how to access this)

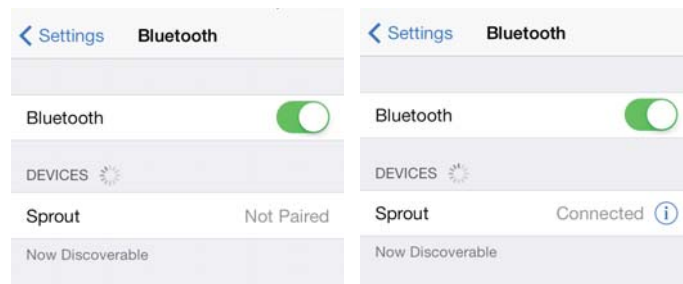
3: Ensure Bluetooth is active/running on your device.

4: Initiate a SEARCH/SCAN for New Devices to Pair to.

5: After a small amount of time you should see the device name of the shower appear " SPROUT". Select this to complete the Pairing of the two devices.

You are now ready to stream audio. Go to your music playing App, choose a track and press play.

Once Paired you can stream music at any time to the shower. Only once device can be Paired at any time.



*Due to the various different number of devices that have Bluetooth, and the variations on the implementation of Bluetooth enabled in your device we are unable to guarantee connectivity or to provide support for connecting, however the product has been tested on a number of Apple and Android Tablets and Phones with complete success.*

# Cleaning and third party product use

This shower should be cleaned after every use to remove the build up of dirt and bacteria. We would recommend that after normal showering use, that the cabin doors are left open until the inside is fully dry. This will help prevent the build up of soap scum, dirt and bacteria.

The shower cabin can trap dirt in gaps between joints of panels etc, which may require extra care and attention during cleaning. To minimise dirt build up between panels, the application of a bead of silicone sealant suitable for shower/bathroom use will fill the gap leaving a smooth finish and both stop dirt build up and offer an extra level of water tightness.

The shower cabin can be cleaned with any suitable cleaning solution that is not abrasive, and is recommended by its manufacturer for use on acrylic, chrome and glass surfaces as appropriate to the materials in the shower. Not all general bathroom cleaners are designed for use on some materials of this product.

**DO NOT USE CIF OR OTHER ABRASIVE CLEANING PRODUCTS ON THIS SHOWER.**

In hard-water areas, wash down the unit and remove the dirt periodically. Fitting a water filtration device is also advisable in areas where the water is likely to lead to a build up of minerals within the pipes and divertor assembly. Hard water WILL reduce the life of the Parts that come into contact with water, such as the Thermostatic Valve. Fitting water softening devices will prevent this.



## Steam Pod

Where products are being used to infuse the steam in the steam pod, only products that are designed for such use should be used. The use of products not designed for infusing of steam may lead to damage to this product inducing but not exclusively, discoloration to the pod, tray base and or cabin walls. Products such as, but not exclusive to Albas Oil is an example of this.

Essential Oils, whilst no noted damaging effects have ever been reported on the materials of products, Essential oils can be aggressive toward rubbers and plastics when in direct contact. Damage such as cracking, crazing, discoloration, therefore are NOT covered by the Guarantee where oils have been used.

## Additional information and help

For full guarantee details on this product please call sales on 01422 356863 or technical on 01422 410769

For more details on the installation of this shower, technical support, FAQ please call The Technical Helpline on 01422 410769

If you need a replacement part for your product, please call us on **01422 410769** with the details of your product. Please ensure you have your order number and supplier at hand.

To find parts for your product after the Guarantee has expired, please call:  
**01422 410769**



# Thermostatic Cartridge

Your shower is fitted with a Thermostatic Cartridge. Should you need to remove or replace the cartridge for maintenance or replacement, follow the instructions below.

Q: I am having to turn the dial round as far as it will go to the hottest setting and the water is only just warm.

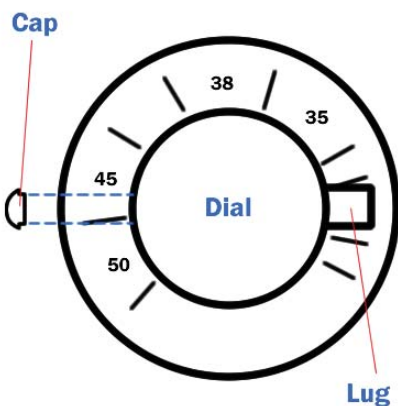
A: Your Thermostatic Cartridge has showed signs of failure. You will need to replace the Cartridge.

Q: Why did my Thermostatic Cartridge fail?

A: Hard Water areas will result in calcification, which will build up in the Cartridge. Other reasons might be age of the Cartridge or even dirt or debris collecting in the Cartridge from the pipes.

**BEFORE STARTING ENSURE THAT THE WATER SUPPLIES ARE DISCONNECTED OR ISOLATED**

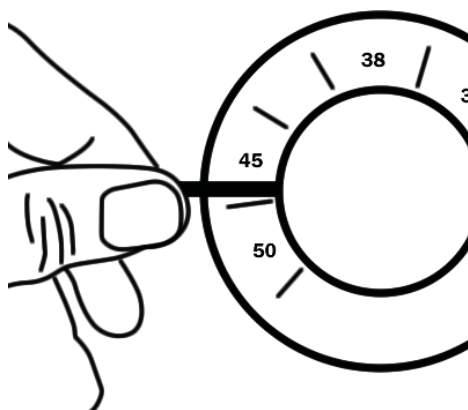
It is imperative that the water supply to your shower is between 1 and 3 bar as exceeding this may damage the Thermostatic Cartridge.



From inside the shower, on the lower of the three dials, remove the chrome coloured plastic cap that is fitted on the opposite side to the chrome lug.

The chrome cap will just pull off.

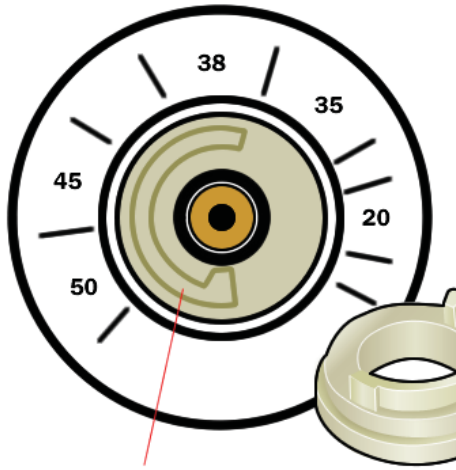
Keep the cap safe.



Using a 2.5mm Allen key, insert this into the hole where the chrome cap was fitted and loosen the grub screw about 1 turn to loosen.

**DO NOT UNSCREW FULLY.**

Now remove the chrome dial.

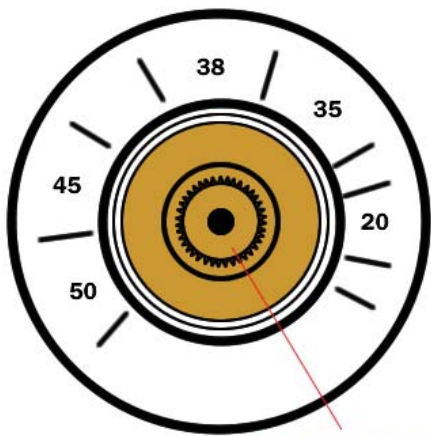


With the Chrome dial removed you will see a plastic ring covering with the Thermostat underneath.

Note down the position the ring is placed in.

Pull the plastic ring (Temperature safety lock) towards you to remove.

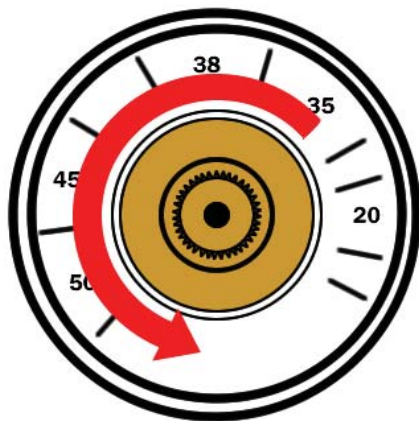
Keep this part safe



You will now see the head of the Thermostat clearly visible.

**Thermostat**

Turn the head of the cartridge counter-clockwise to remove.



To fit your new Thermostat, simple reverse this process.

**If your shower is under Guarantee and you have your suppliers name and order number then a replacement part can be ordered by calling 01422 410769**

If your product is out of Gurantee, then please call: **01422 410769 or 01422 356863** to order the part.

**FOR TECHNICAL  
ASSISTANCE**

**PLEASE CALL**

**01422 410769**

