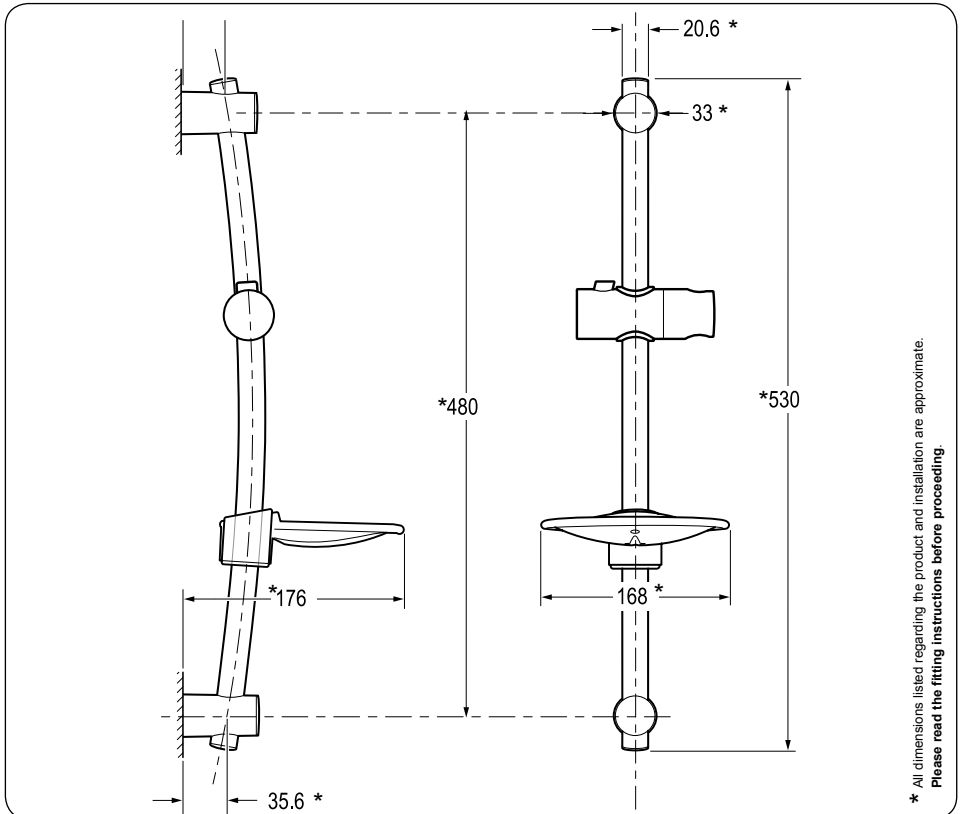


ALFIE

Riser rail assembly

88900003 / 88900004



Installation Instructions

INSTALLERS PLEASE NOTE THESE INSTRUCTIONS ARE TO BE LEFT WITH THE USER

FITTING THE ALFIE RISER RAIL ASSEMBLY

Fig.1

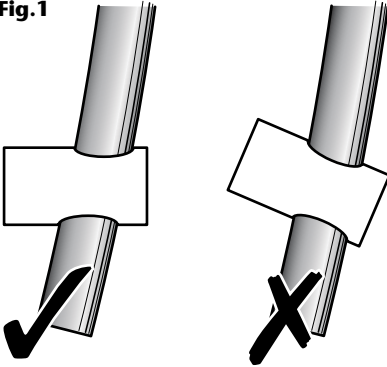


Fig.2

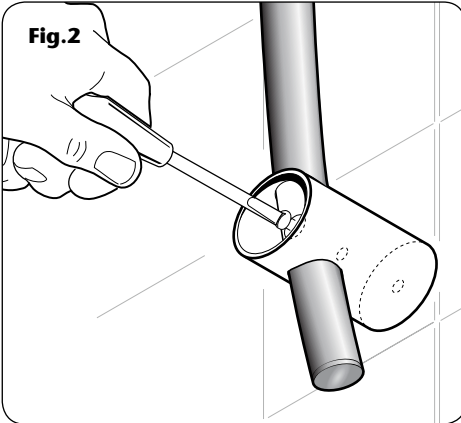
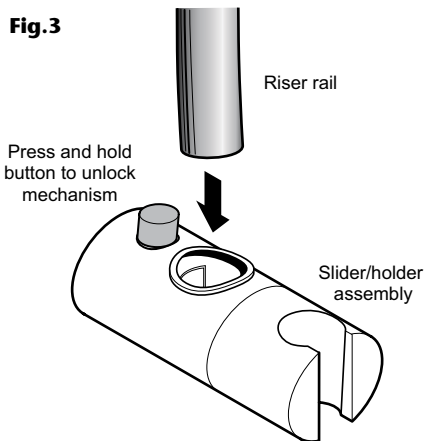


Fig.3



WARNING!

Check there are no hidden cables or pipes before drilling holes for wall plugs. Use great care when using power tools near water. The use of a residual current device (RCD) is recommended.

Decide the position for the rail on the wall within the shower area. Proceed as follows:

Offer one of the brackets to the wall. Position the bracket for the lower position and mark the centre hole. Remove the bracket then drill and plug the wall. (*An appropriate drill bit should be used. If the wall is brick, plasterboard or a soft building block, appropriate wall plugs and screws should be fitted*).

Slide the lower bracket onto the riser rail. Make sure to fit it the correct way round (**fig.1**). Align the opening in the bracket with the opening in the riser rail and temporarily secure to the wall (**fig.2**).

Slide the upper bracket onto the riser rail, again making sure to fit it the right way round. Align the holes at the top of riser rail and mark the centre hole. Remove the riser rail assembly from the wall then drill and plug the wall.

Fit the shower head holder onto the riser rail as follows: press and hold the button on the top of the holder to release the locking mechanism, then slide the holder onto the rail (**fig.3**). Simply release the button to secure the holder in place.

Slide the soap dish onto the bottom of the riser rail below the holder (**fig.4**).

Slide the lower bracket onto the riser rail. Make sure to fit it the correct way round (**fig.1**) and secure to the wall. **DO NOT** tighten at this stage.

Secure the upper bracket in place. Now tighten both the upper and lower brackets.

Fit the end caps onto both brackets. The end caps will only fit one way. Fit the riser rail trims to the top and bottom of the rail.

FITTING THE ALFIE RISER RAIL ASSEMBLY

FITTING THE HOSE AND SHOWER HEAD

Feed the flexible hose (**fig.5**) through the opening in the soap dish (*The hose retainer **MUST** be used to comply with Water Regulations*).

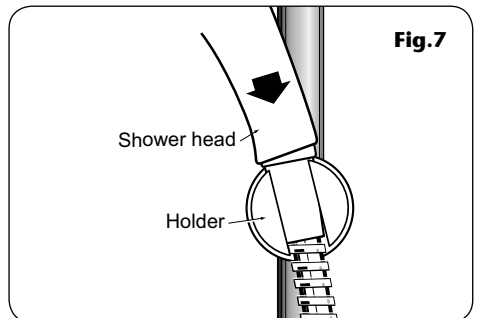
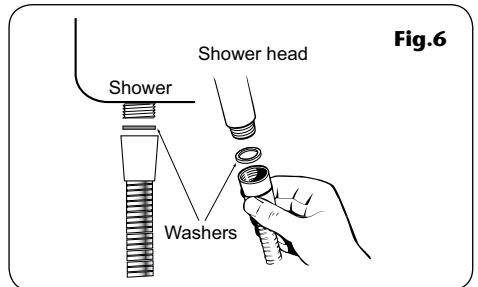
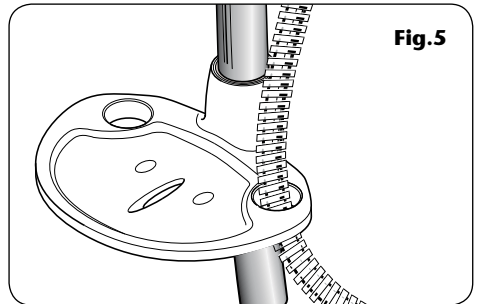
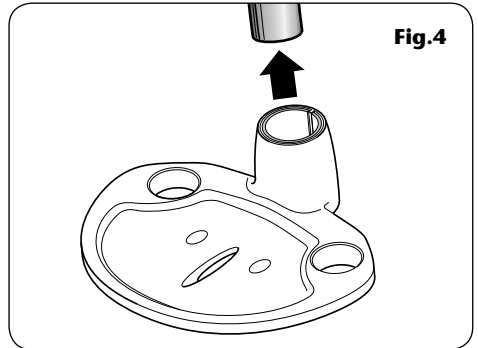
Screw the flexible hose to the shower outlet and shower head, making sure the supplied washers are in place at both ends of the flexible hose (**fig.6**).

Place the shower head into the holder and check that it fits correctly (**fig.7**).

Note: The holder is slightly tapered and the shower head and hose will only fit from one direction.

IMPORTANT: It is the conical end of the hose which grips into the holder. The shower head will not fit in the holder without the hose attached.

(*The hose retainer **MUST** be used to comply with Water Regulations*).

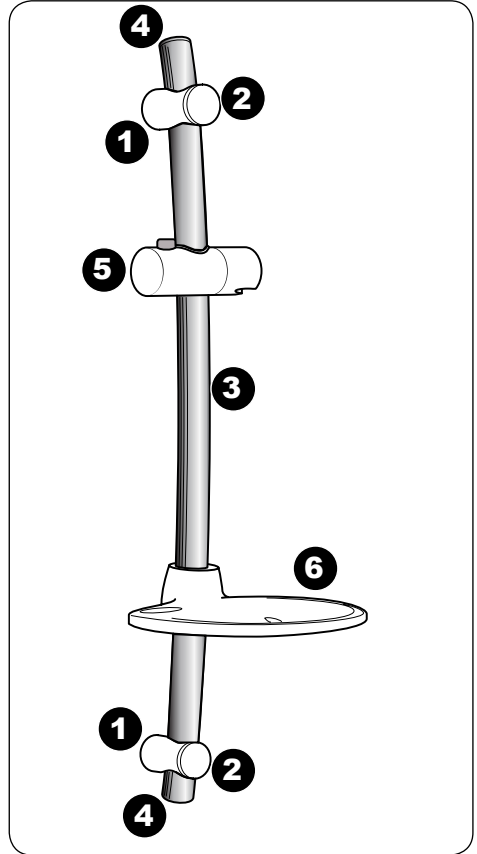


SPARE PARTS

Ref.	Description	Spares No.
1	Brackets & trims	
	white.....	83308740
	chrome.....	83308790
2	Bracket Trim	
	white.....	83308750
	chrome.....	83308800
3	Riser rail Ø20.6mm X 530mm	
	white.....	88800003
	chrome.....	88800031
4	Riser rail end trims	
	white.....	22011870
	chrome.....	22011860
5	Shower head holder Ø20.6mm	
	white.....	22011840
	chrome.....	83308810
6	Soap dish	
	Clear.....	22011850

Flexible hoses available in the following sizes:

- 1.00 m in white, chrome and gold
- 1.25 m in white, chrome and gold
- 1.75 m in chrome only



Please refer to shower installation and operating instructions for service details