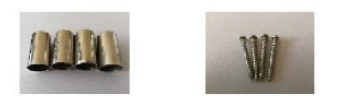


SUPPLIED INSTALLATION ACCESSORIES



INSERT 4PCS SCREW 4PCS

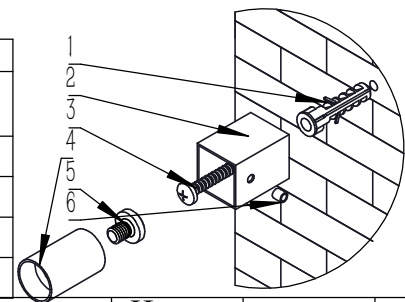


BRACKET 4PCS WALL PLUG 4PCS



GRAB SCREW 4PCS SCREW 4PCS ALIEN KEYS 1PCS

- Vertical Mounting
- Optional 304 QUALITY STAINLESS STEEL RADIATOR (RNS-ARD5050:ARDEN RADIATOR)
- POLISHED
- MAX Operational Pressure:10Bar
- Inlet/Outlet:1/2"Female Pipe Thread
- All Dimensions are in mm



Product Name	Product Cude	Height	Width	Thick Ness	Plumbing Axes Center to Center	Hanger Axes Horizontal	Hanger To Bottom of the Product	Hanger Axes Vertical	Water Volume	Empty Weight	Thermal Output
		H	W	D	C	S	F	G	-	-	Wat-Btu/hr(Δ50°)
		mm	mm	mm	mm	mm	mm	mm	mm	L	kg
ARDEN	RNS-ARD5050	500	500	30	470	470	430	360			
ARDEN	RNS-ARD5100	1000	500	30	470	470	891.5	783			

