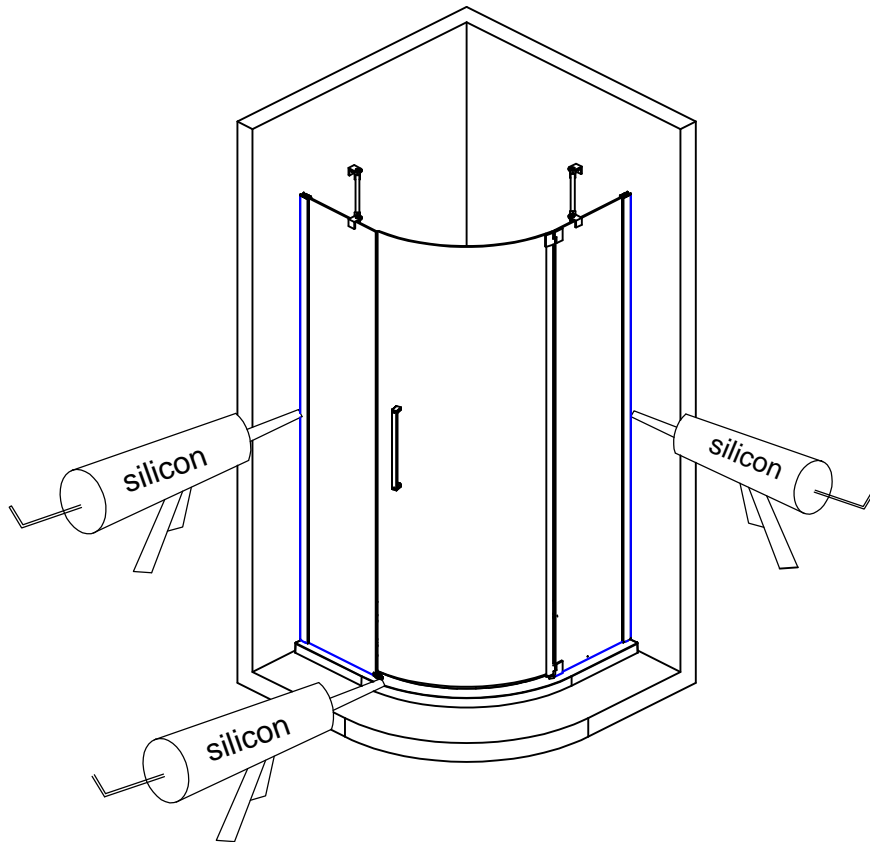
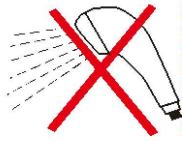


24 hour

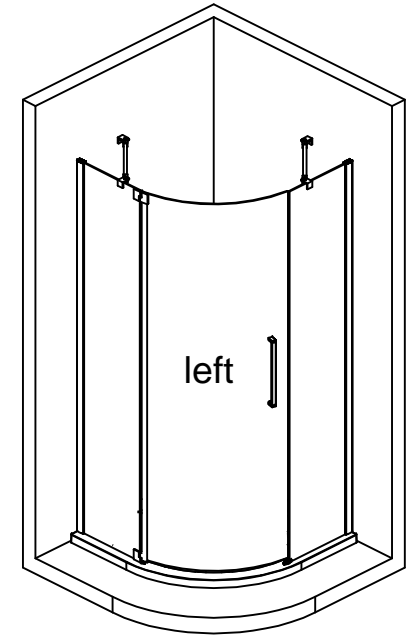
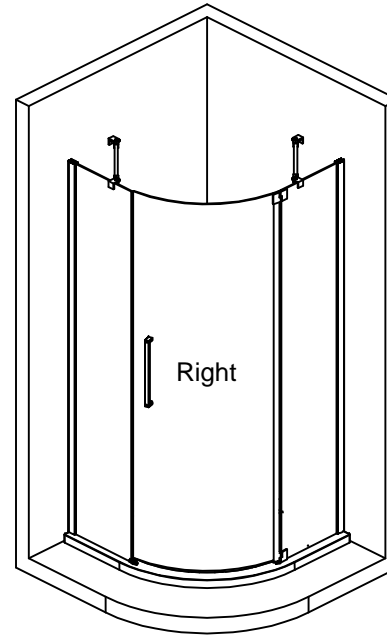


SEAL ON THE OUTSIDE OF THE FRAME ONLY, LEAVE FOR 24 HOURS BEFORE USING

5

# Instruction Manual

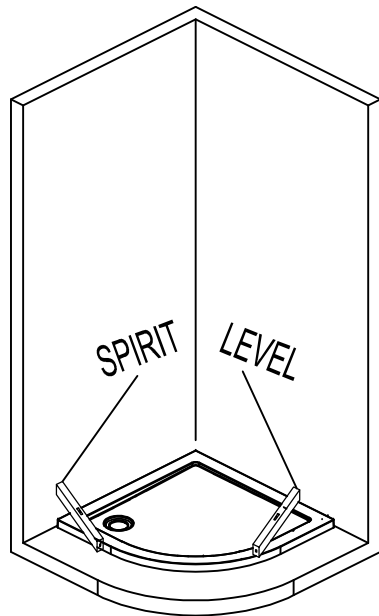
INSTRUCTION SHOWS R.H INSTALLATION, REVERSE FOR L.H INSTALLATION



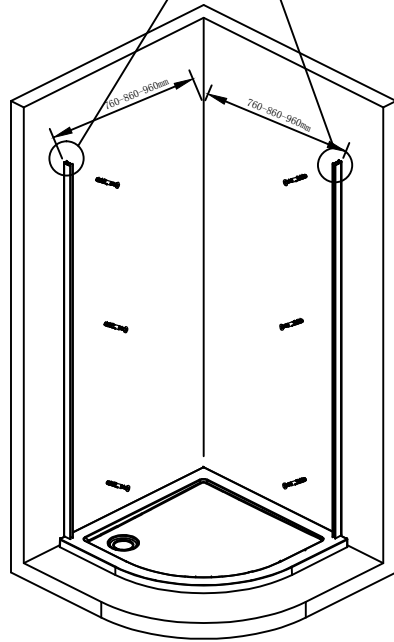
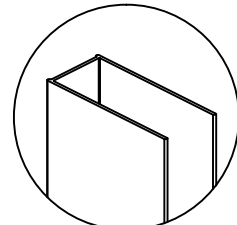
**PRODUCT CODE :**

**SE006 :800x800x1850**

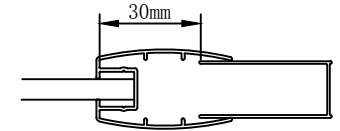
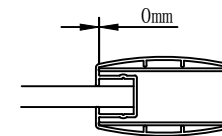
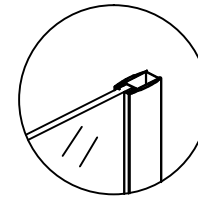
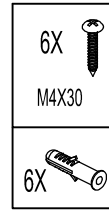
**SE007:900X900X1850**



Fit the tray to the manufacturers instruction, ensuring the shower tray is level and plumb. Check that the adjustment size given are correct for fitment to your application

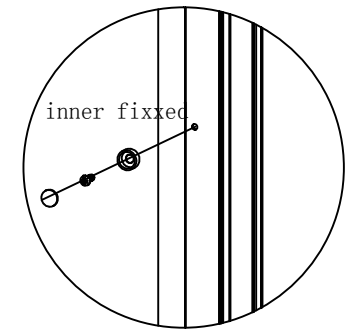
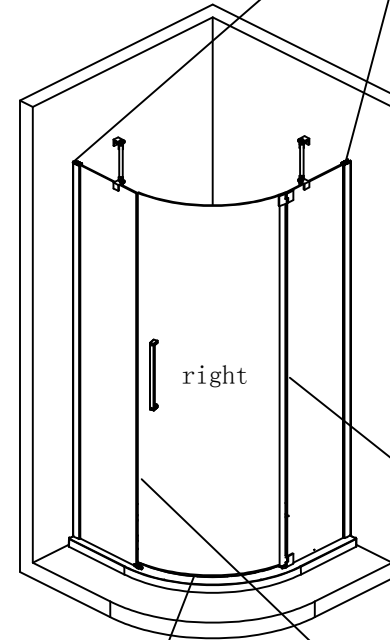


Take the wall posts and set 12 mm in from the edge of the tray, using a spirit level, ensure the wall posts are vertical and plumb, mark the hole positions, remove the wall posts and drill the holes, fit the wall plugs. Then secure wall posts in position.



Final adjustment can be made within the wall posts

When everything is plumb and operating correctly, the bracing bars can be fully tightened. Fix the frame into the wall posts by drilling through the extrusions into the cavity (do not go right through). use the self tapping screws and caps to secure.



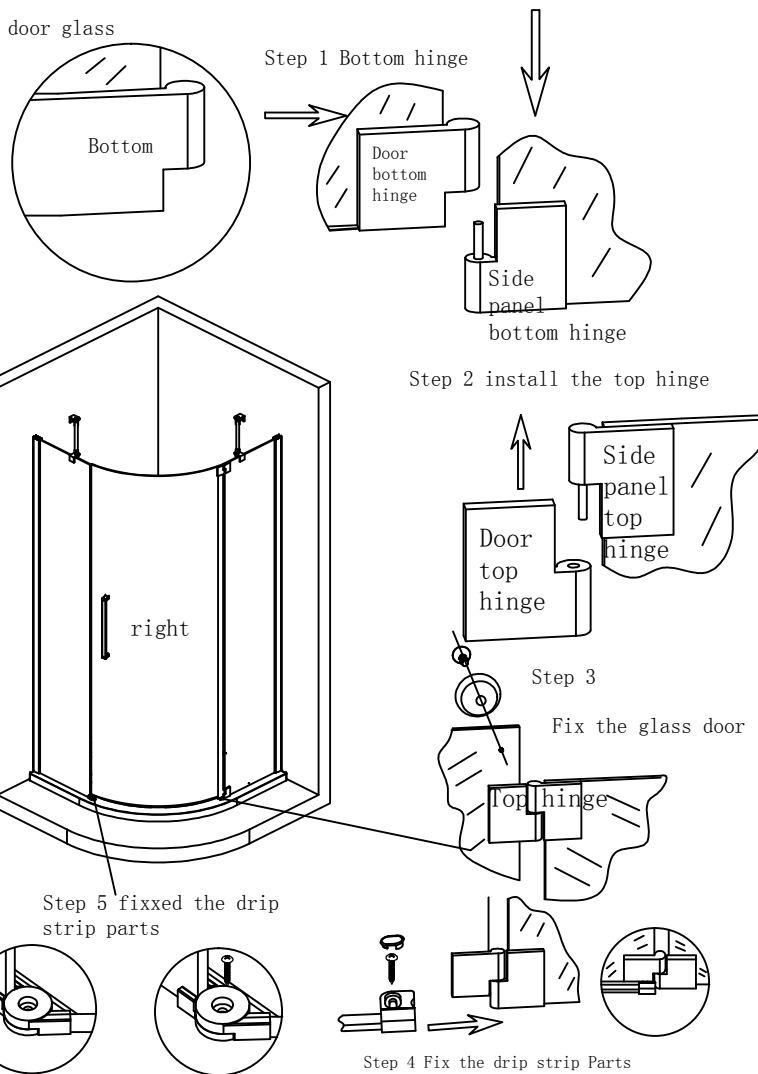
Trim and fit the seals into position as shown

1



4

Fixed door glass



Step 1 Fit bottom hinge strap to the door(if not already fitted),slot the door bottom hinge strap onto the side panel bottom hinge strap.

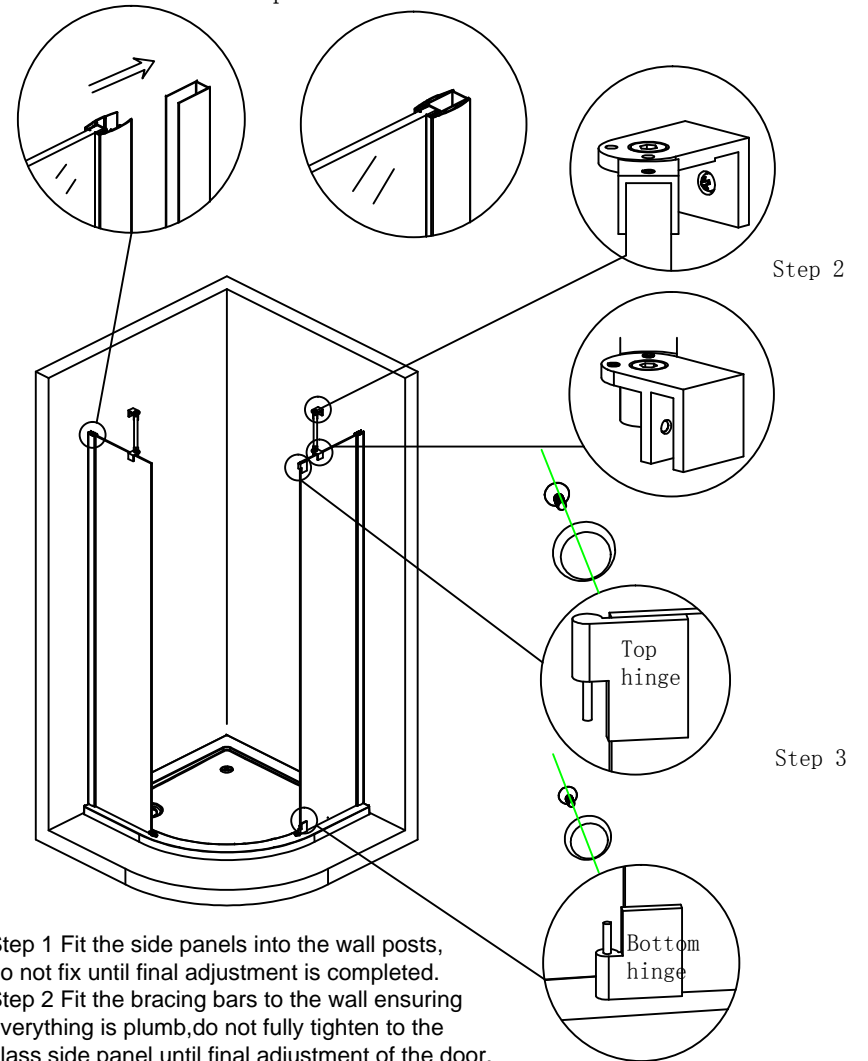
Step 2 solt the top door hinges strap onto the side panel top hinge strap

Step 3 fix the glass door into the door top hinge strap and secure using the screws and caps provided.

Step 4 & 5 Fix the drip strip assembly to the tray by using silicone and the screws prvided.PLEASE CONSULT THE TRAY MANUFACTURER IF THE TRAY CAN BE DRILLED AND SCREWED INTO, IF NOT SILICONE ONLY MUST BE USED TO FIX THE DRIP STRIP PARTS

3

Step 1



Step 1 Fit the side panels into the wall posts, do not fix until final adjustment is completed.

Step 2 Fit the bracing bars to the wall ensuring everything is plumb,do not fully tighten to the glass side panel until final adjustment of the door.

Step 3 Check that the hinges are in the correct position and fix using srews and caps provided

2