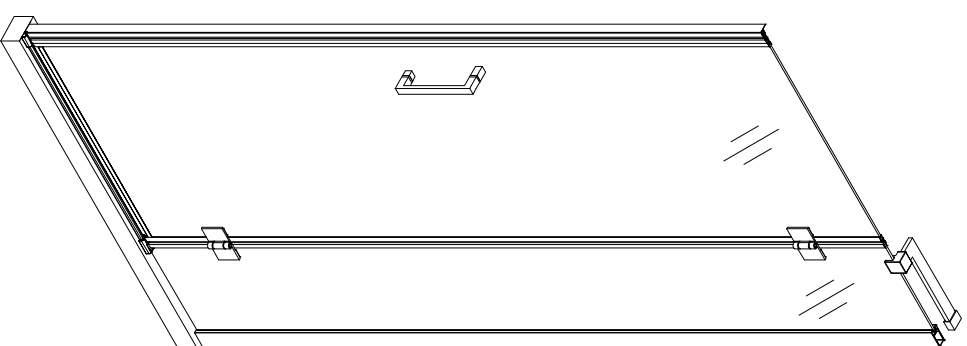
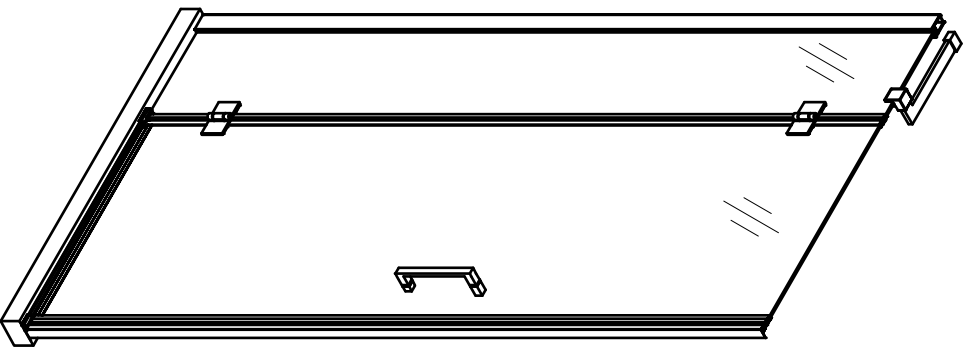
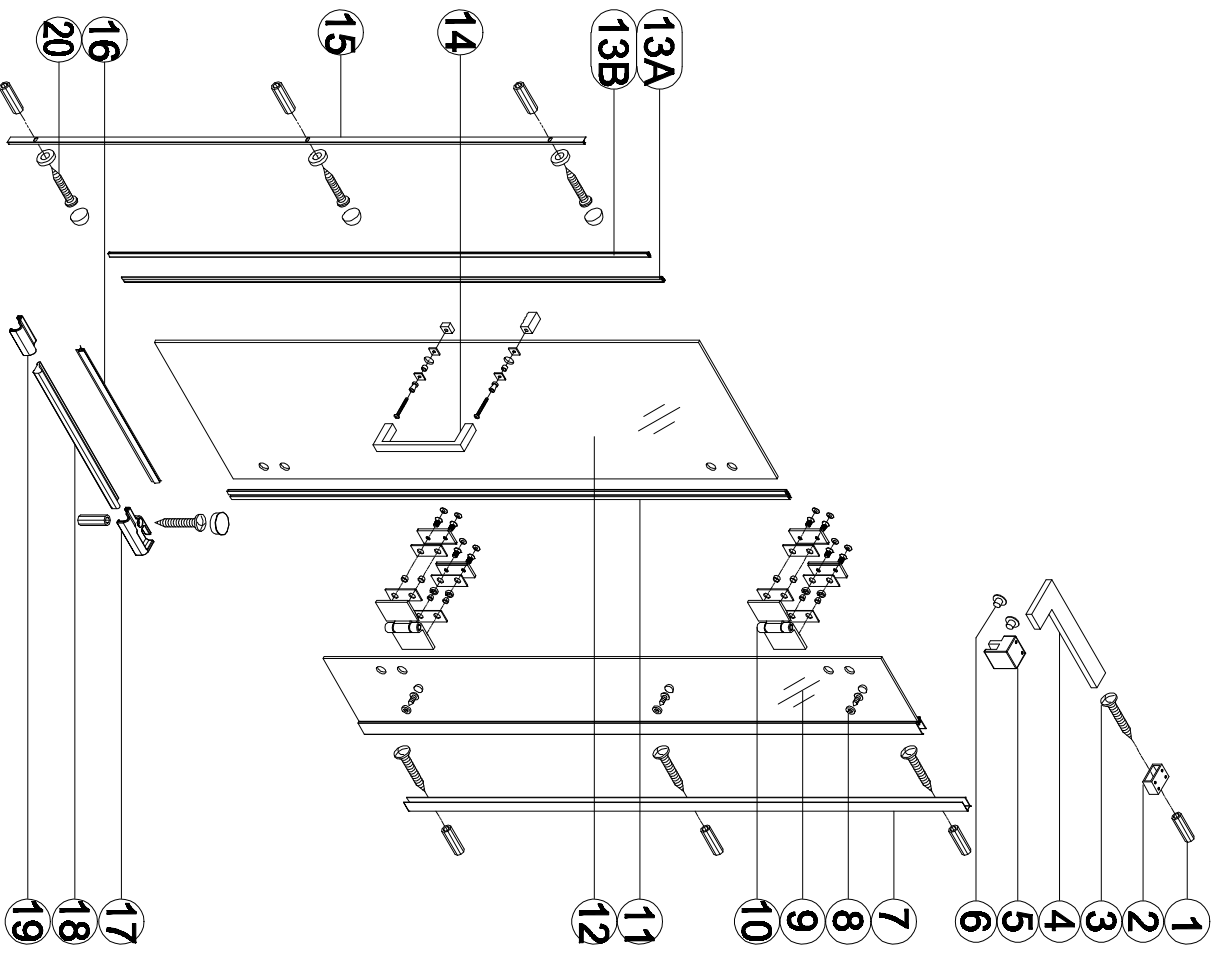
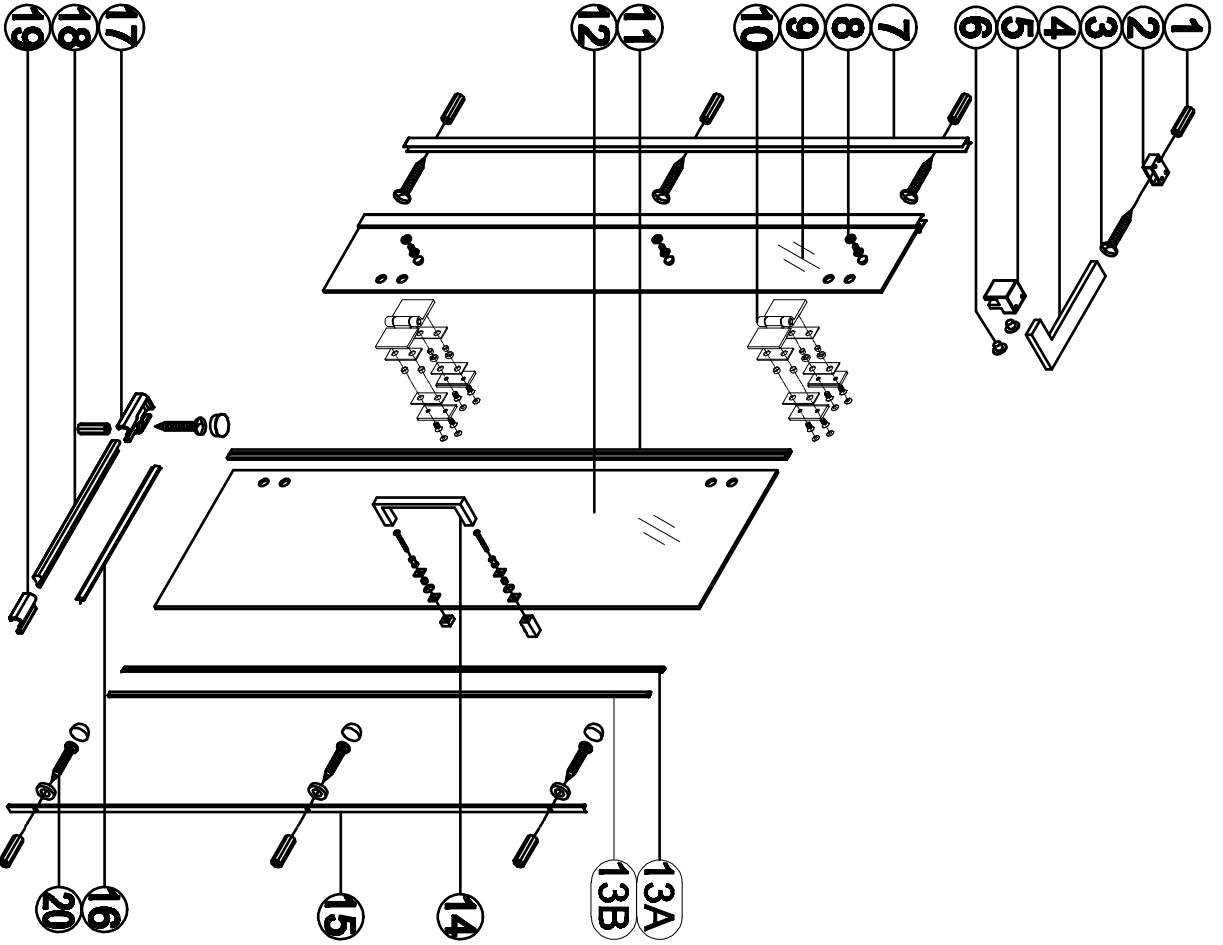
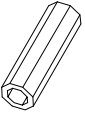
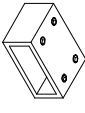

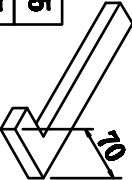
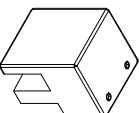
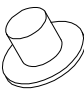
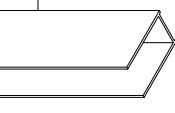
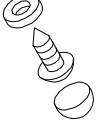

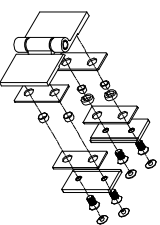
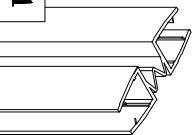
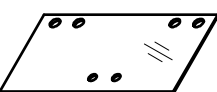

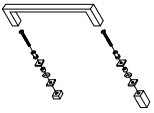
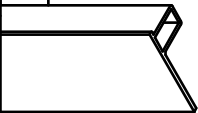
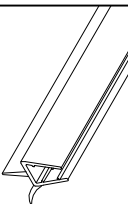
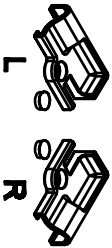
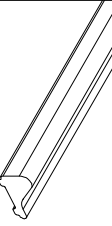
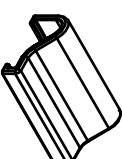



INSTALLATION MANUAL

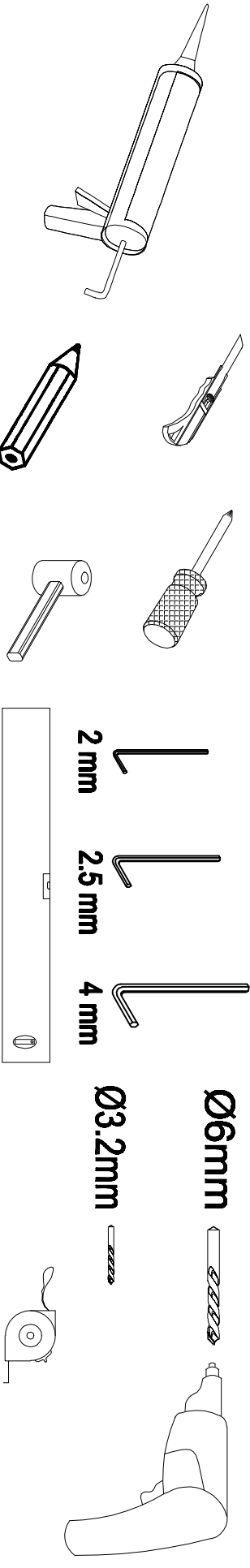
DR700-V3 / DR760-V3 / DR800-V3 / DR900-V3 / DR100-V3 / DR120-V3

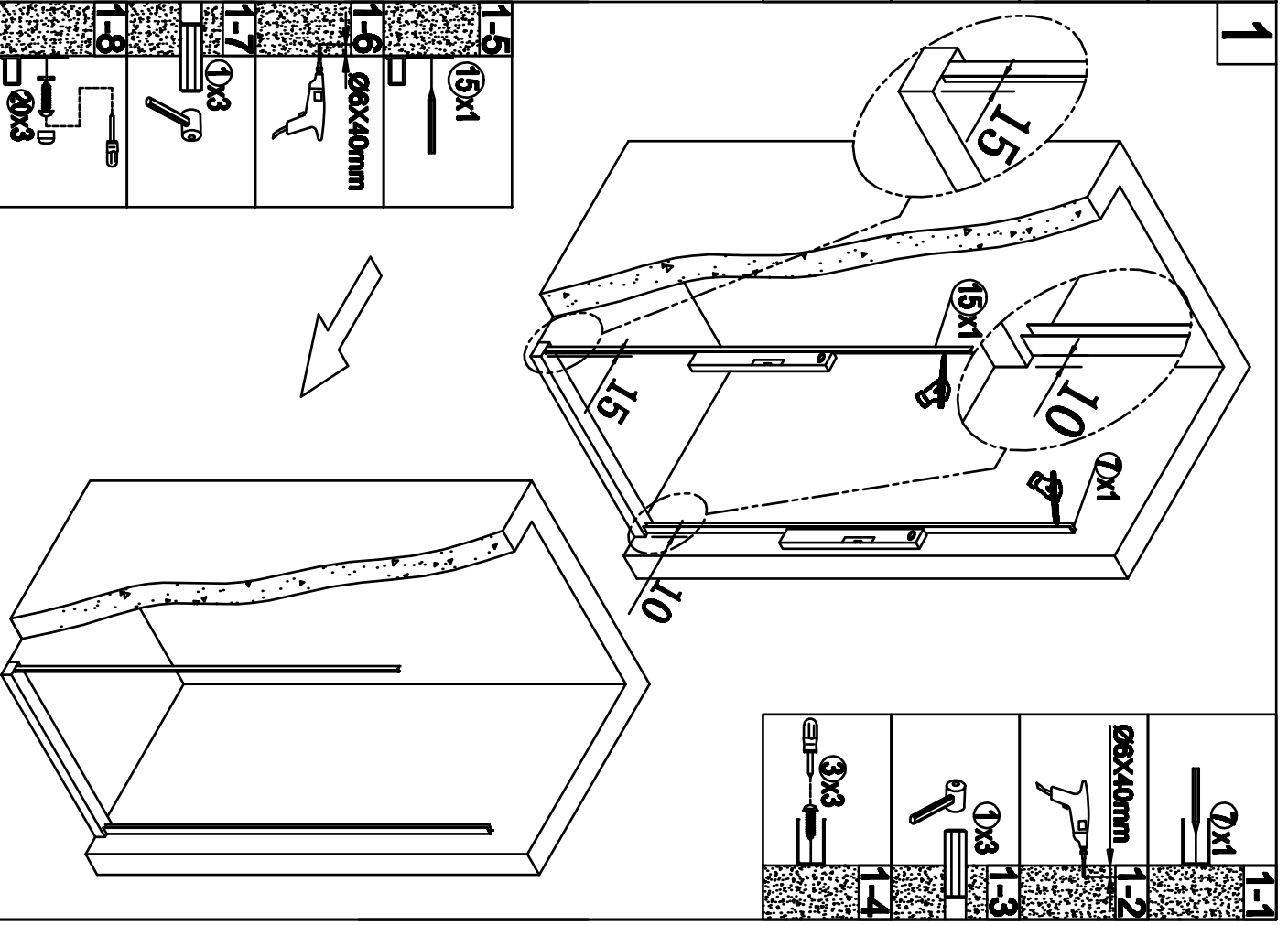
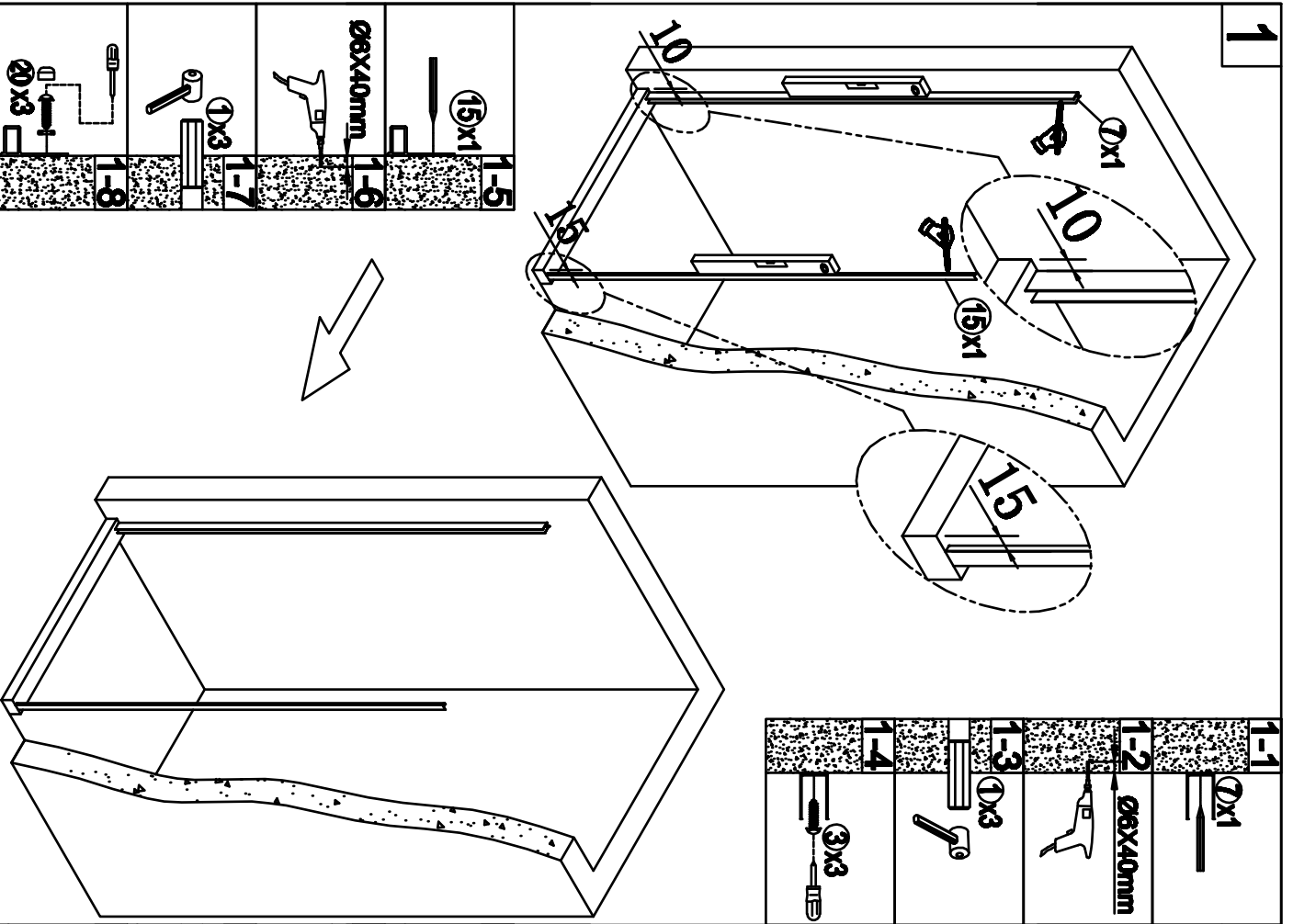




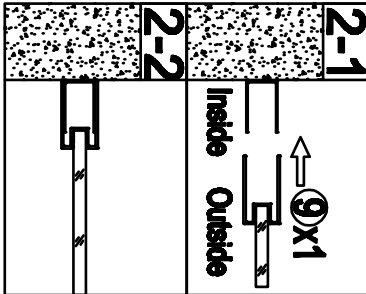
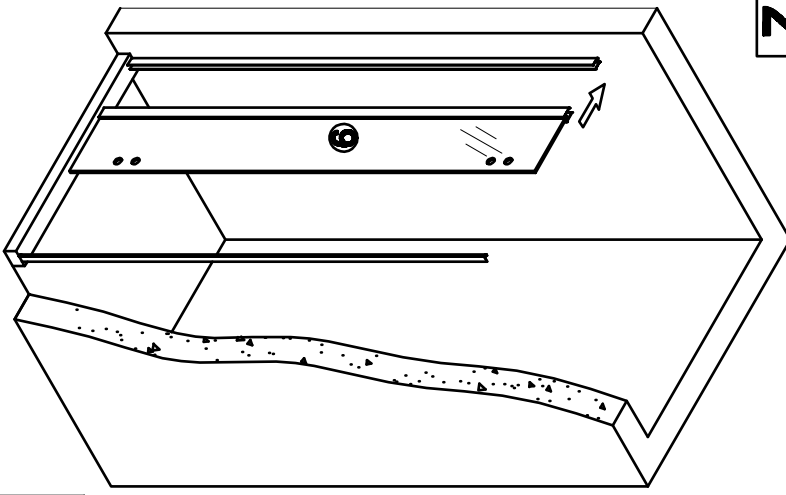
1		8Pcs	WX-D01	1Pc	ST4X12	3Pcs	WX-B01	1Pc	WX-H02	1Pair	WX-S04	1Pc
2		1Pc	ST4X30	8Pcs	WX-D05	1Pc	WX-H03	1Pc	WX-D04	1Pc	ST4X30-1	3Pcs
3		ST4X30	WX-D07	1Pc	WX-D09	1200	WX-H01	1Pc	WX-D05	700 800 760 900	WX-D05	4
4		1Pc	WX-D05	1Pc	WX-D03	2Pcs	WX-H01	1Pc	WX-D07	1000	WX-D07	
5		1Pc	WX-D02	1Pc	WX-H01	1Pc	WX-S01	2Pcs	WX-D09	1200	WX-D09	
6		2Pcs	D4X4	2Pcs	WX-B03	1Pc	WX-S01	2Pcs	WX-D09	1200	WX-D09	
7		1Pc	ST4X12	3Pcs	WX-D03	2Pcs	WX-H01	1Pc	WX-D09	1200	WX-D09	
8		3Pcs	WX-D05	1Pc	WX-D03	2Pcs	WX-H01	1Pc	WX-D09	1200	WX-D09	
9		1Pc	WX-D05	1Pc	WX-D03	2Pcs	WX-H01	1Pc	WX-D09	1200	WX-D09	
10		2Pcs	WX-D05	1Pc	WX-D03	2Pcs	WX-H01	1Pc	WX-D09	1200	WX-D09	
11		1Pc	WX-D05	1Pc	WX-D03	2Pcs	WX-H01	1Pc	WX-D09	1200	WX-D09	
12		1Pc	WX-D05	1Pc	WX-D03	2Pcs	WX-H01	1Pc	WX-D09	1200	WX-D09	
13		1Pc	WX-D05	1Pc	WX-D03	2Pcs	WX-H01	1Pc	WX-D09	1200	WX-D09	
14		3Pcs	WX-D05	1Pc	WX-D03	2Pcs	WX-H01	1Pc	WX-D09	1200	WX-D09	
15		1Pc	WX-D05	1Pc	WX-D03	2Pcs	WX-H01	1Pc	WX-D09	1200	WX-D09	
16		1Pc	WX-D05	1Pc	WX-D03	2Pcs	WX-H01	1Pc	WX-D09	1200	WX-D09	
17		2Pcs	WX-D05	1Pc	WX-D03	2Pcs	WX-H01	1Pc	WX-D09	1200	WX-D09	
18		1Pc	WX-D05	1Pc	WX-D03	2Pcs	WX-H01	1Pc	WX-D09	1200	WX-D09	
19		1Pc	WX-D05	1Pc	WX-D03	2Pcs	WX-H01	1Pc	WX-D09	1200	WX-D09	
20		3Pcs	WX-D05	1Pc	WX-D03	2Pcs	WX-H01	1Pc	WX-D09	1200	WX-D09	

Tools:

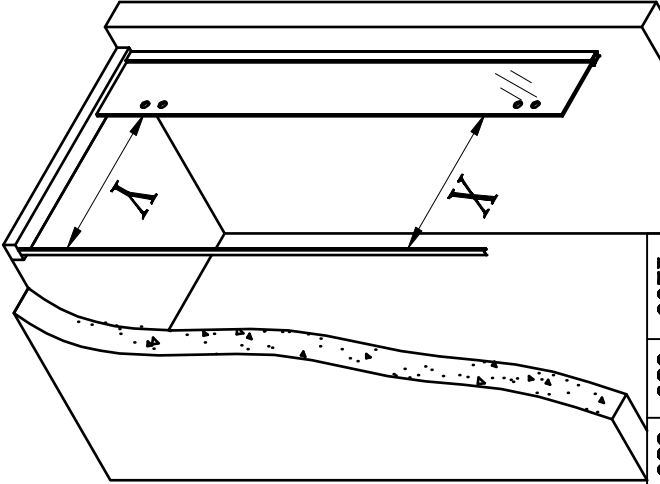




2

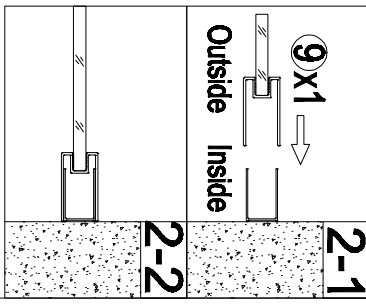
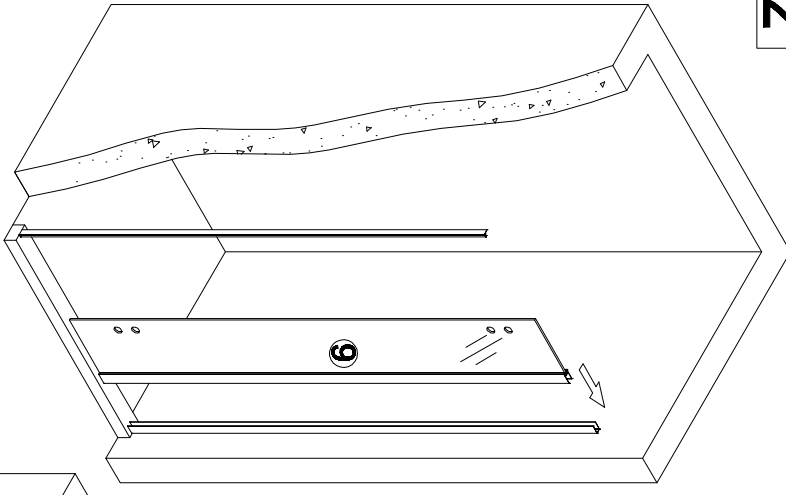


	X	Y
700	460	460
760	520	520
800	560	560
900	630	630
1000	630	630
1200	630	630

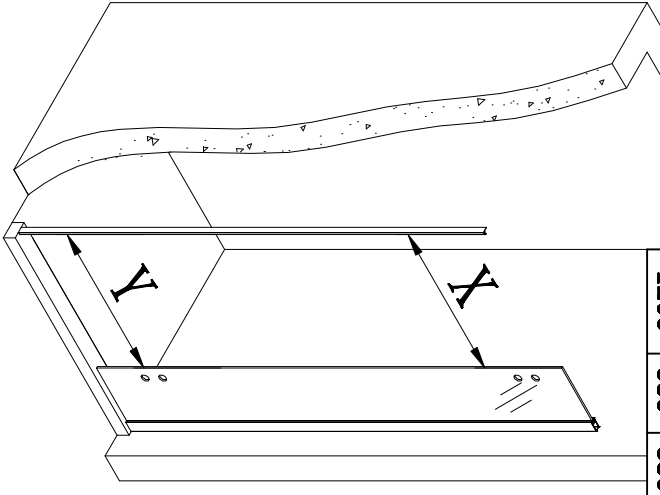


THE PROFILES AND THE GLASS SHOULD BE SET TRUE & LEVEL WITH A SPIRIT LEVEL.

2

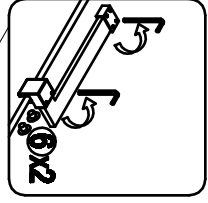
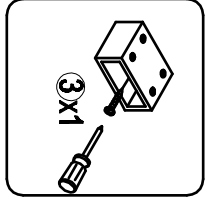
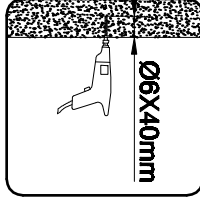
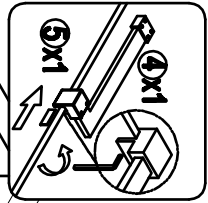
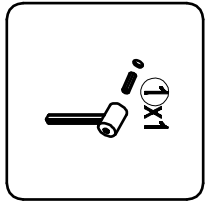
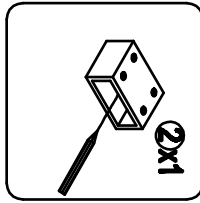
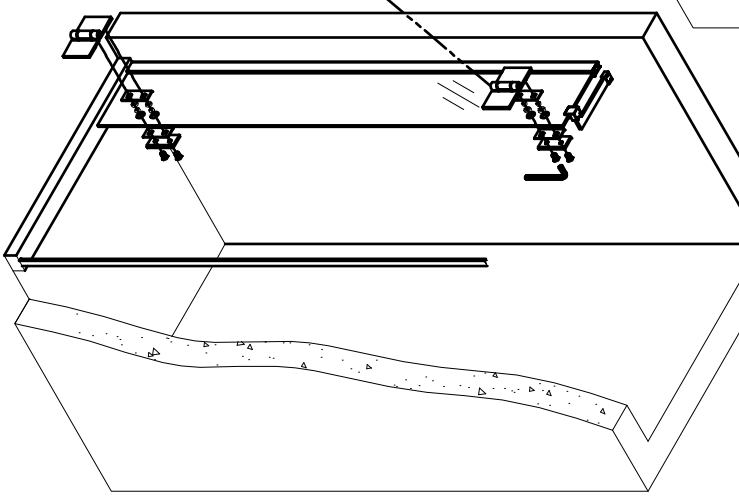
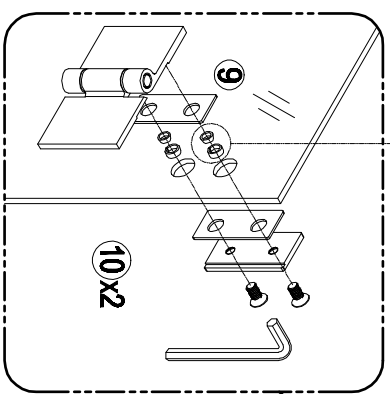
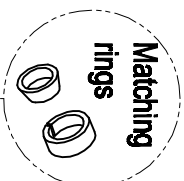
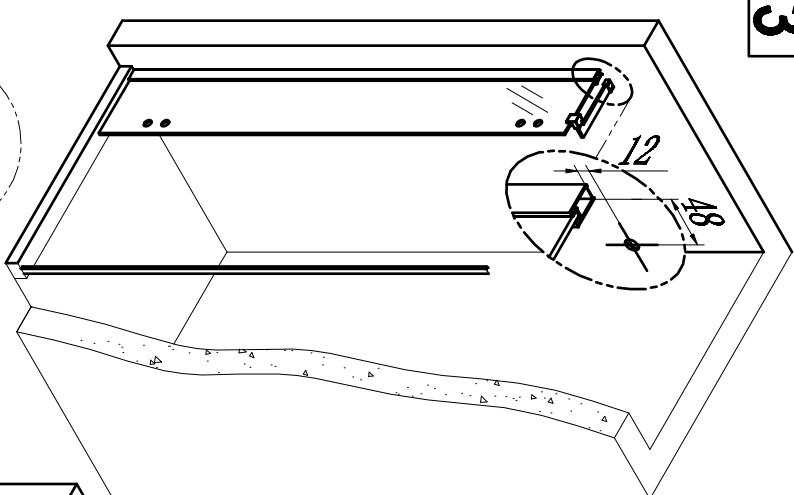


	X	Y
700	460	460
760	520	520
800	560	560
900	630	630
1000	630	630
1200	630	630

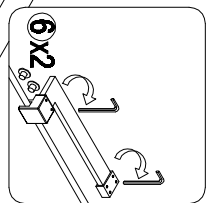
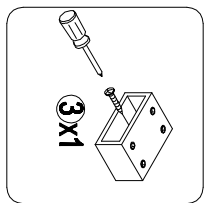
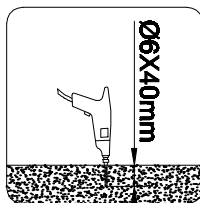
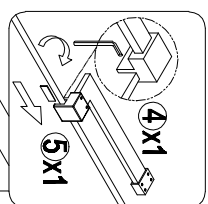
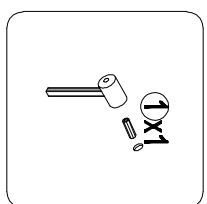
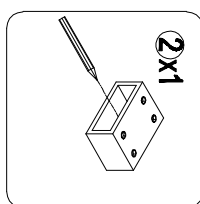
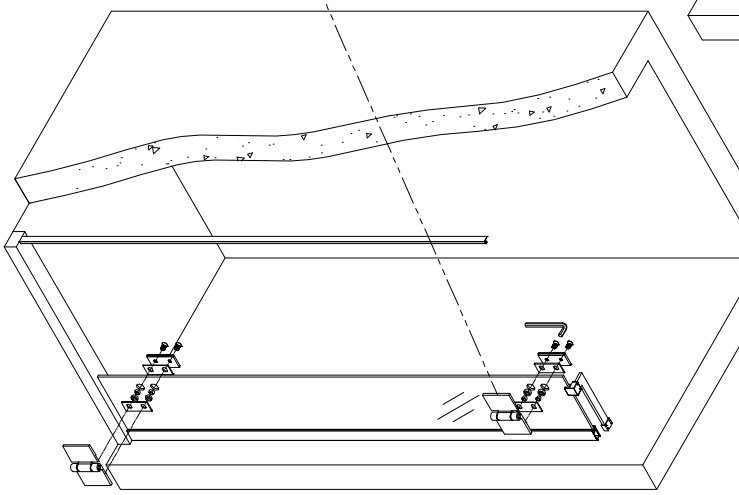
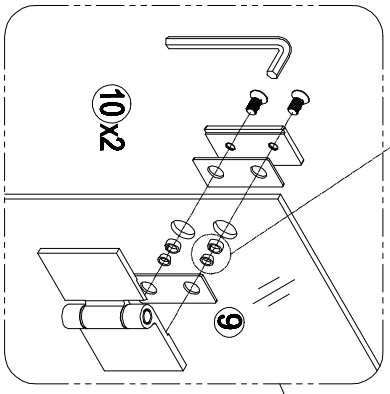
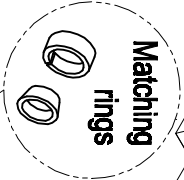
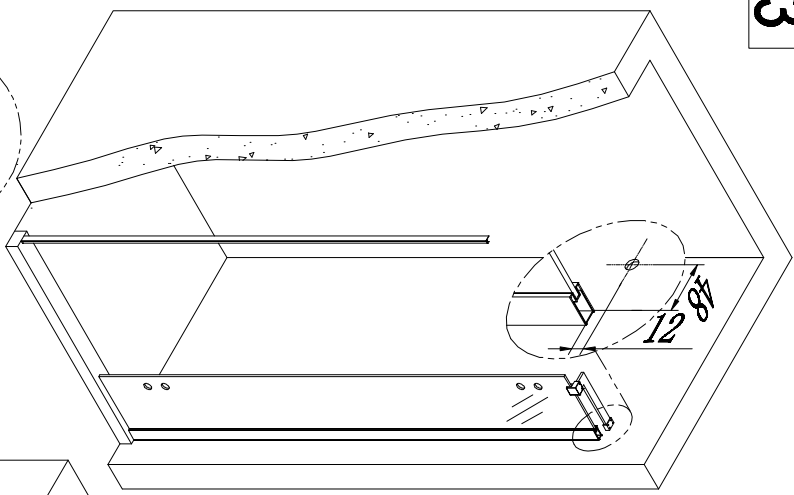


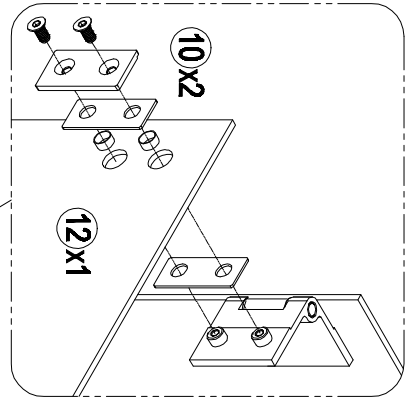
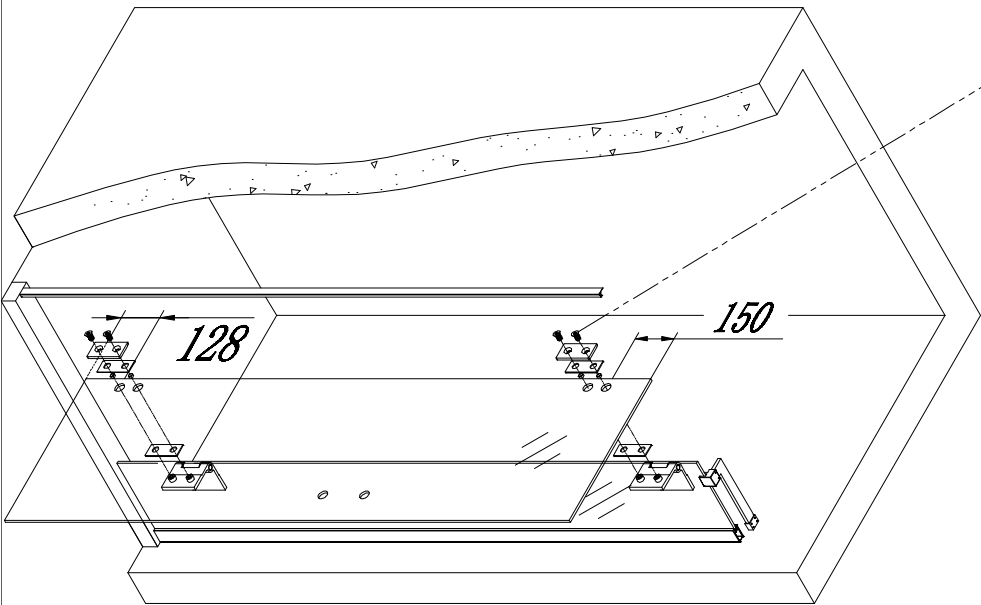
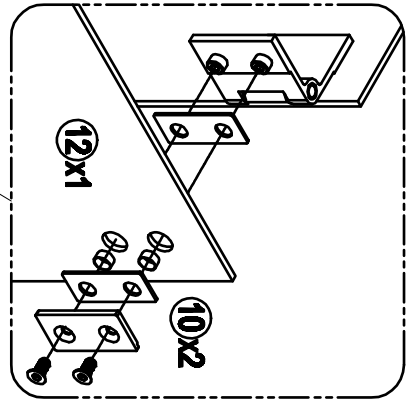
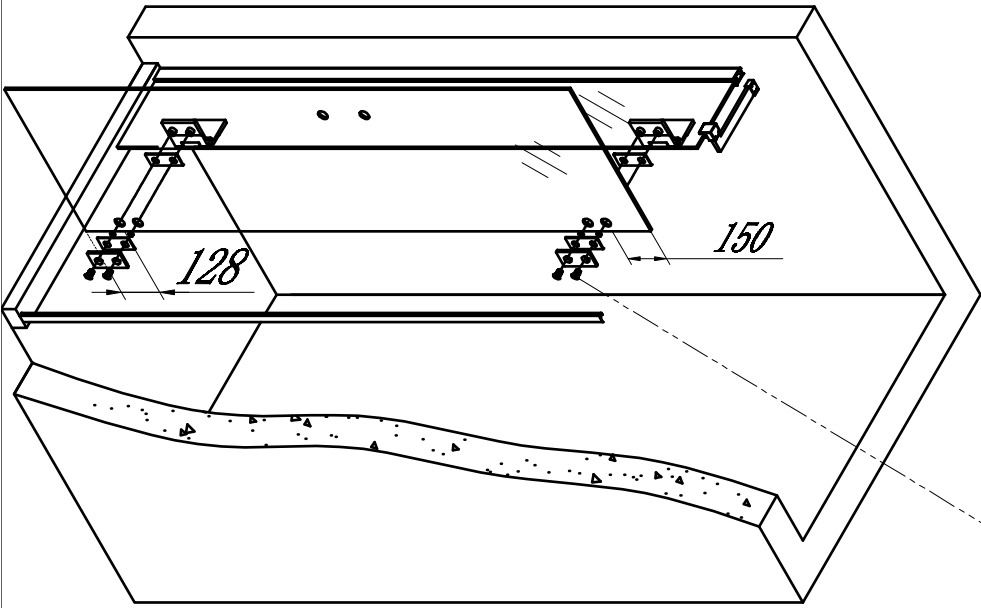
THE PROFILES AND THE GLASS SHOULD BE SET TRUE & LEVEL WITH A SPIRIT LEVEL.

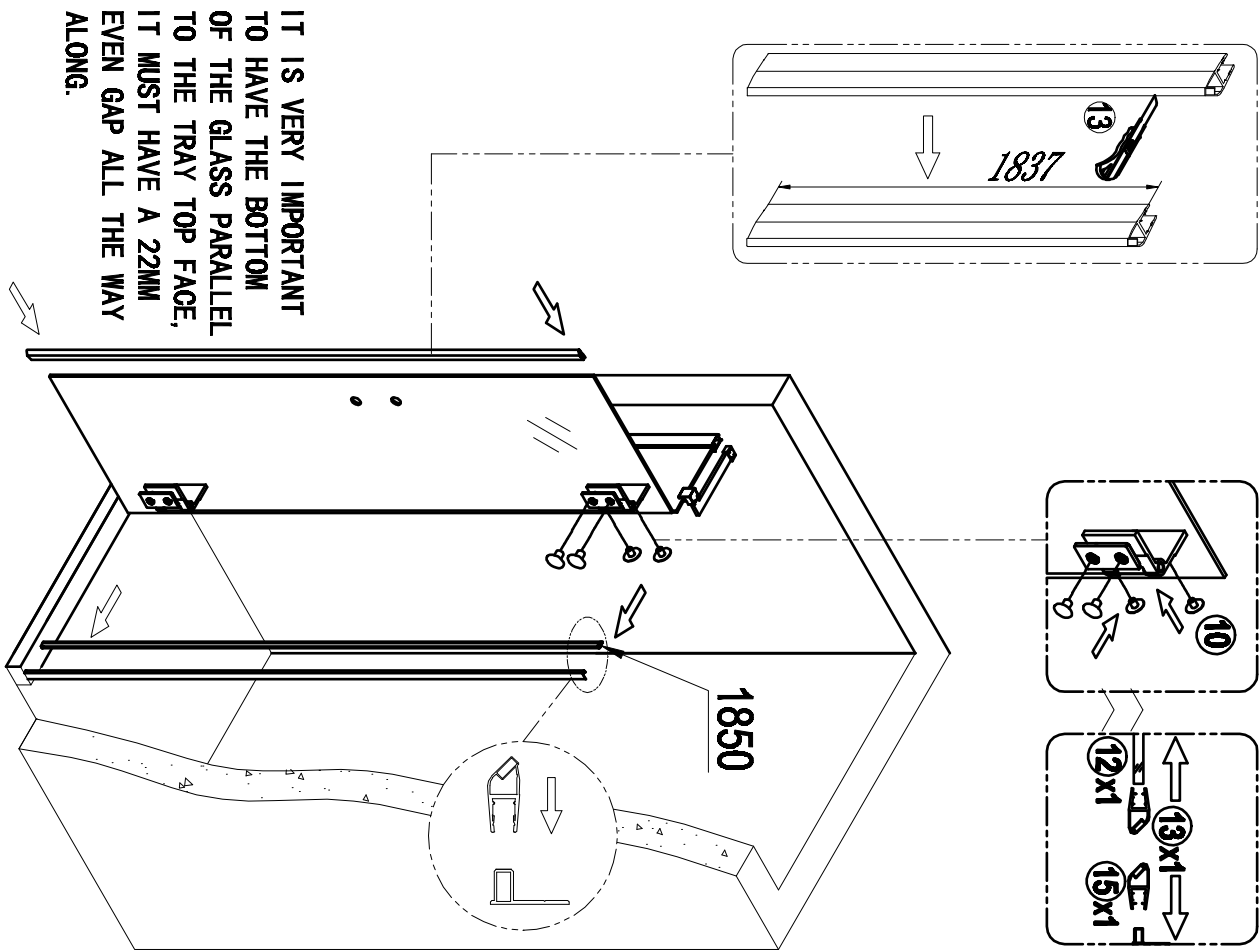
3



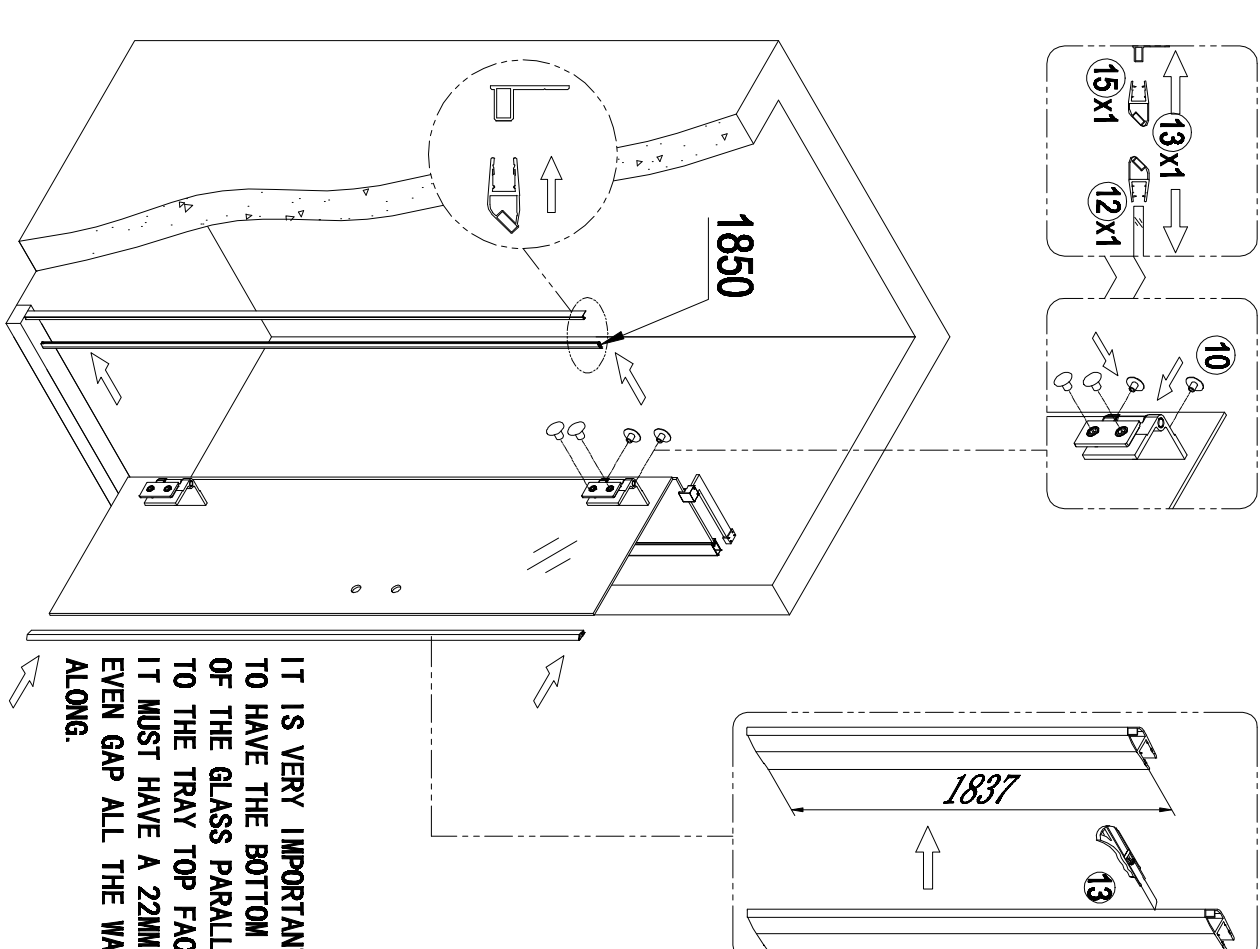
3







IT IS VERY IMPORTANT TO HAVE THE BOTTOM OF THE GLASS PARALLEL TO THE TRAY TOP FACE, IT MUST HAVE A 22MM EVEN GAP ALL THE WAY ALONG.



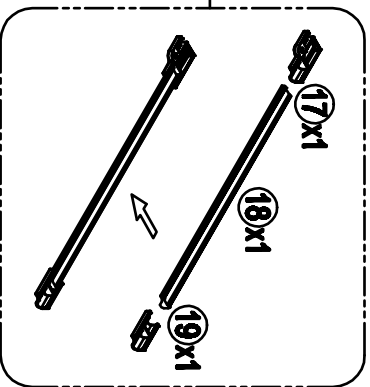
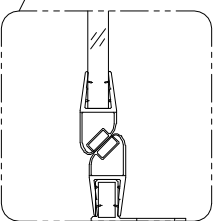
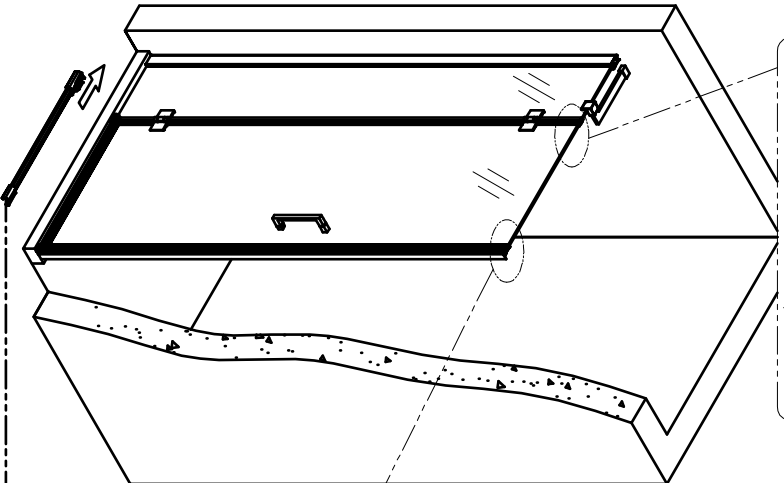
IT IS VERY IMPORTANT TO HAVE THE BOTTOM OF THE GLASS PARALLEL TO THE TRAY TOP FACE, IT MUST HAVE A 22MM EVEN GAP ALL THE WAY ALONG.

6

Fixed glass

Door Glass

DRILL THROUGH THE PRE-DILLED HOLES IN THE WALL PROFILES (SHOWN RIGHT). USE 3mm DRILL AND MAKE SURE YOU ONLY DRILL THROUGH ONE WALL THICKNESS.



6-1 Ø3.2mm

6-2 8x3

6-3 10x1

6-4 12

6-5 14x1

6-6 17x1

6-7 19x1

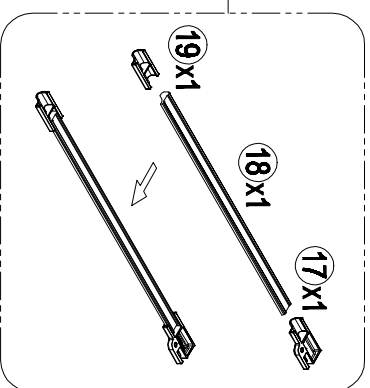
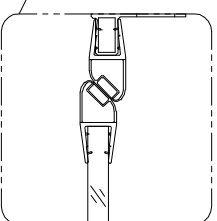
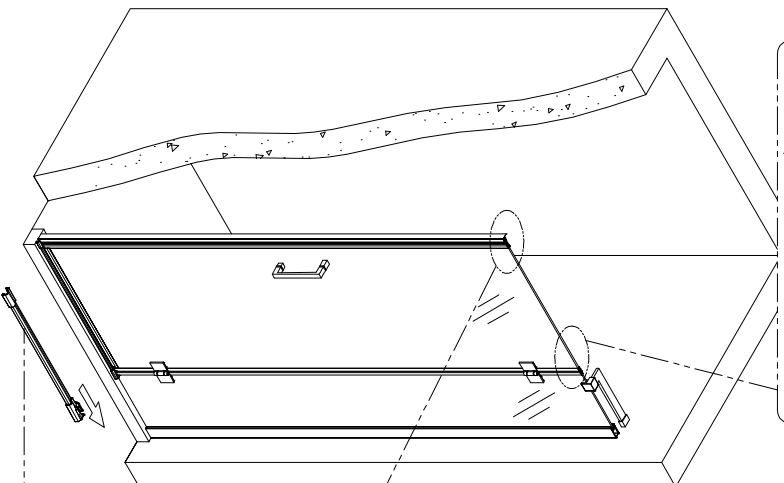
16x1

6

Door Glass

Fixed glass

DRILL THROUGH THE PRE-DILLED HOLES IN THE WALL PROFILES (SHOWN RIGHT). USE 3mm DRILL AND MAKE SURE YOU ONLY DRILL THROUGH ONE WALL THICKNESS.



6-1 Ø3.2mm

6-2 8x3

6-3 10x1

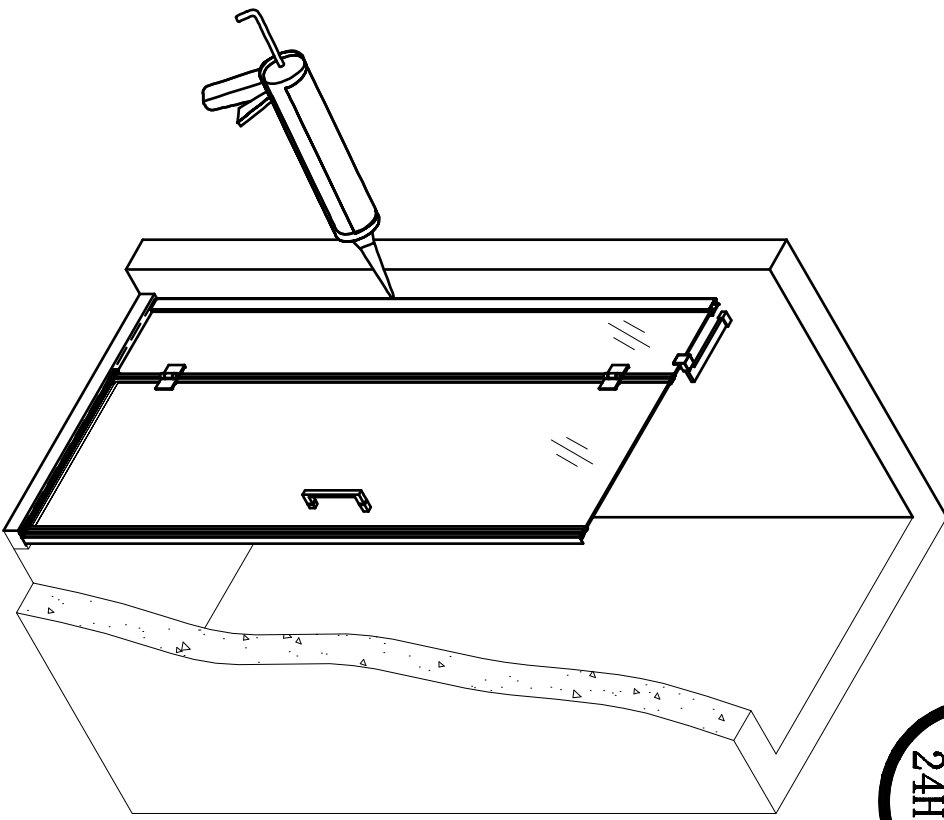
6-4 12

6-5 14x1

6-6 17x1

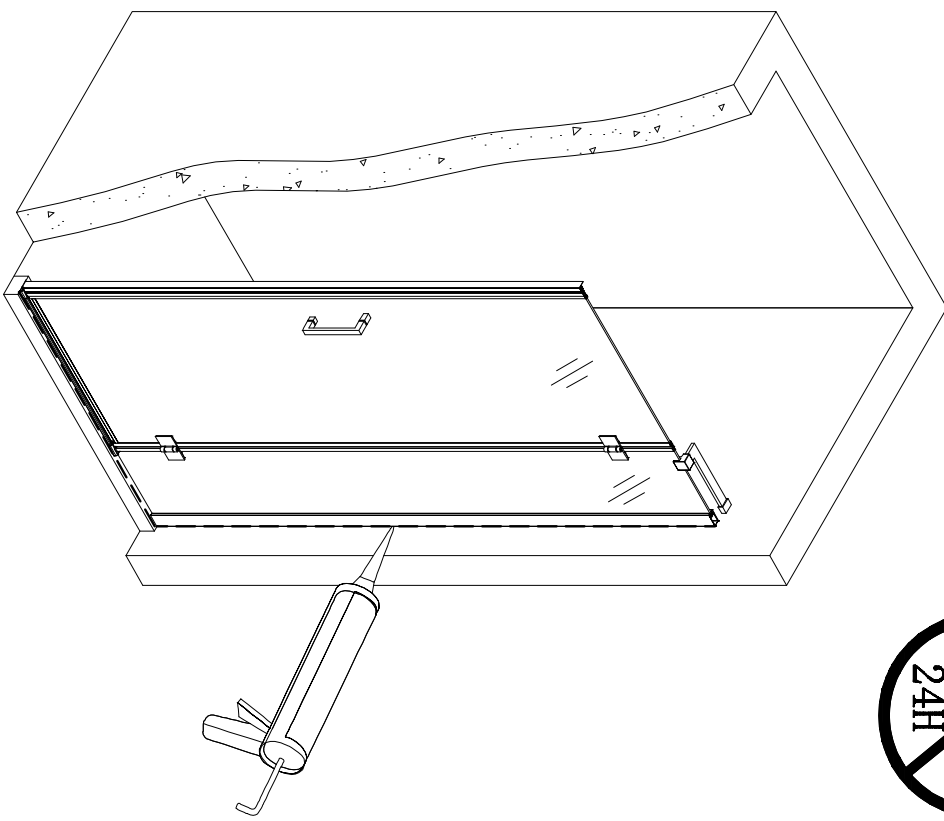
6-7 19x1

16x1



Care Instructions:

**Do not use your shower enclosure within 24 hours of assembly .
Do not use caustic cleaning products or abrasive material when
cleaning your shower enclosure.**

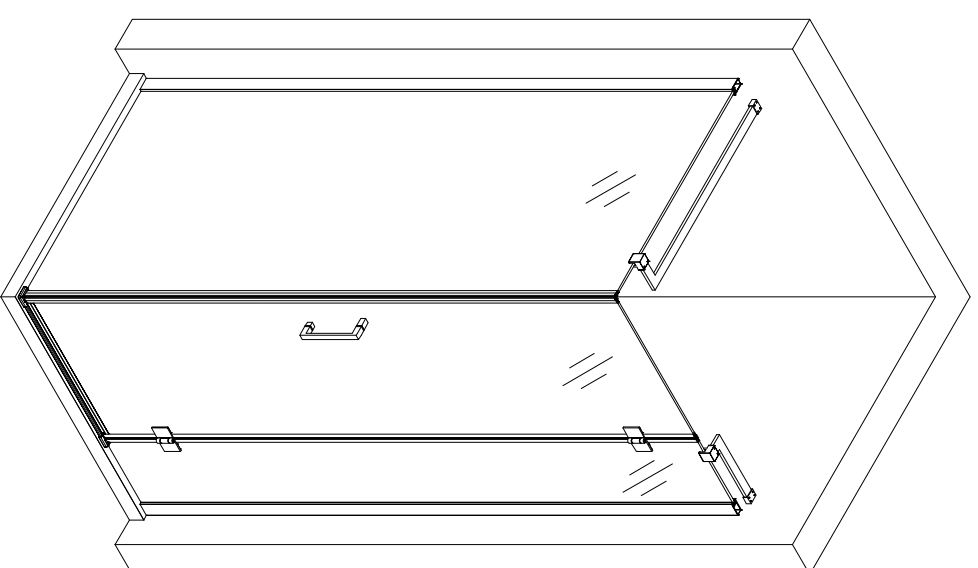
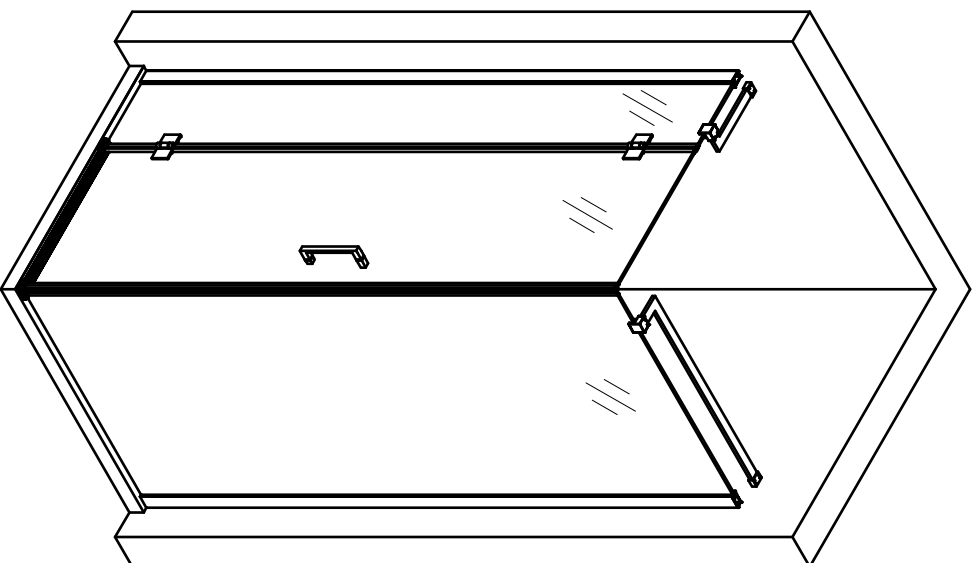


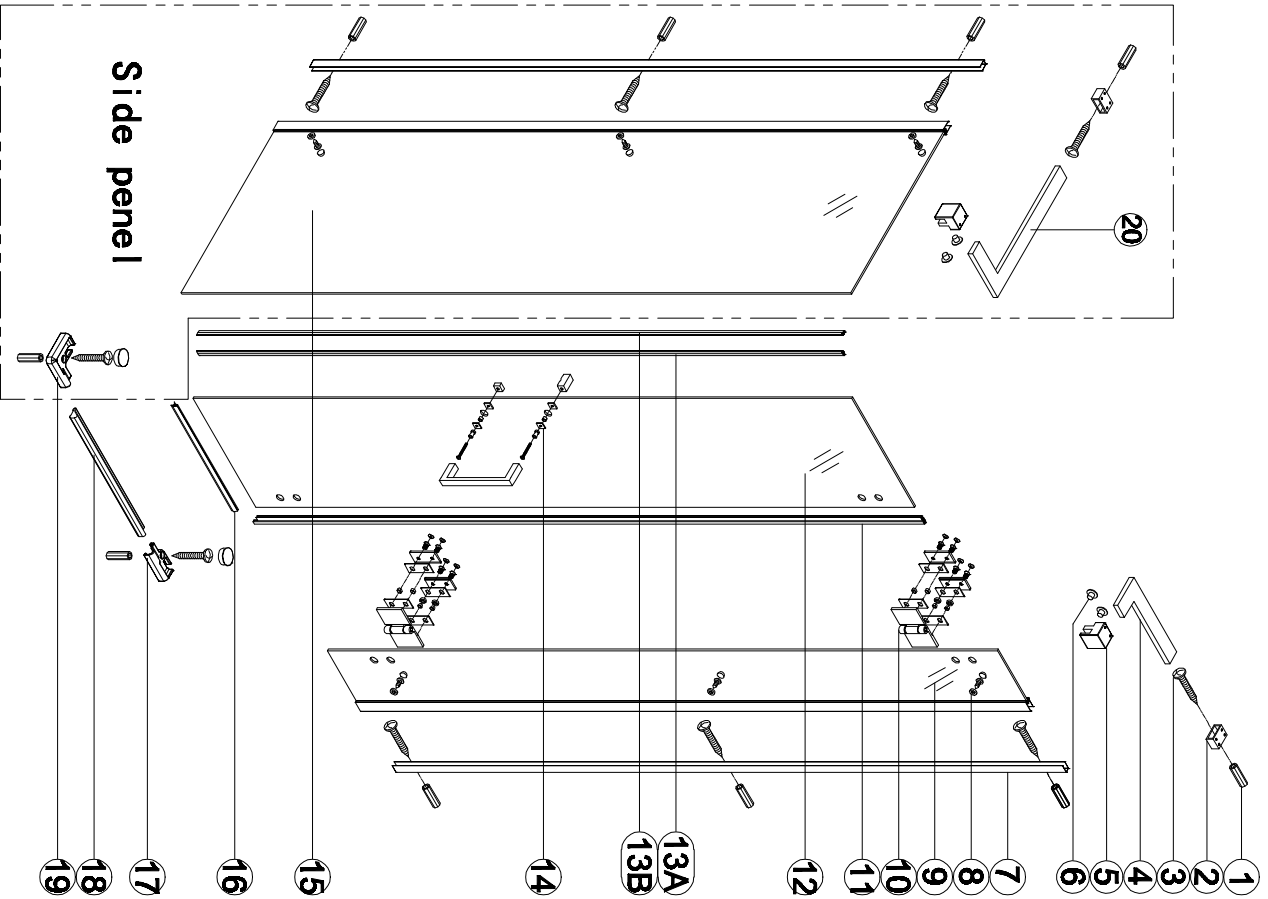
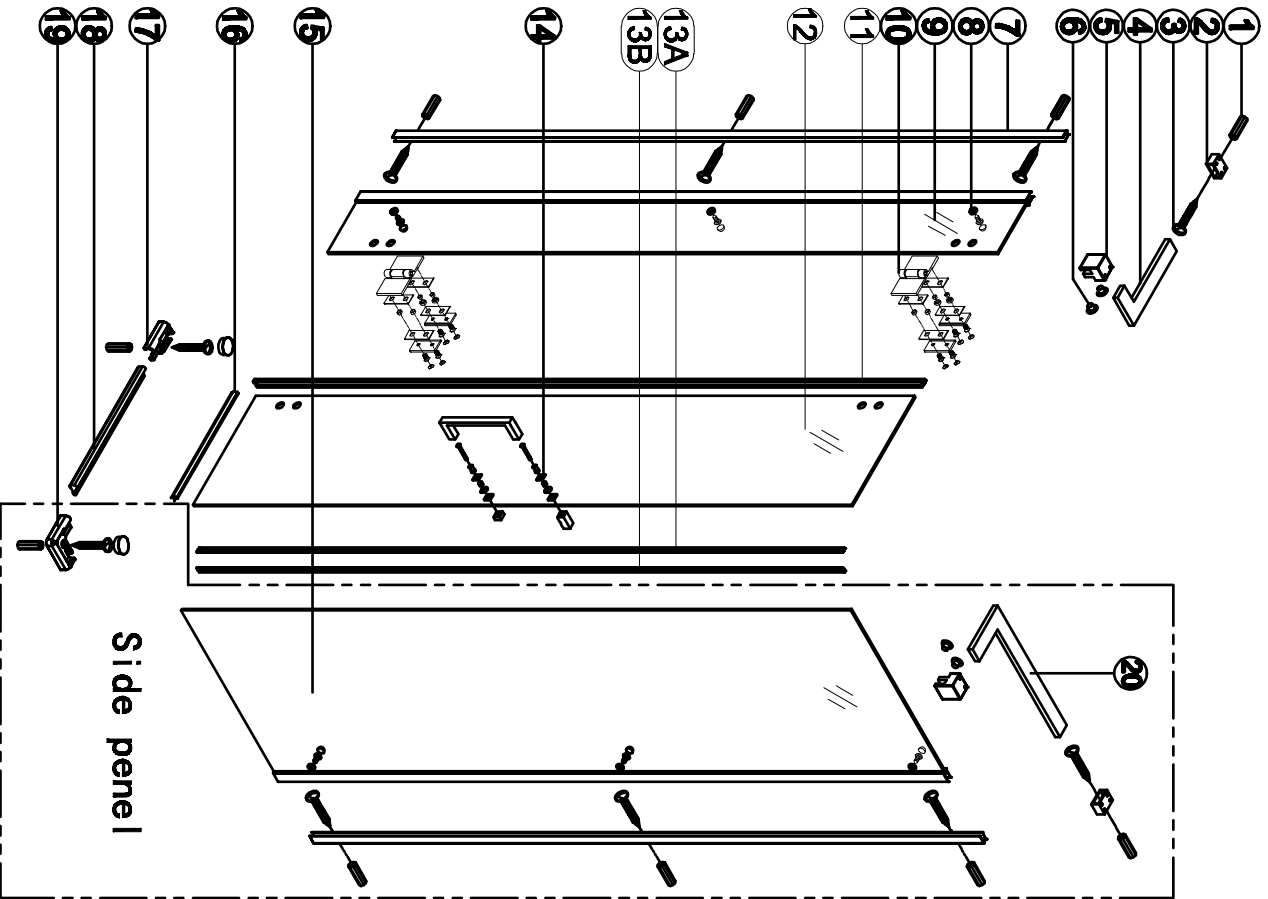
Care Instructions:

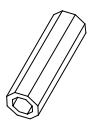
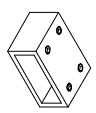

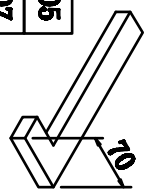
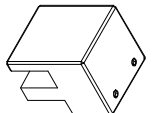
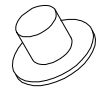
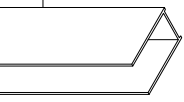
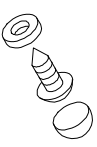
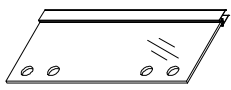
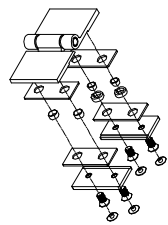
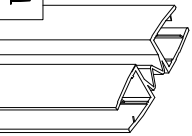
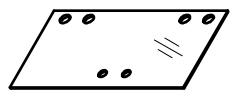

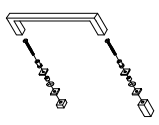
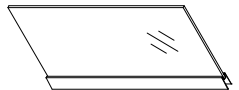
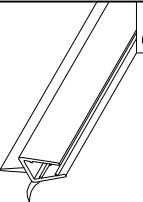
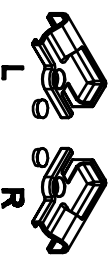
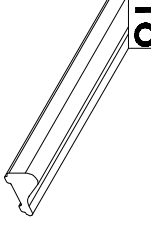
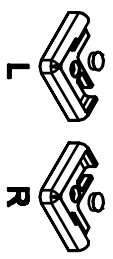
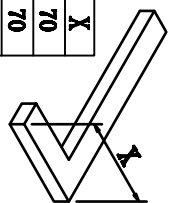
**Do not use your shower enclosure within 24 hours of assembly .
Do not use caustic cleaning products or abrasive material when
cleaning your shower enclosure.**

INSTALLATION MANUAL

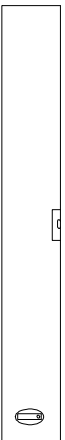
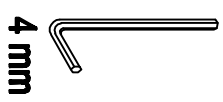
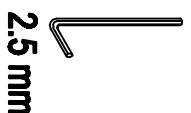
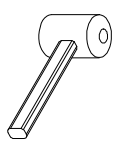
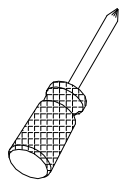
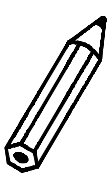
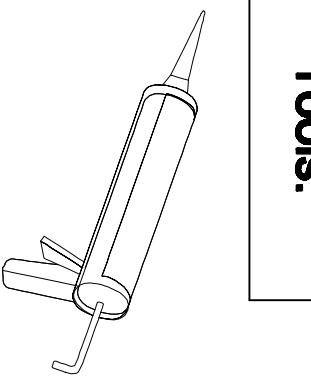
DR700-V3 / DR760-V3 / DR800-V3 / DR900-V3 / DR100-V3 / DR120-V3
+side panel





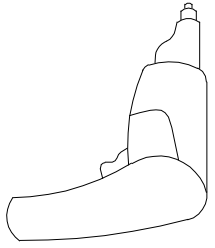
1		10Pcs	D6X25
2		2Pcs	WX-D01
3	ST4X30 	10Pcs	ST4X30
4		1Pc	WX-D05 WX-D07 WX-D09
5		2Pcs	WX-D02
6		4Pcs	D4X4
7		2Pcs	WX-B01
8	ST4X12 	6Pcs	ST4X12
9		1Pc	WX-D03
10		2Pcs	WX-D03
11		1Pc	WX-H01
12		1Pc	D4X4
13	A B 	1Pair	WX-H02
14		1Pc	WX-D04
15		1Pc	WX-H03
16		1Pc	WX-H03
17	L R 	2Pcs	WX-S01
18		1Pc	WX-B03
19	L R 	2Pcs	WX-S03
20		1Pc	WX-D11 WX-D12 WX-D11-V3 WX-D12-V3

Tools:



Ø6mm

Ø3.2mm

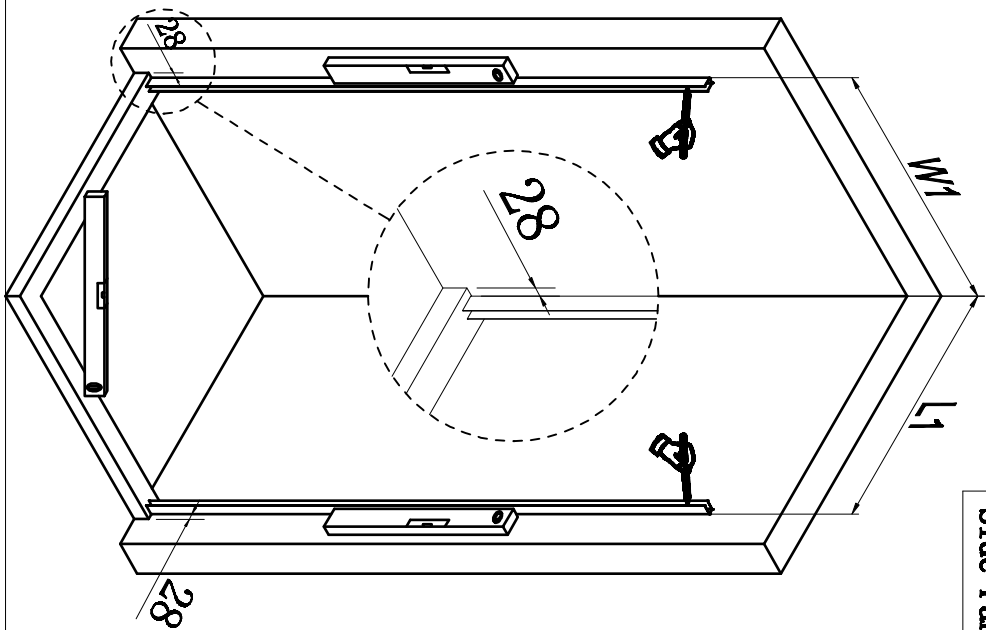


1

	W1	W2	L1	L2
1	700 652-672	660-680	652-672	660-680
2	760 712-732	720-740	712-732	720-740
3	800 752-772	760-780	752-772	760-780
4	900 852-872	860-880	852-872	860-880
5	1000 952-972	960-980	952-972	960-980
6	1200		1152-1172	1160-1180

Side Panel

Door

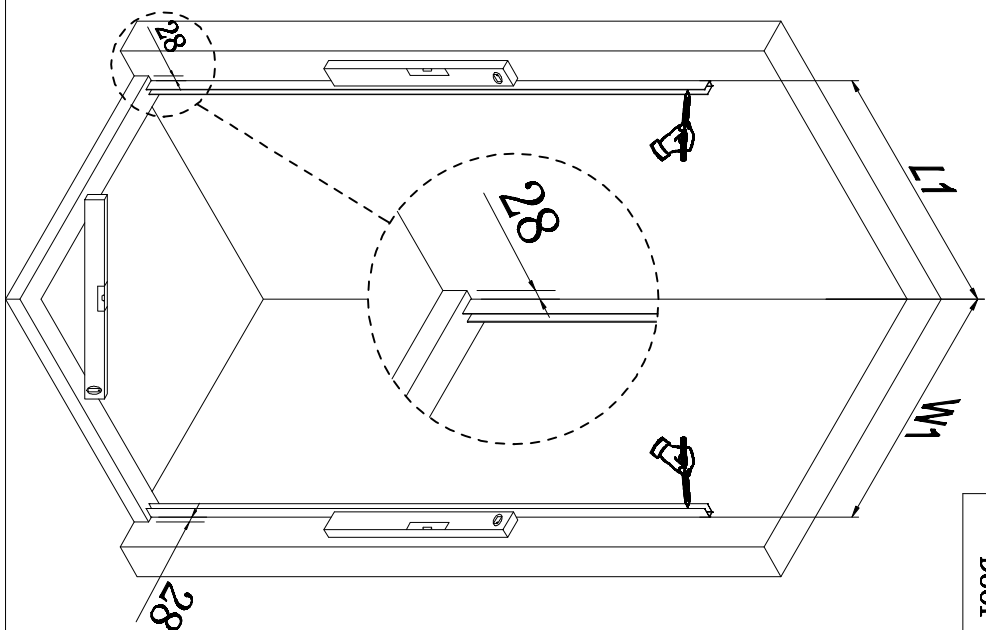


1

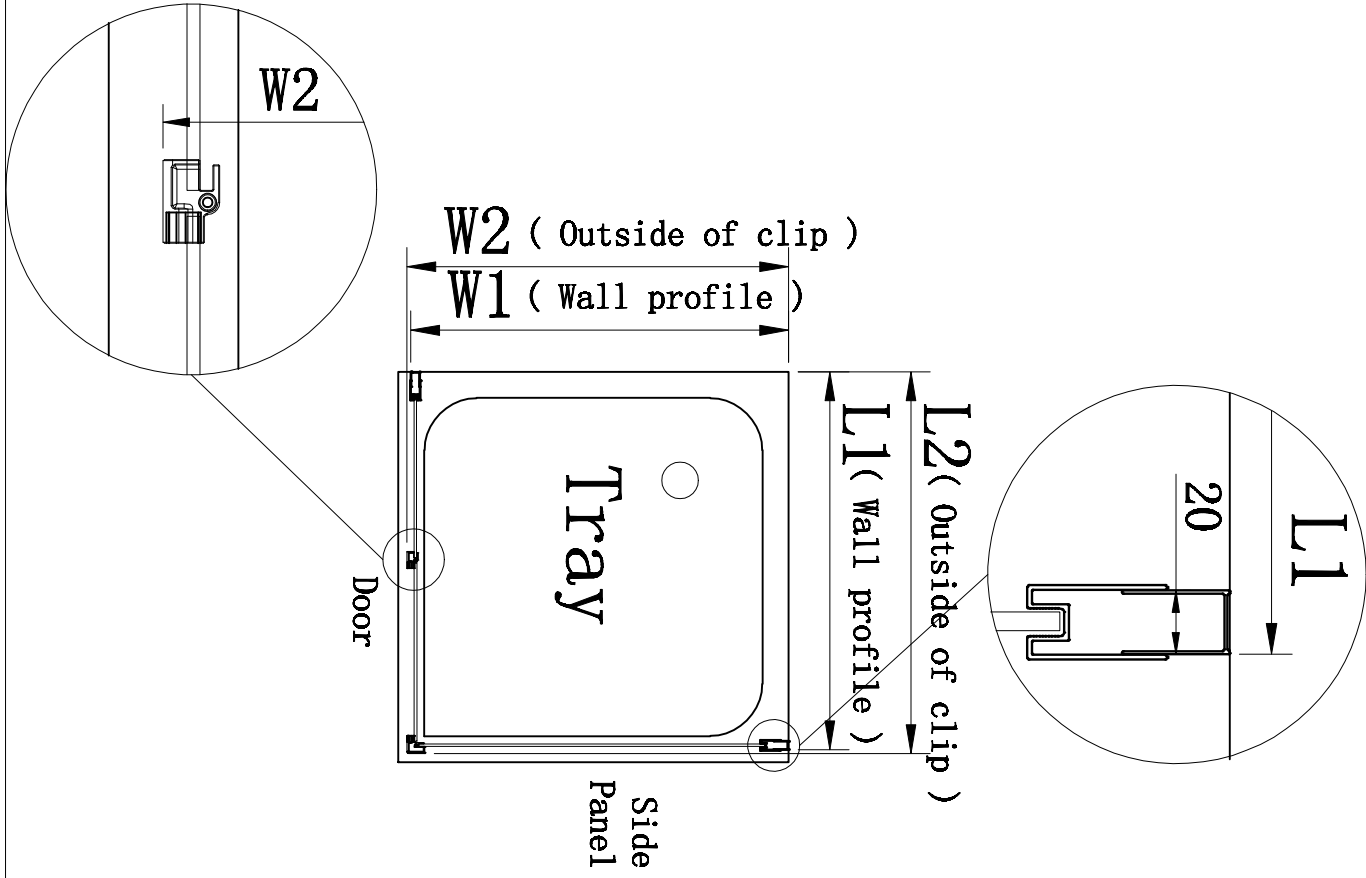
	L1	L2	W1	W2
1	700 652-672	660-680	652-672	660-680
2	760 712-732	720-740	712-732	720-740
3	800 752-772	760-780	752-772	760-780
4	900 852-872	860-880	852-872	860-880
5	1000 952-972	960-980	952-972	960-980
6	1200	1152-1172	1160-1180	

Door

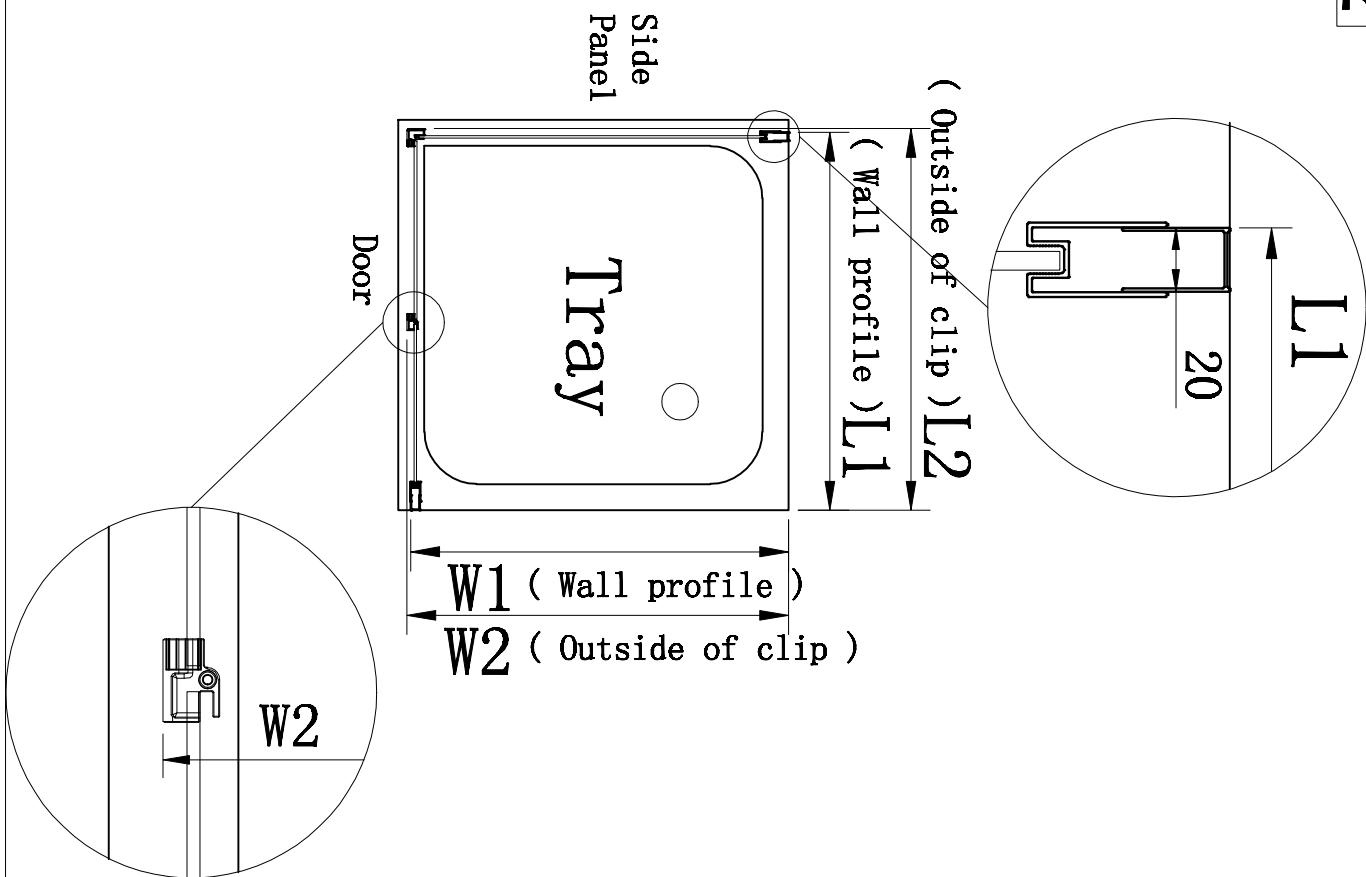
Side Panel



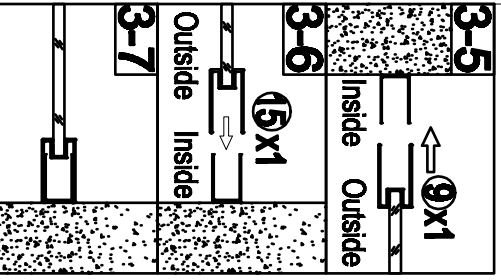
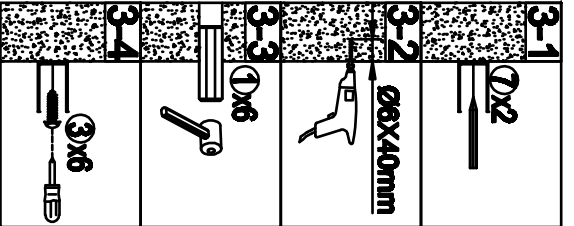
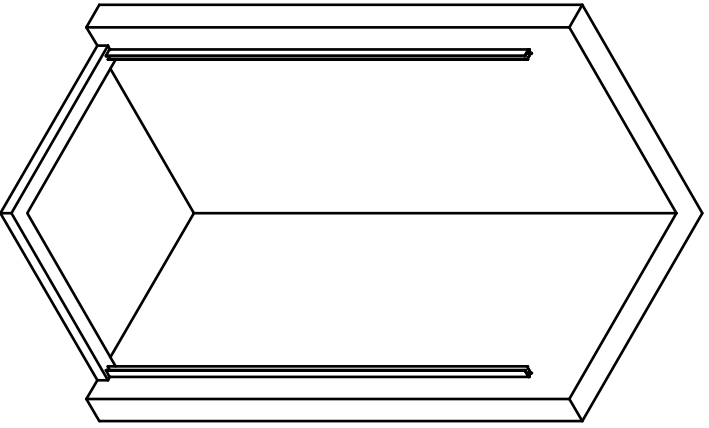
2



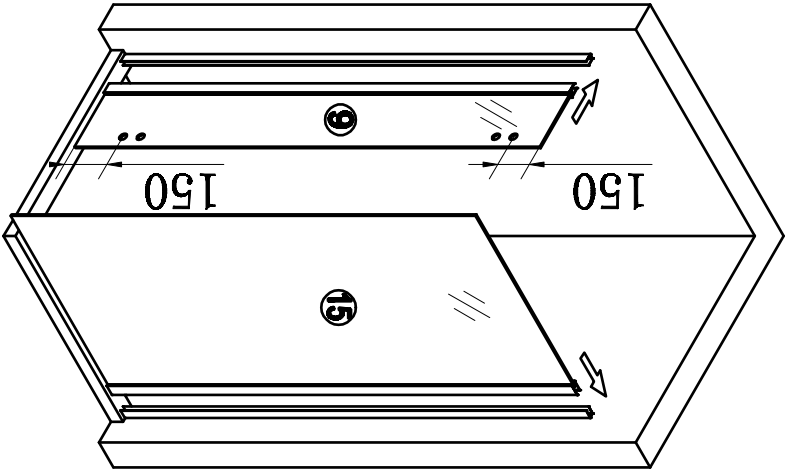
2



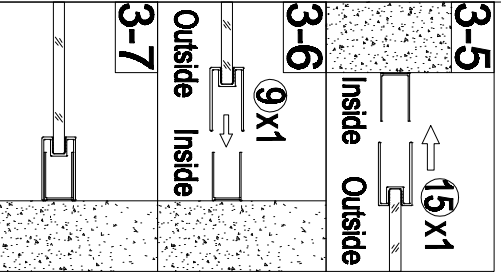
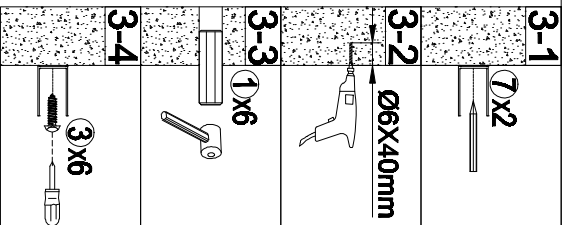
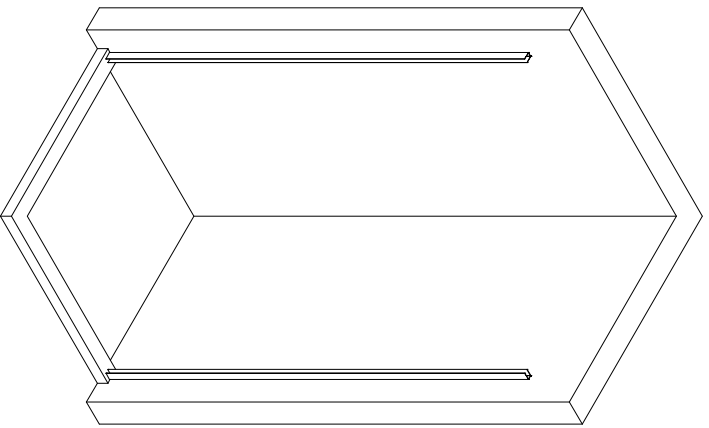
3



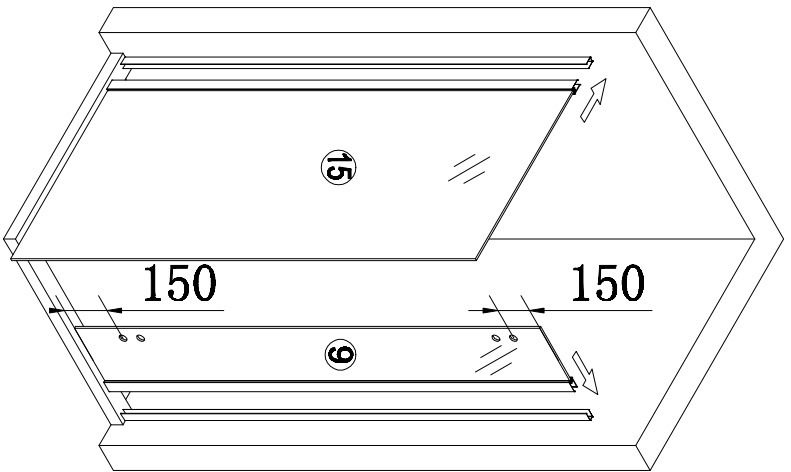
THE PROFILES AND THE GLASS SHOULD BE SET TRUE & LEVEL WITH A SPIRIT LEVEL.



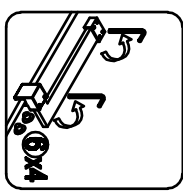
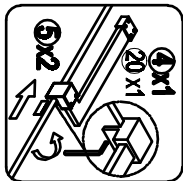
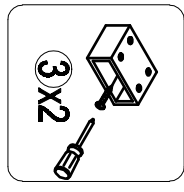
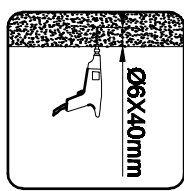
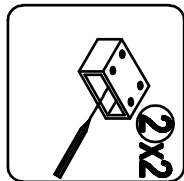
3



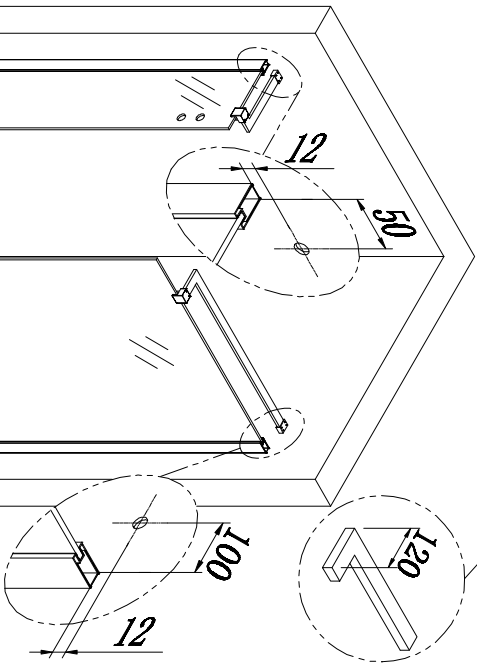
THE PROFILES AND THE GLASS SHOULD BE SET TRUE & LEVEL WITH A SPIRIT LEVEL.



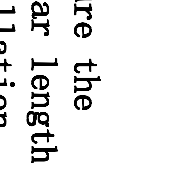
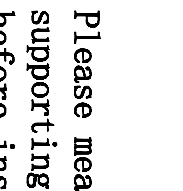
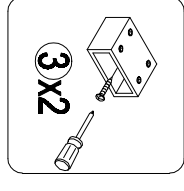
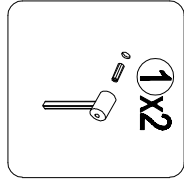
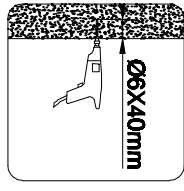
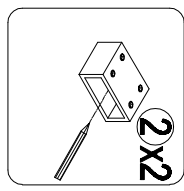
4-2



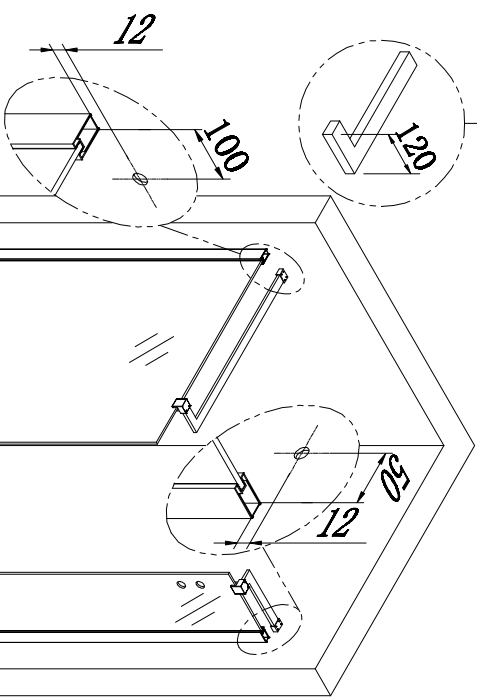
Please measure the supporting bar length before installation.
If 120mm



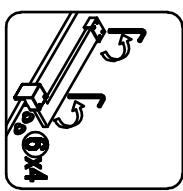
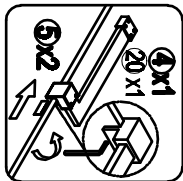
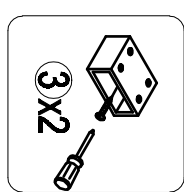
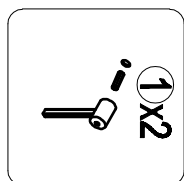
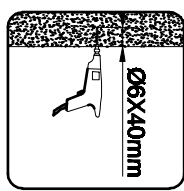
4-2



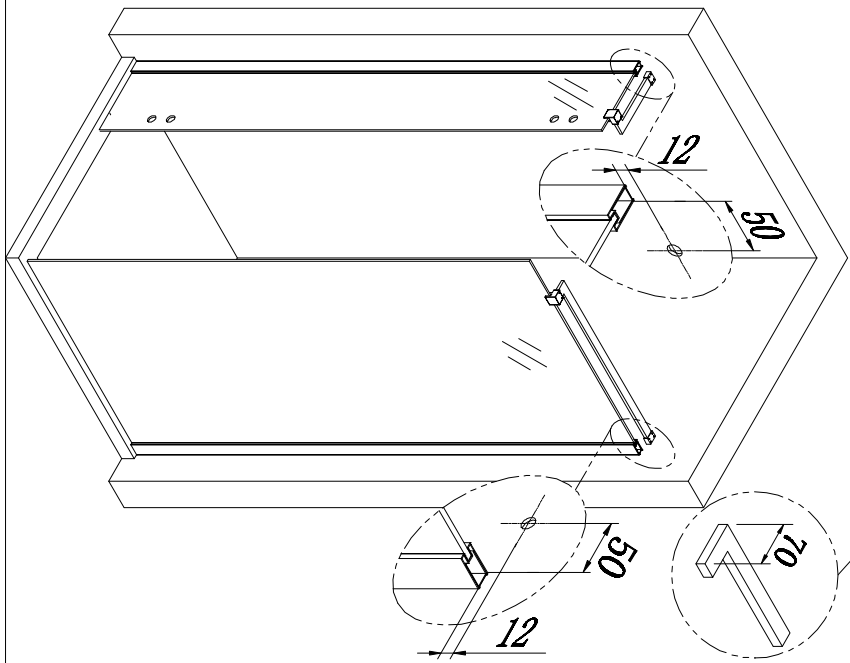
Please measure the supporting bar length before installation.
If 120mm



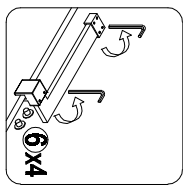
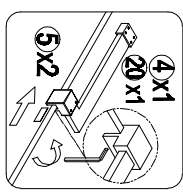
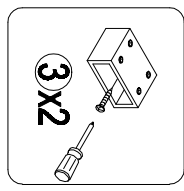
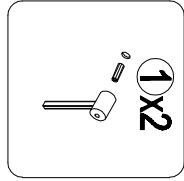
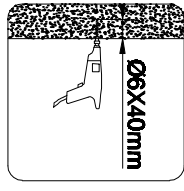
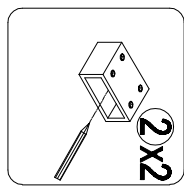
4-b



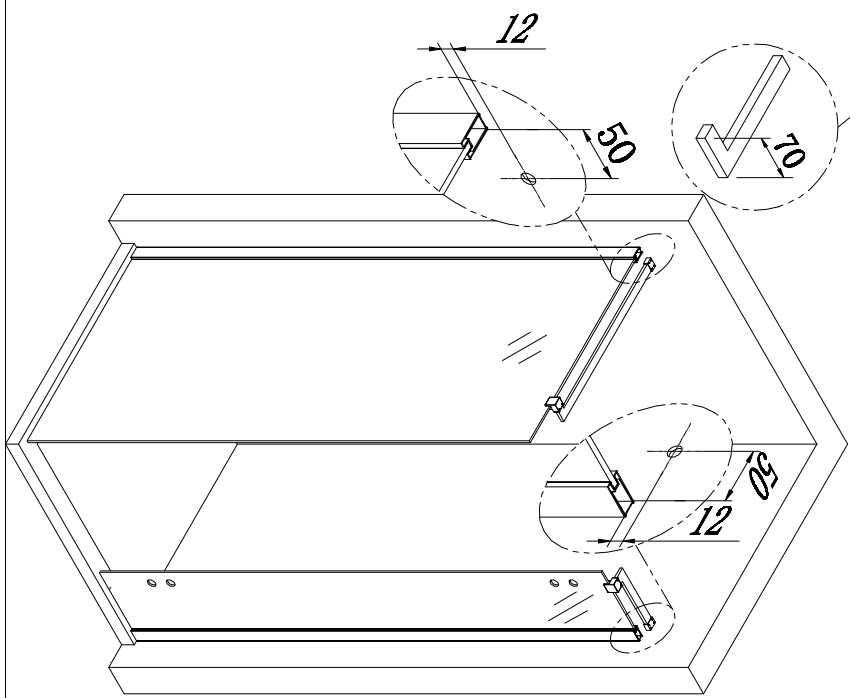
Please measure the supporting bar length before installation.
If 70mm



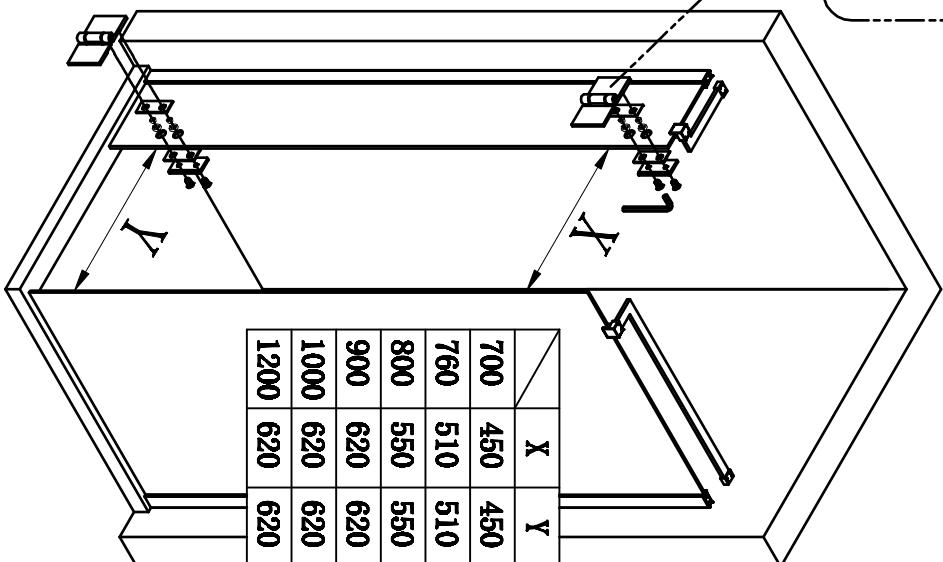
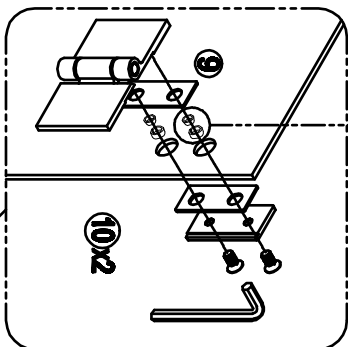
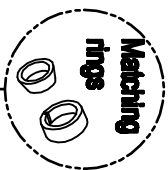
4-b



Please measure the supporting bar length before installation.
If 70mm

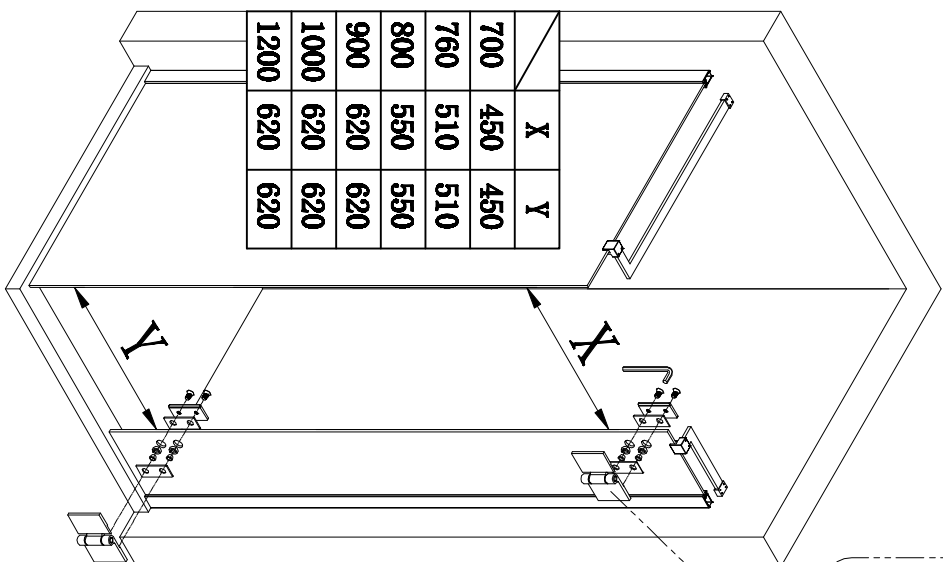
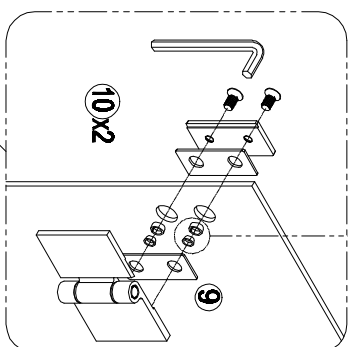
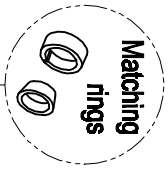


5

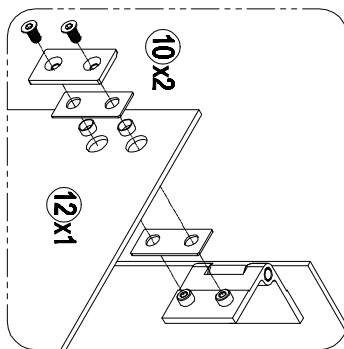
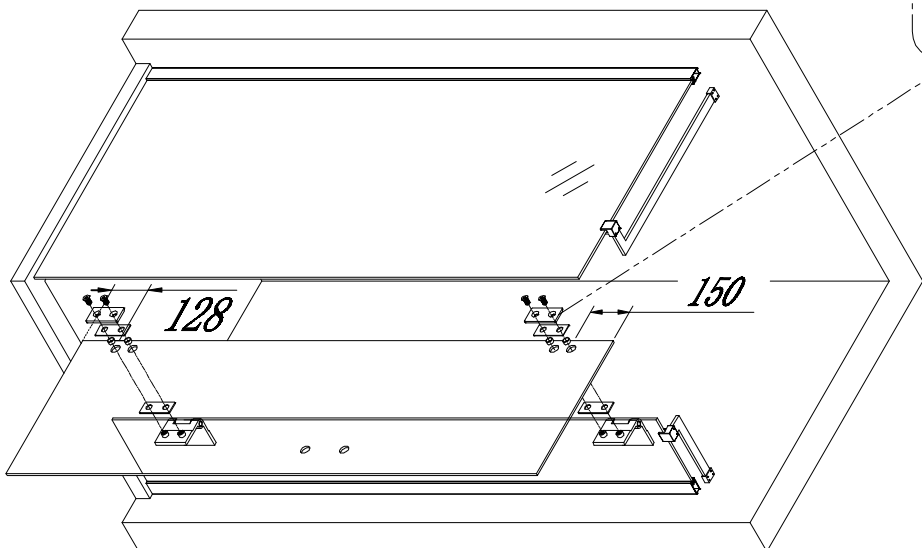
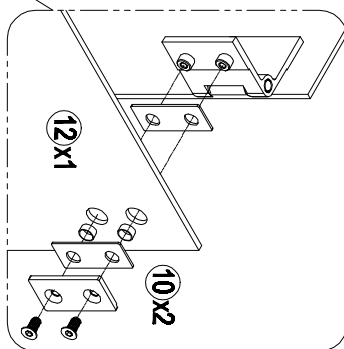
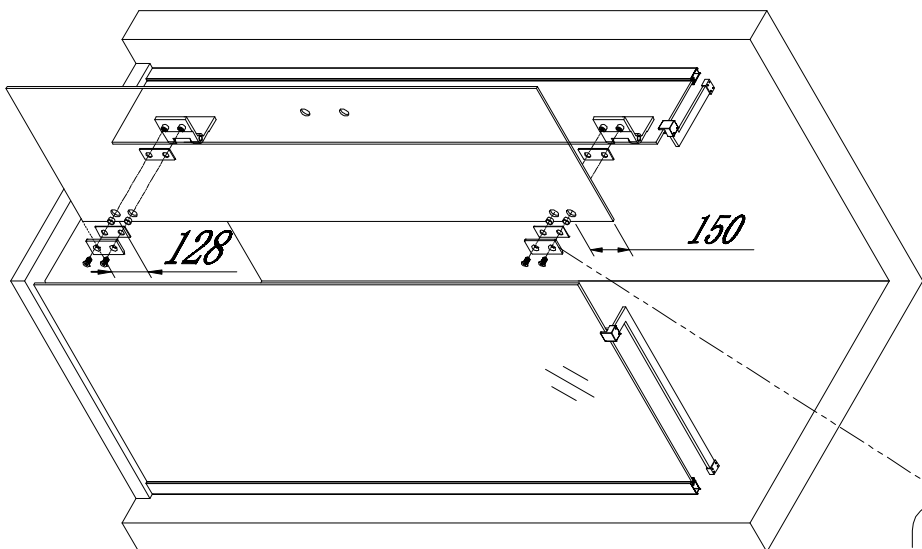


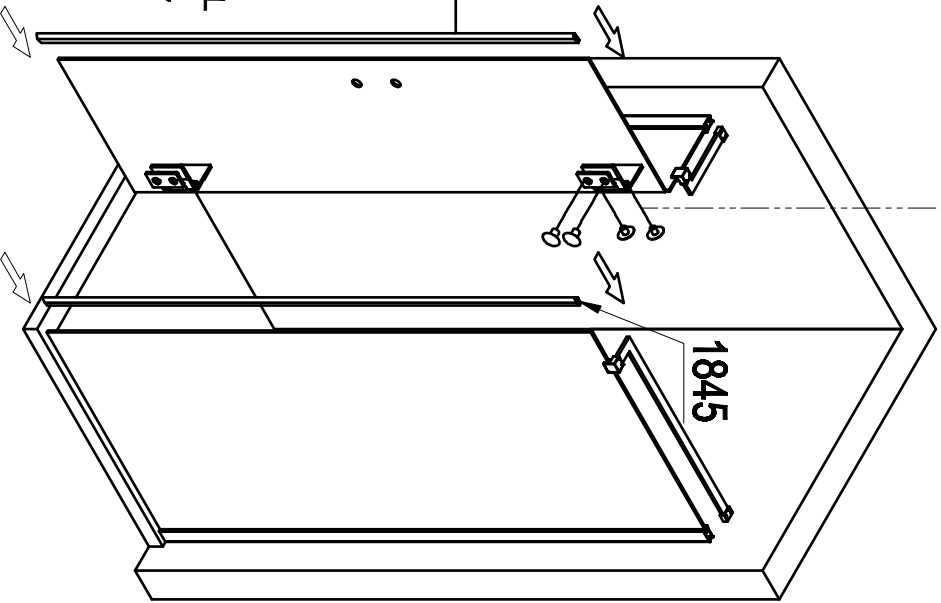
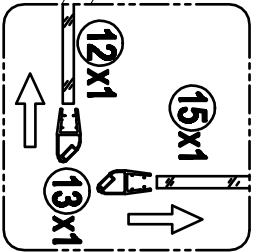
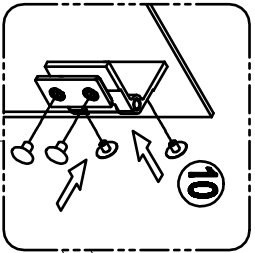
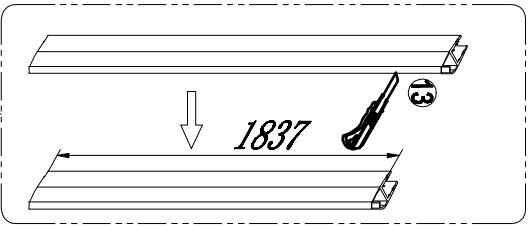
	X	Y
700	450	450
760	510	510
800	550	550
900	620	620
1000	620	620
1200	620	620

5

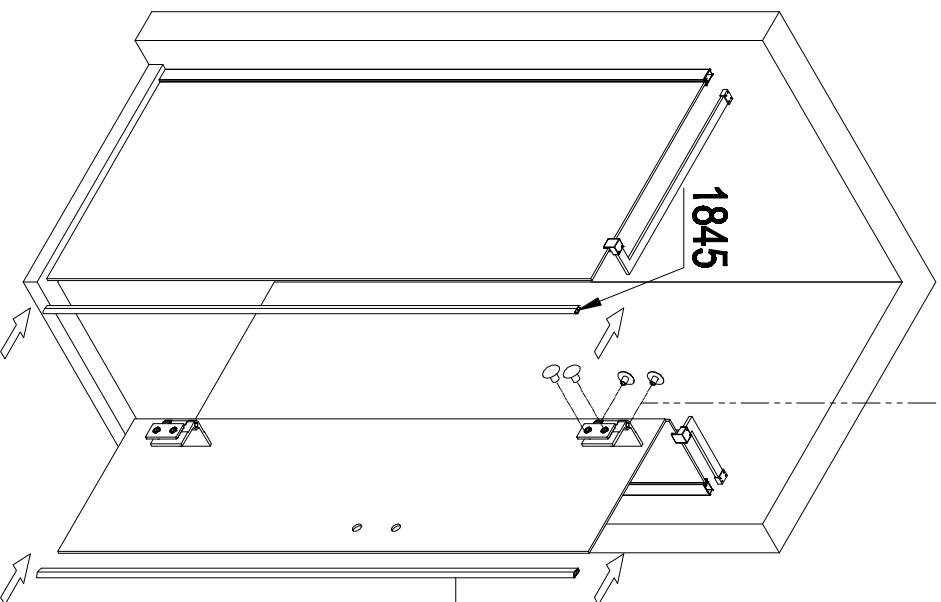
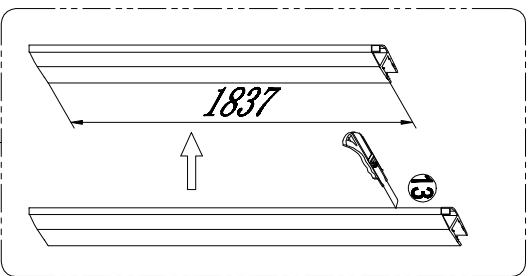
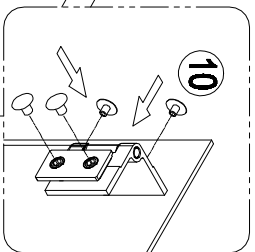
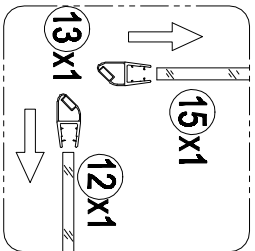


	X	Y
700	450	450
760	510	510
800	550	550
900	620	620
1000	620	620
1200	620	620





IT IS VERY IMPORTANT TO HAVE THE BOTTOM OF THE GLASS PARALLEL TO THE TRAY TOP FACE, IT MUST HAVE A 22MM EVEN GAP ALL THE WAY ALONG.

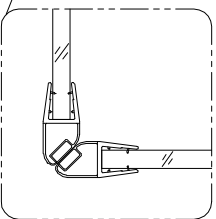
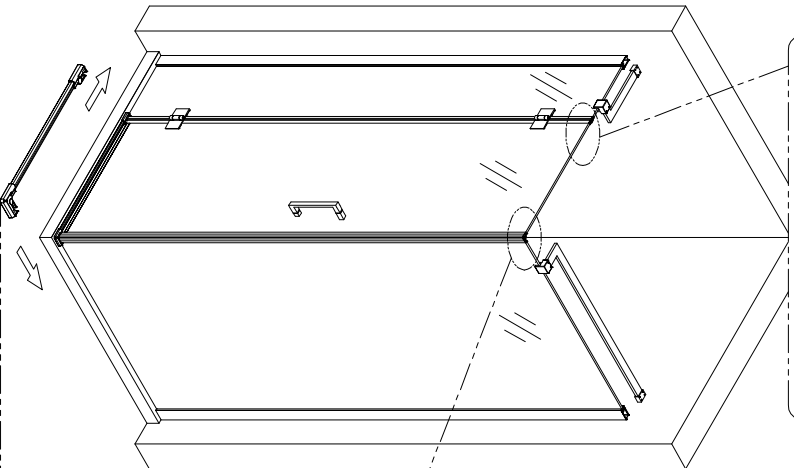


IT IS VERY IMPORTANT TO HAVE THE BOTTOM OF THE GLASS PARALLEL TO THE TRAY TOP FACE, IT MUST HAVE A 22MM EVEN GAP ALL THE WAY ALONG.

Fixed glass

Door Glass

DRILL THROUGH THE PRE-DILLED HOLES IN THE WALL PROFILES (SHOWN RIGHT). USE 3mm DRILL AND MAKE SURE YOU ONLY DRILL THROUGH ONE WALL THICKNESS.



8-1 Ø3.2mm

8-2 8x6

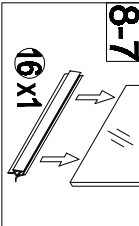
8-3 11x1

8-4 9 12

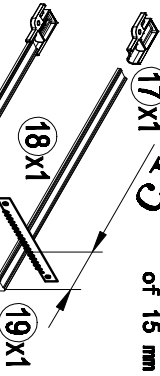
8-5 14x1

8-6 3x1 17x1 19x1

8-7 1x1 16x1



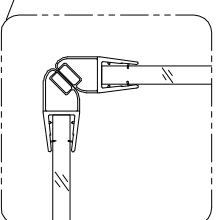
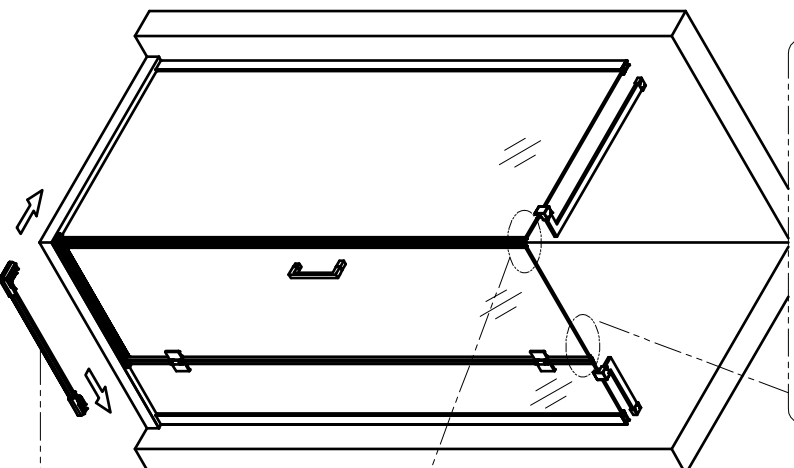
Cutting the bottom strip of 15 mm



Door Glass

Fixed glass

DRILL THROUGH THE PRE-DILLED HOLES IN THE WALL PROFILES (SHOWN RIGHT). USE 3mm DRILL AND MAKE SURE YOU ONLY DRILL THROUGH ONE WALL THICKNESS.



8-1 Ø3.2mm

8-2 8x6

8-3 11x1

8-4 9 12

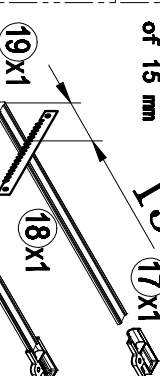
8-5 14x1

8-6 3x1 17x1 19x1

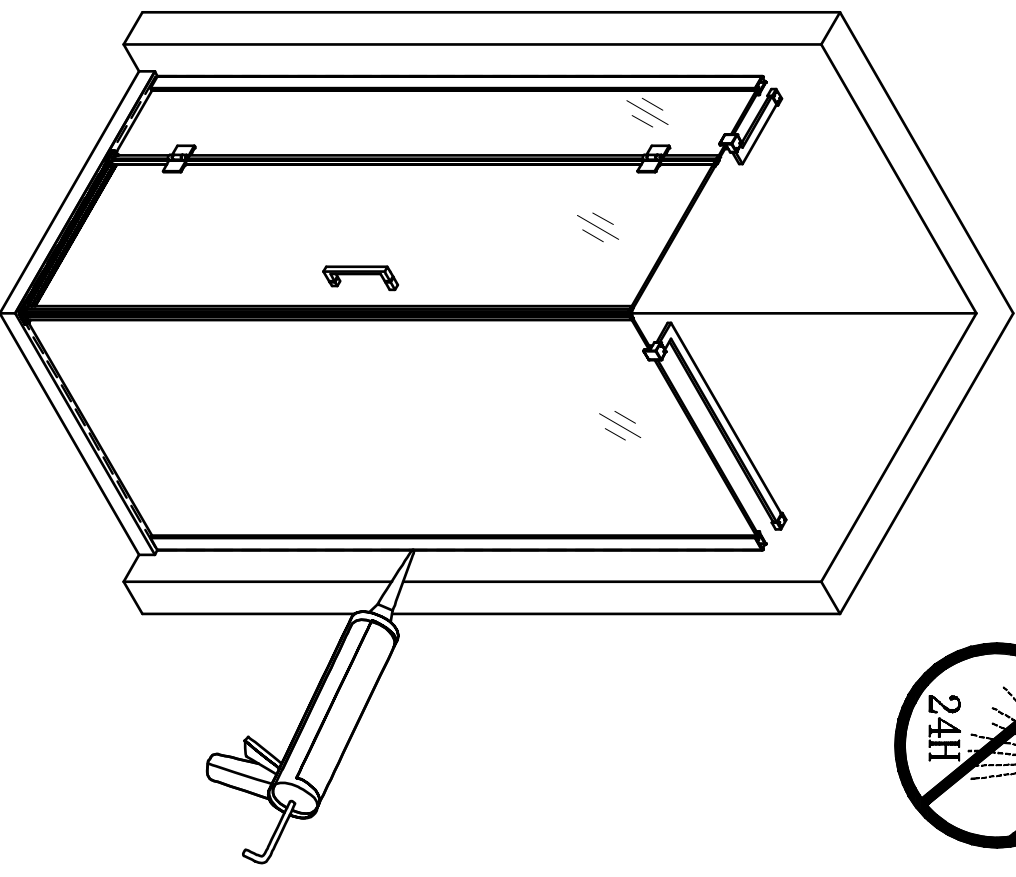
8-7 1x1 16x1



Cutting the bottom strip of 15 mm



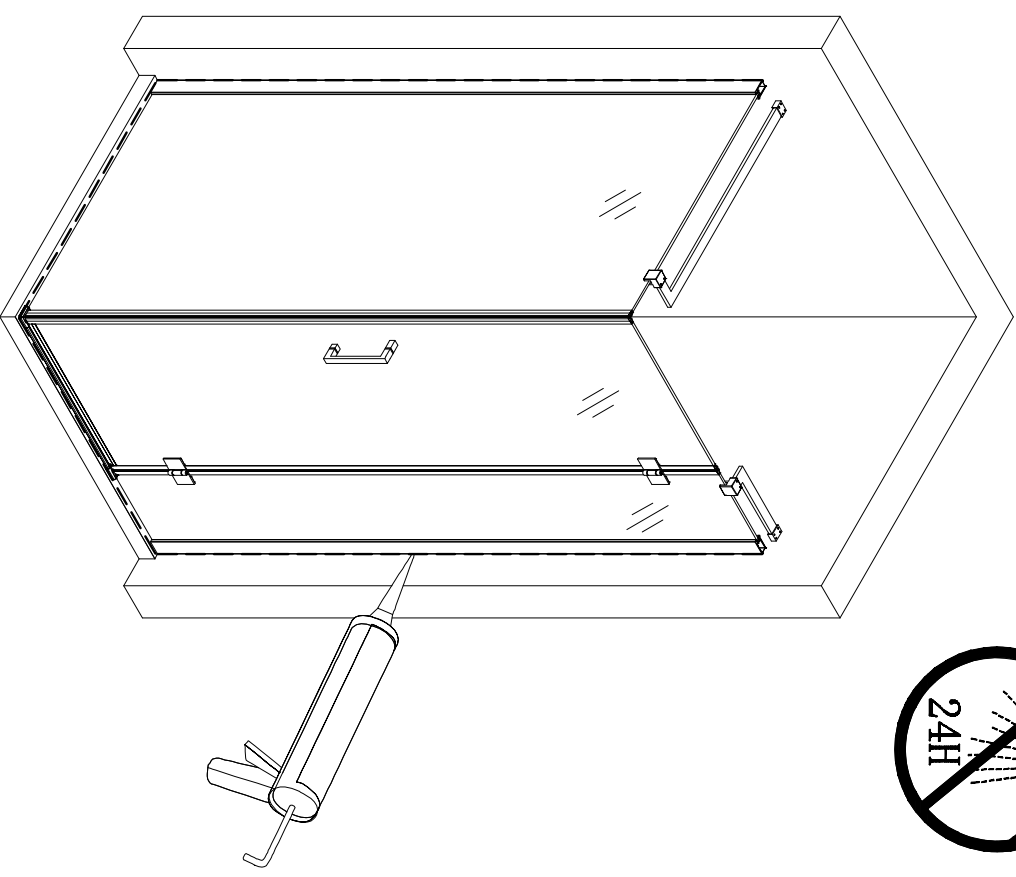
9



Care Instructions:

**Do not use your shower enclosure within 24 hours of assembly .
Do not use caustic cleaning products or abrasive material when
cleaning your shower enclosure.**

9



Care Instructions:

**Do not use your shower enclosure within 24 hours of assembly .
Do not use caustic cleaning products or abrasive material when
cleaning your shower enclosure.**