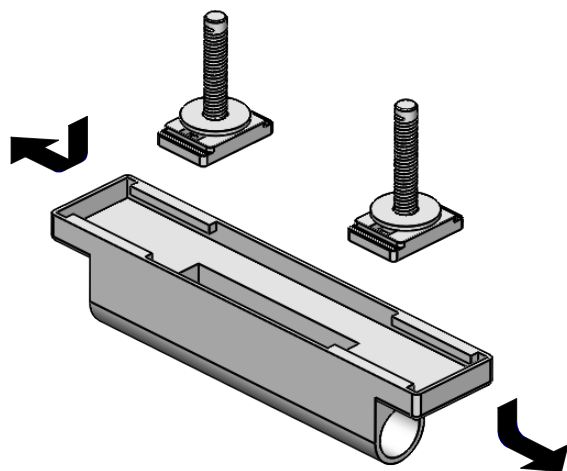
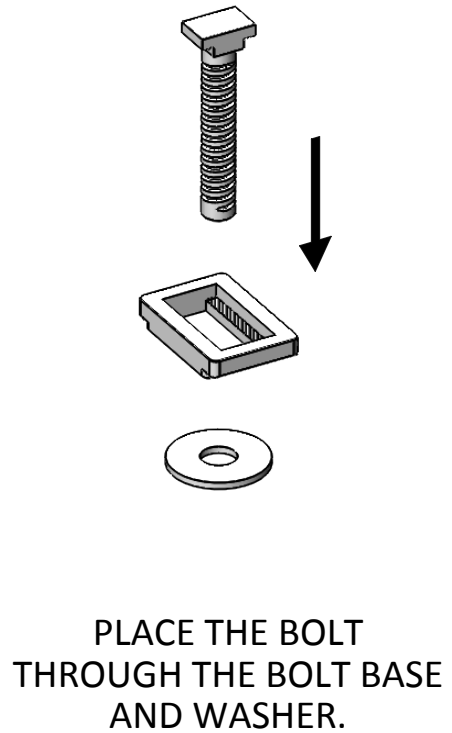
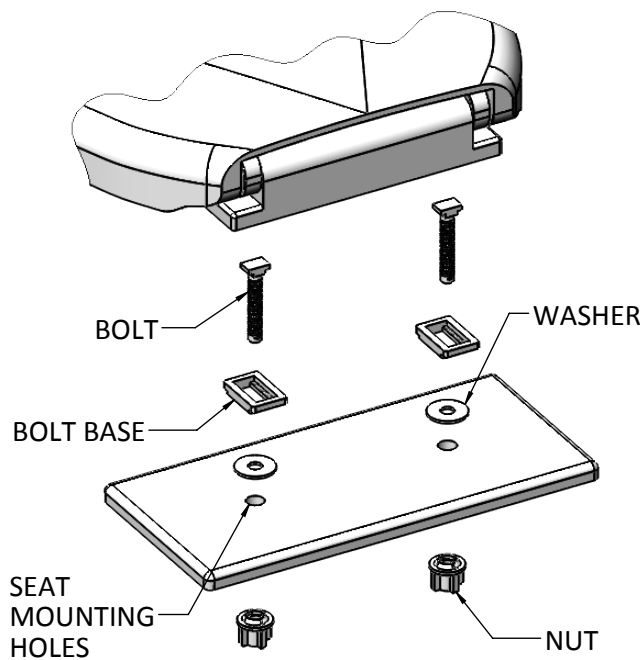


# INSTALLATION INSTRUCTION FOR SLOW CLOSE TOILET SEAT



SLIDE THE BOLT ASSEMBLIES INTO THE SLOTS ON THE UNDERSIDE OF THE SEAT BARREL.

CENTRALISE TO THE SEAT MOUNTING HOLES ENSURING BOTH SIDES ARE EVEN.

FIT THE SEAT ASSEMBLY ON TO THE SEAT MOUNTING HOLES AND USE THE NUTS TO FIX THE SEAT IN PLACE.

ENSURE EVEN AND LEVEL BEFORE TIGHTENING NUTS. DO NOT OVER TIGHTEN.

