






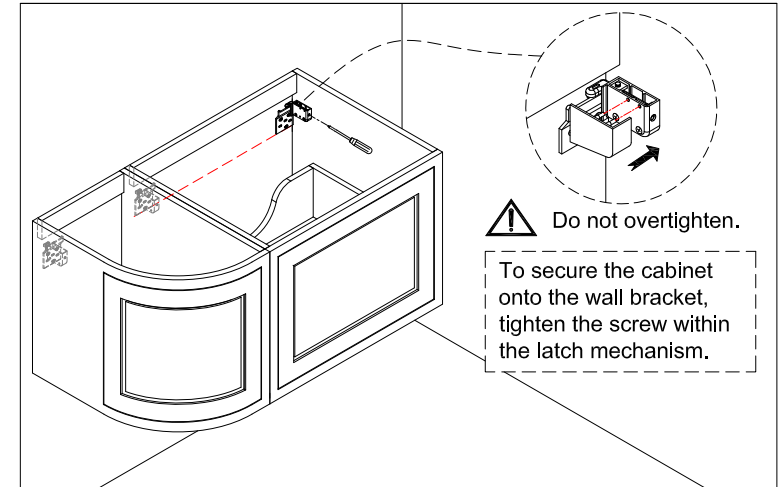
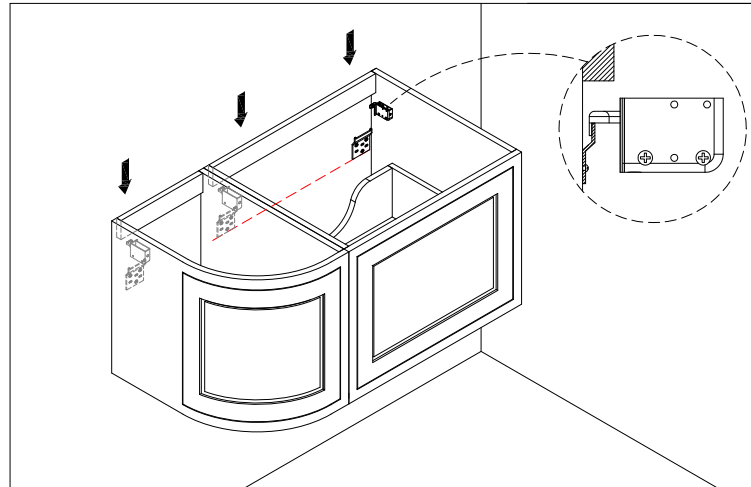
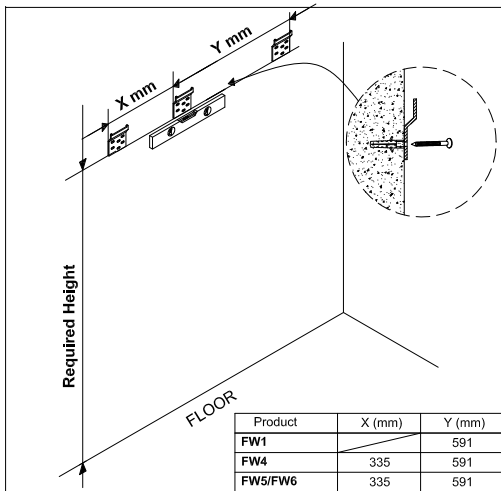


**IMPORTANT:** This unit must be securely fixed to a wall. Ensure that the top is horizontal before marking the wall for fixing. The wall fixings supplied may not be suitable for your installation. You may need to source alternatives depending on the material and strength of the wall you are fixing to.

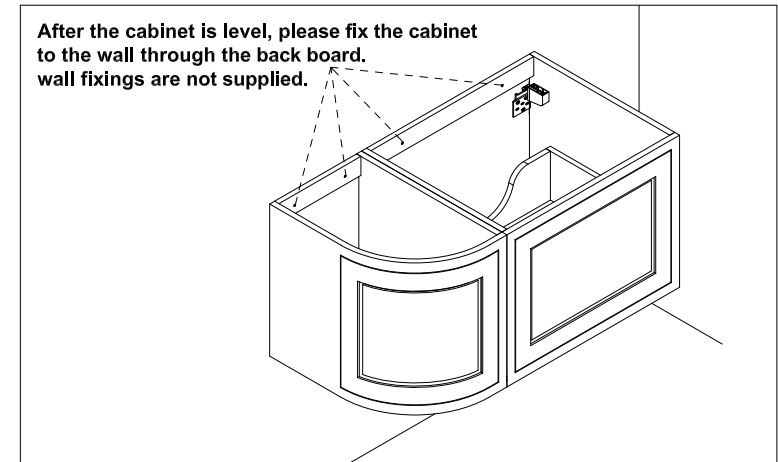
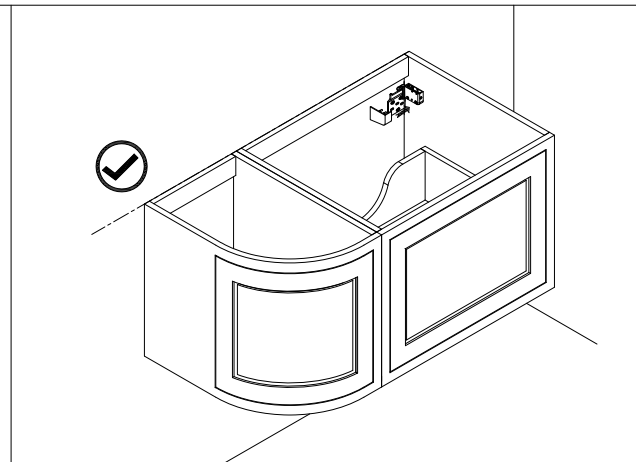
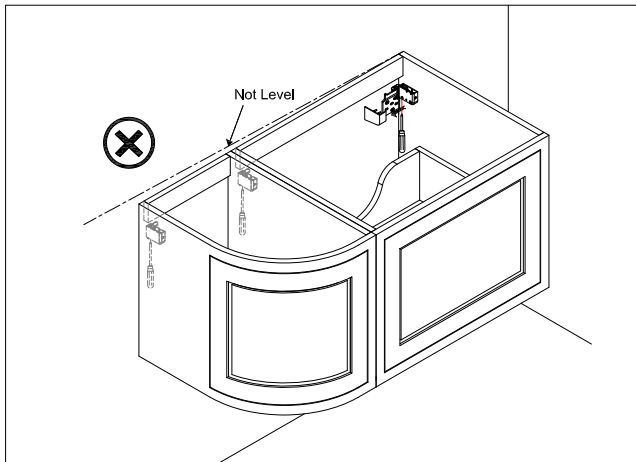
Buffers are supplied to stop the crash of the doors and drawers. These can be fitted if necessary.

**Parts Supplied:**

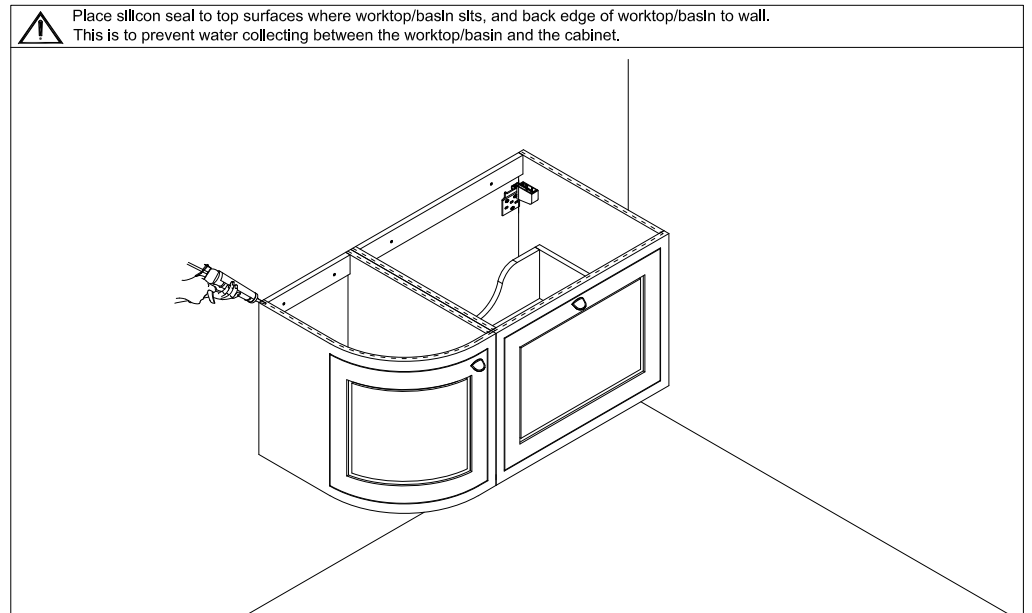
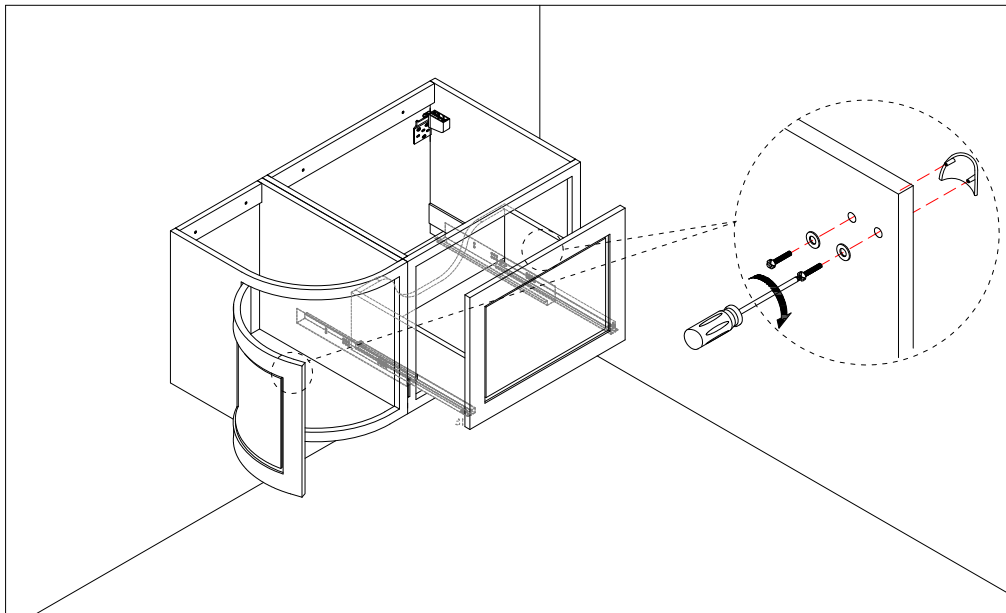
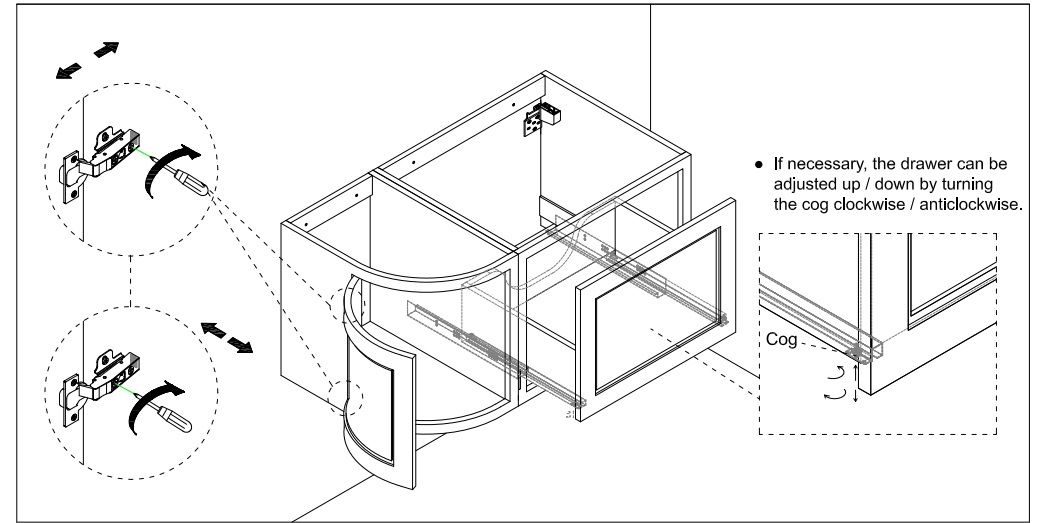
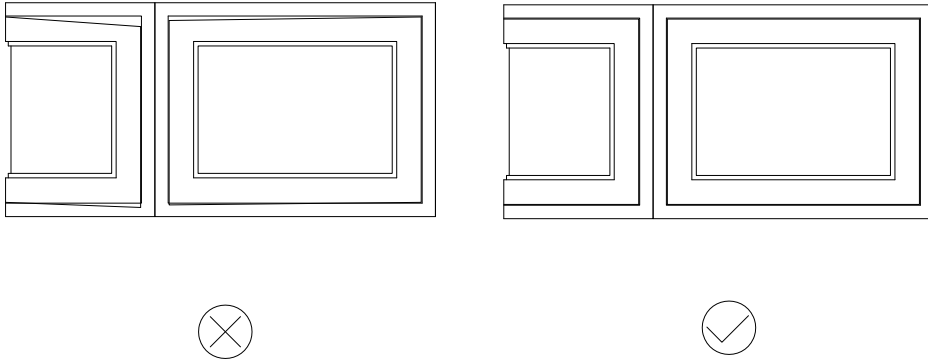
|                |   |   |   |   |   |   |   |
|----------------|---|---|---|---|---|---|---|
|                |  |  |  |  |  |  |  |
| <b>FW1</b>     | 6   | 6   | 2   | 1   |   | 4   | 1   |
| <b>FW4</b>     | 12  | 12  | 4   | 3   | 8   | 12  | 1   |
| <b>FW5/FW6</b> | 9   | 9   | 3   | 2   | 4   | 8   | 1   |



**Only if adjustment is required!**  
 (Following the method shown in below diagrams to adjust the cabinet if it is not level.)



- Check the door or drawer for level. If not, please adjust the screw on the hinge or adjust the cog on the runner.



**Care and Maintenance:** This is a wood product, and has a water resistant finish. It should not be left wet, and the quality of the finish is best maintained if it is wiped with a dry cloth after use. It should only be cleaned using a soft damp cloth followed by a dry cloth. Do not use bleach or any abrasive cleaner.