

Clifton Accessories.

Congratulations on your purchase of this high quality Clifton bathroom accessory. Before commencing with the installation, please carefully read the instructions on how to assemble & maintain your product.



Before starting any installation project please consider the following:
Prior to drilling into walls, check there are no hidden electrical wires or cables or water supply pipes with the aid of an electrical detector.
If you use power tools do not forget:

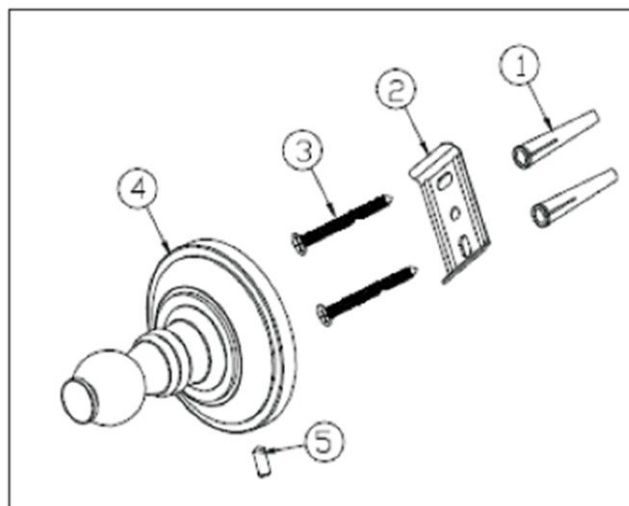
- Wear eye protection
- Unplug equipment after use

Installation.

1. Check all components are present & correct before starting installation.
2. **Single wall fixing:** Establish the position for the accessory & mark out the fixing holes using the wall bracket as a template.
3. **Double wall fixing:** Either use the accessory as a template to establish the position for the wall & mark out the fixing holes, or measure the distance between the fixing holes.
4. Drill holes to suit & insert the wall plugs (supplied) if required.
5. Screw the wall bracket (2) to the wall with the screws (3) provided.
6. Loosen off the screws (3) (**but don't remove**) in the accessory & place the accessory over the wall bracket with the screws.
7. Tighten up the screws (3) until the accessory is secure against the wall.
8. See the back page for aftercare instructions

Contents.

1. Wall plug
2. Wall bracket
3. Screw
4. Accessory
5. Grub screw



Please keep these instructions for future reference

Aftercare Instructions.

Your fitting has a high quality finish and should be treated with care to preserve the visible surfaces.

All surface finishes will wear if not cleaned correctly, the only safe way to clean your product, is to wipe with a soft damp cloth. Stains can be removed using washing up liquid. All bath cleaning powders and liquids can damage the surface of your fitting even the non-scratch cleaners.

Guarantee.

All products are manufactured to the highest standards and a 5-year guarantee covers any defect in manufacture.

Contact Details.

If you require further assistance please contact Heritage Sales and Technical Enquiries:

Sales : 0844 701 8501

Technical: 0844 701 8503

Email: Technical@heritagebathrooms.com

Website: www.heritagebathrooms.com

**Heritage Bathrooms
Unit 6 Albert Road
St Philips Central
Bristol
BS2 0XJ**

