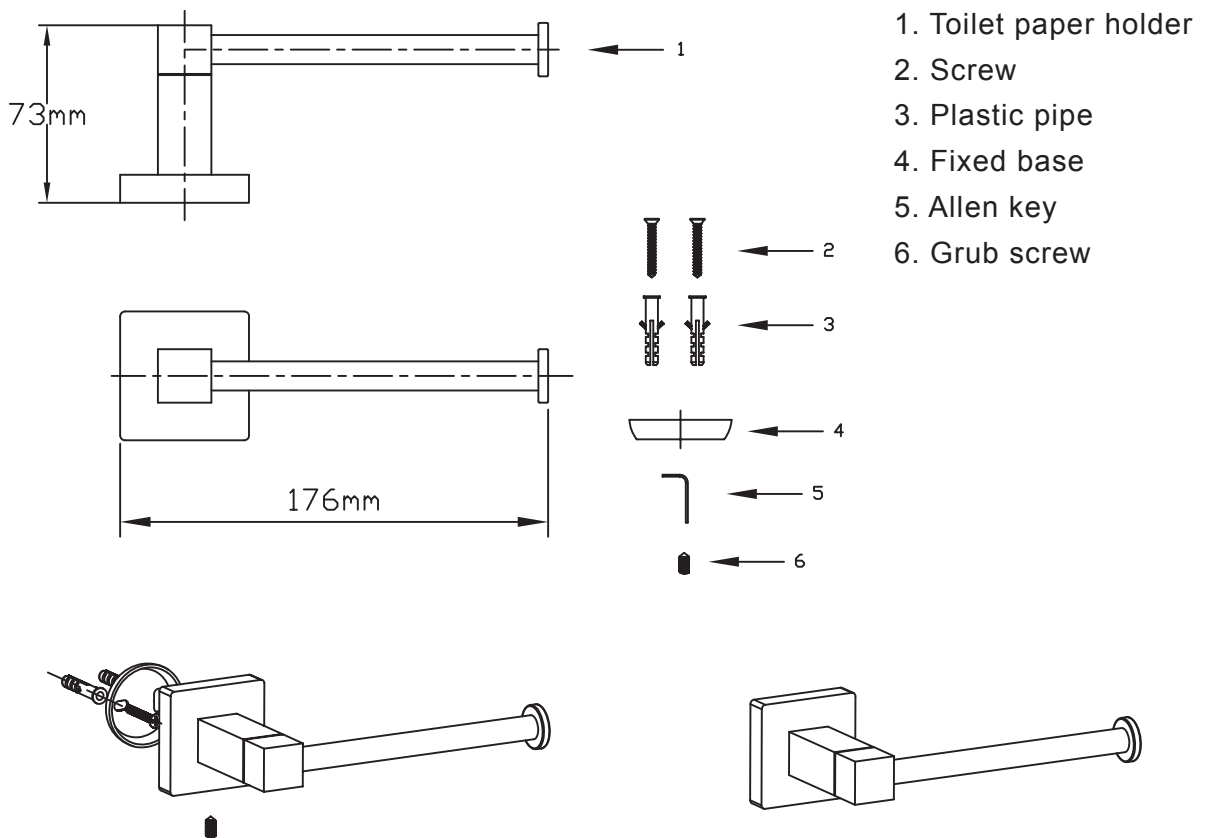


# Installation instructions



Thank you for purchasing this Victorian Plumbing product. Please follow these care instructions to ensure your product retains its high quality finish  
**- and retain this leaflet for future reference.**

1. Identify all components are present prior to installation
2. Place the fixed base(4) in the position predetermined for mounting and mark the position of screw hole
3. Drill the hole where marked and put plastic pipe(3) into hole
4. Install the fixed base(4) and screw (2) firmly
5. Place the toilet paper holder(1)in the fixed base(4)and secure with the grub screw using the allen key



Victorian Plumbing

Diamond House. 41, Stephenson Way. Formby Business Park Formby. England. L37 8EG

Tel: 0044 800 862 0878

Website: [www.victorianplumbing.co.uk](http://www.victorianplumbing.co.uk)