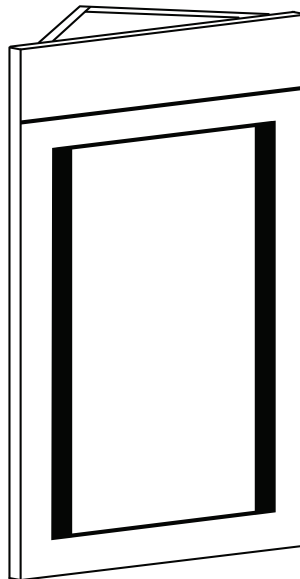


HiB

MAKING
BATHROOMS
BEAUTIFUL

LED Back-Lit Cabinets



Minnesota
Art No. 9102100

Thank you for purchasing this HiB product.

Please read through these instructions carefully and refer back to them during installation to ensure that your product is fitted safely and that it retains its high quality finish.

Please retain this leaflet for future reference.

Before drilling, ensure there are no hidden cables or pipes in the wall.

Please Note You may need to remove the door to aid installation. This can be done by unclipping the hinges (There is a release catch at the back of the hinge).

Fitting Instructions

1. Position the cabinet in a suitable location, (according to Fig. 4 on the back page), ensuring that the domestic electrical mains supply is within reach of the electrical connection point of the cabinet. Carefully mark the position of the top of the cabinet using a soft pencil.
2. Remove the cabinet from the wall and using a spirit level, mark the position of the two mounting points (Fig. 1).
3. **Before drilling, ensure there are no hidden cables or pipes behind the mounting points.** Drill the required holes in the marked positions. If drilling through tile, use a ceramic drill bit. Insert the wall plugs level with the surface of the wall. If fitting to a tiled surface, wall plugs should be inserted below the tile surface to avoid cracking. *NB. For plasterboard walls, specialist fixings should be purchased, available from any DIY or hardware store.*
4. This cabinet is provided with an electrical supply cable already fitted. This cable should be connected to the household electrical circuit, and connections should be made in accordance with the latest IEE regulations. This is a Class II product and does not require an earth connection. **Ensure the domestic electrical mains supply to which the product is being connected is turned off.** Connect the domestic mains supply (See Fig. 5 on the back page).
5. Reposition the cabinet into the corner ensuring the fixing holes line up with the wall plugs. Screw the cabinet to the wall using the two screws provided (Fig. 2).

6. Switch the electrical mains supply back on.
7. The hinge can be adjusted in order to reposition the door correctly. See Fig. 3 - A, B and C for further information.

Operating Instructions

To turn illumination on or off, use the rocker switch located inside at the top of the cabinet.

Care Instructions

To preserve the high quality finish of your HiB product, please ensure you regard the following care and cleaning recommendations:

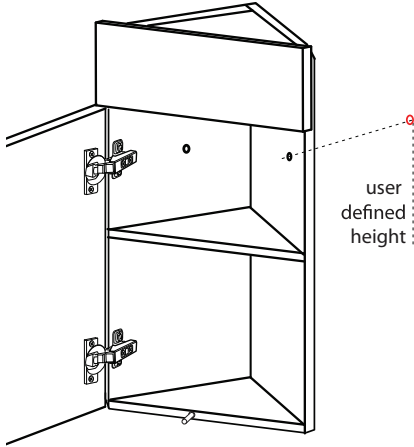
1. Wipe off all water spillages as soon as possible
2. Mirrors and glass can be cleaned with a proprietary cleaner using a soft cloth, taking care not to get excessive cleaner behind the mirror
3. All other surfaces should be cleaned with diluted detergent, i.e. washing up liquid, and a soft cloth. Scourers and scouring agents should not be used, as these may cause damage to the surface of the product



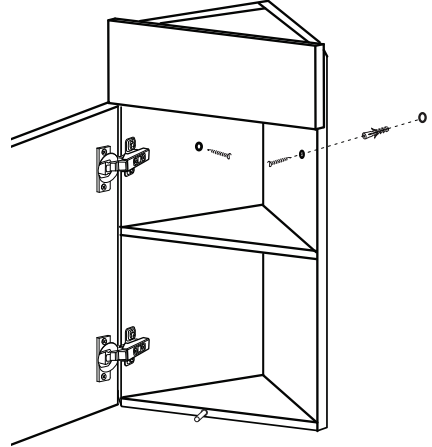
WEEE compliance

Must not be mixed with general household waste

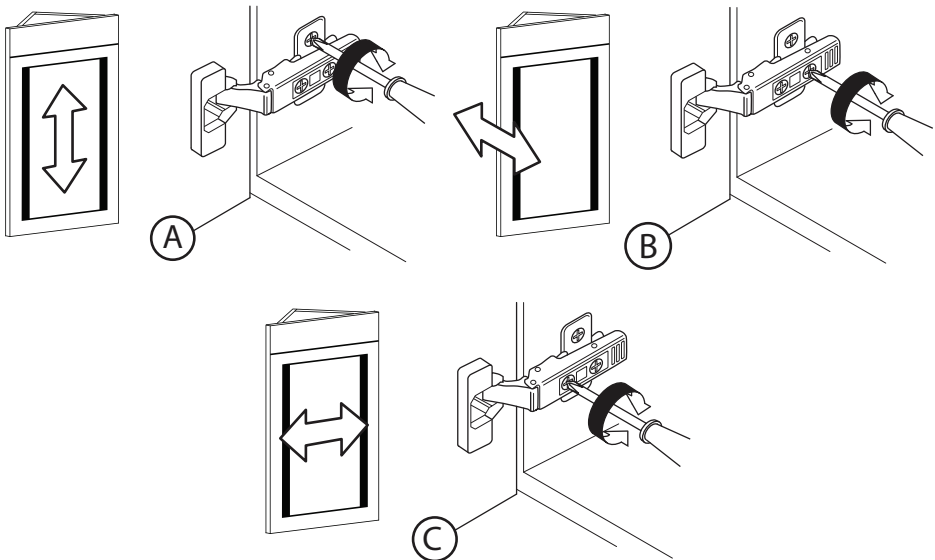
Fixing Preparation (Fig. 1)



Wall Mounting (Fig. 2)



Door Adjustment (Fig. 3)

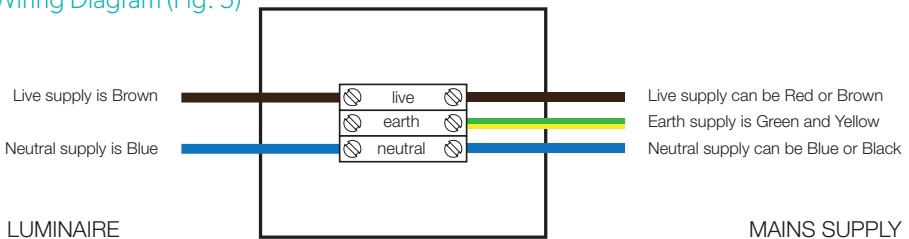




This product is IP21 - suitable for installation in zones: 2 & Outside Zone (Fig 4)

All installations must comply with guidelines which are based on a zonal concept. The diagram above illustrates this concept and must be followed to ensure the safe installation of electrical appliances in the bathroom. These regulations apply to domestic installations only. Installations must be made in accordance with the current IEE wiring regulations and relevant building regulations. HiB recommends that all electrical bathroom products should only be fitted by a suitably qualified, Part P registered electrician.

Wiring Diagram (Fig. 5)



Electrical Safety Information

HiB recommends that all electrical bathroom products should only be fitted by a suitably qualified, Part P registered electrician in accordance with current IEE regulations. Ensure mains power supply is switched off before starting installation. Before drilling, ensure there are no hidden cables or pipes in the wall.

Aftercare Service

In the unlikely event that this product should fail please contact HiB customer services, contact details shown below.

T: +44 (0)20 8441 0352 F: +44 (0)20 8441 0219 E: sales@hib.co.uk hib.co.uk

Building 3, North London Business Park, Oakleigh Road South, New Southgate, London. N11 1GN

©HiB Copyright: No part of this document may be reprinted or duplicated without HiB consent. All sizes and measurements are approximate, but we do try and make sure they are as accurate as possible. In the interest of continuous product development, HiB reserves the right to alter specifications as necessary. E & OE.