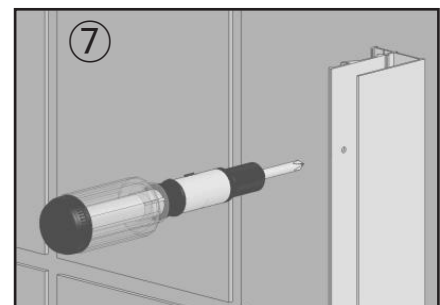
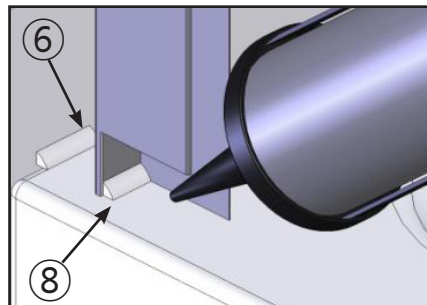
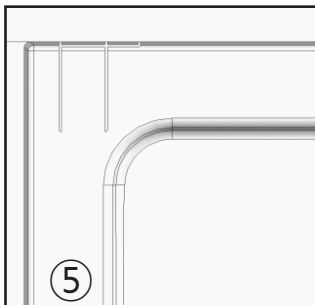
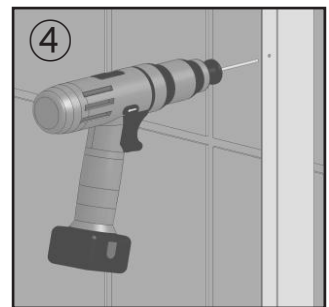
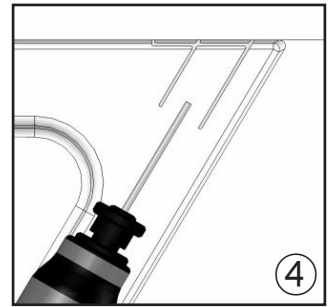
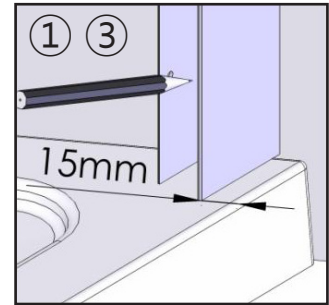
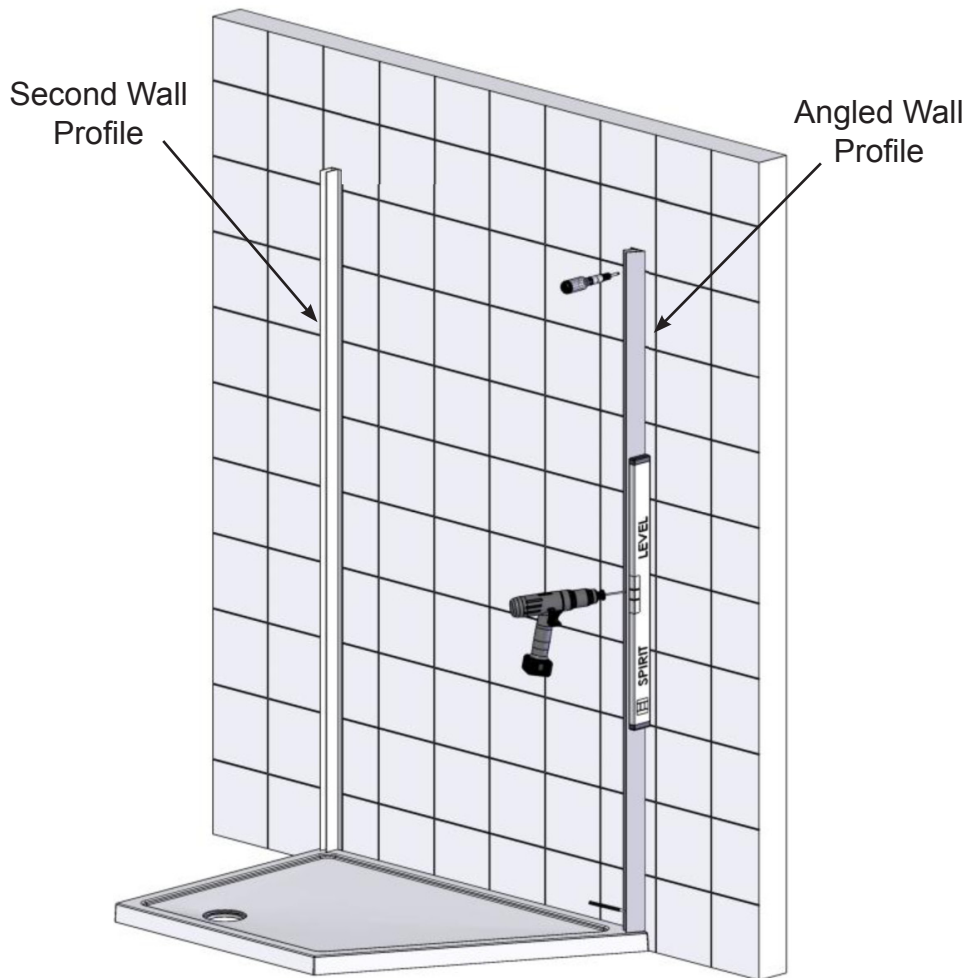


EAF - Wall Profile Installation

This must be fitted in accordance to the relevant Door and Panel Instructions (Images are for illustration only)



1. Place the angled wall profile 15mm in from the outside edge of the tray.
2. Make sure the wall profile is completely vertical using a spirit level.
3. Using a pencil, mark the positions for the drill holes through the slots in the U section of the wall profile.
4. Drill the holes with a 6mm masonry drill (not supplied), push the wall plugs (supplied) into the drilled holes.
 - **IMPORTANT: The drill holes need to be drilled at the same angle as the tray.**
 - **Drill the bottom hole first using the tray as a guide, this will give you a feel for the angle required for the other 2 holes.**
5. For positioning of the second wall profile follow steps 1 to 4 with the exception of drilling the holes at an angle.
6. For both wall profiles apply a bead of sealant the width of the wall profile at the bottom where the tray meets the wall.
7. Screw fix the wall profiles using the 40mm screws (supplied) making sure they are vertical.
8. Apply a bead of sealant to the inside of both wall profiles at the bottom where they meet the top of the tray.
9. Please refer back to the Door and Panel Instructions to complete the installation.
 - **IMPORTANT: The wall profiles must be completely vertical (the bubble must be in the centre of the 2 lines on the spirit level). The sealant must be applied in Steps 6 and 8, failure to follow this procedure may result in serious water damage and is not covered under the terms of the guarantee.**