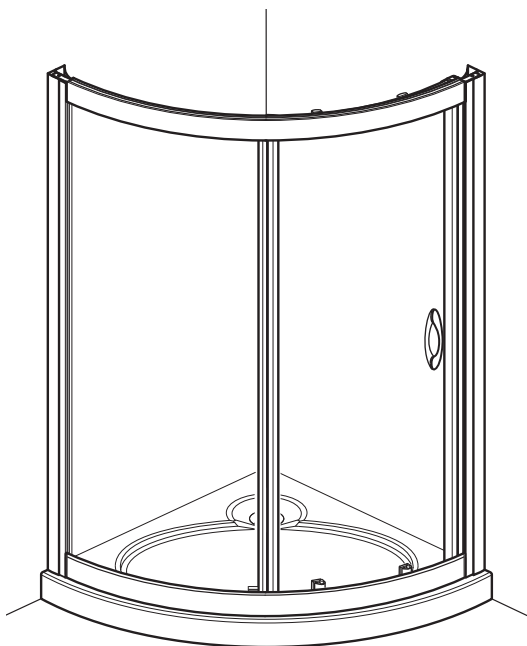
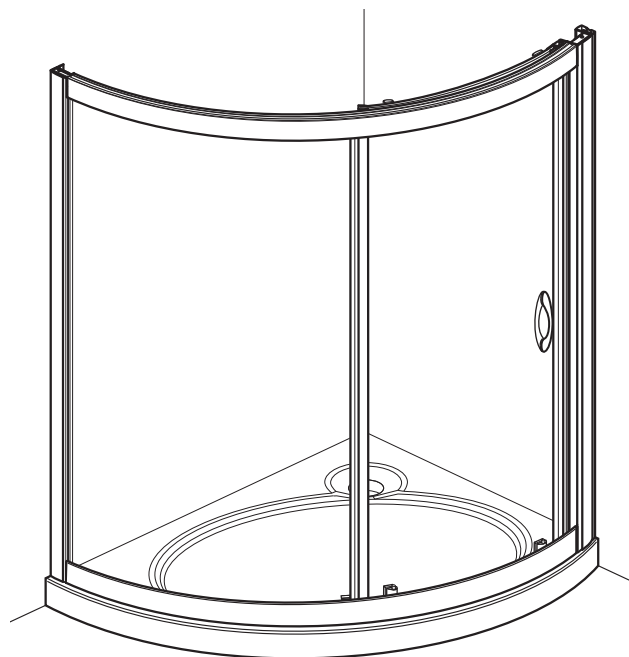


# PREMIER CRESCENT



850 & 950 Crescent



1200 Crescent

***Please read these instructions carefully and keep for future reference.  
Incorrect fitting will invalidate the guarantee.***

## SAFETY

- Handle glass with great care.  
Although the glass is very tough, sharp impacts can damage both the glass and metal frame.
- Make sure there are no hidden pipes or cables hidden in the wall where you intend to drill.
- Wear safety goggles, shoes and appropriate clothing.

## BEFORE INSTALLATION

- Check that the shower tray is level in all directions. The enclosure will not sit correctly on an uneven surface. If uneven, the wall channels may not fit and the doors may not shut correctly.
- The enclosure should be fitted on tiled walls which are sealed with waterproof grout.
- There must be a good silicone seal between the rim of the shower tray and the wall.
- The shower tray and the enclosure must match in size. Attempting to fit the incorrect size of enclosure to the shower tray will result in water leaks.
- Always check very carefully that components are vertical.
- To avoid damage, use the opened out packaging to build the enclosure on.

### **Equipment needed:**

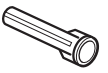

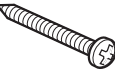
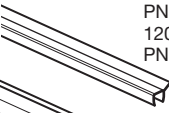







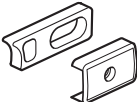

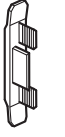



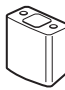


Drill, 6.5mm Masonry Bit, 4.5mm & 3mm Metal Bits (general), Crosshead Screwdriver, 16mm Spanner, Spirit Level, Pencil, Tape Measure, Masking Tape, Silicone Sealant.

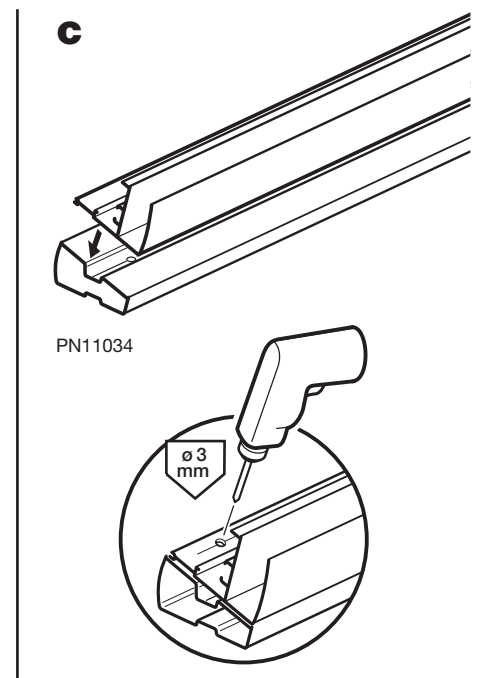
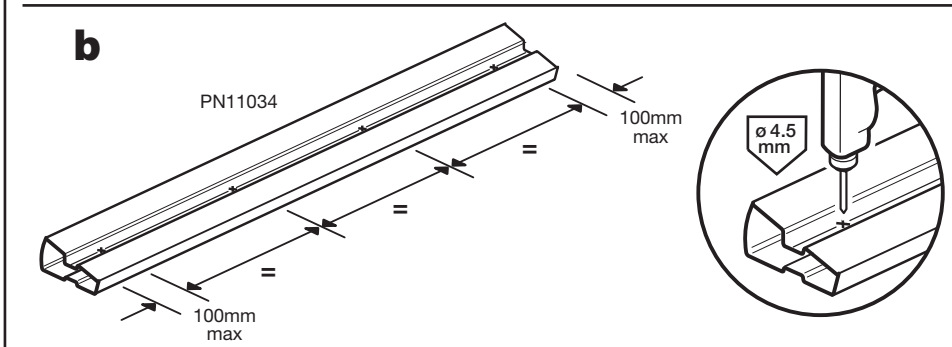
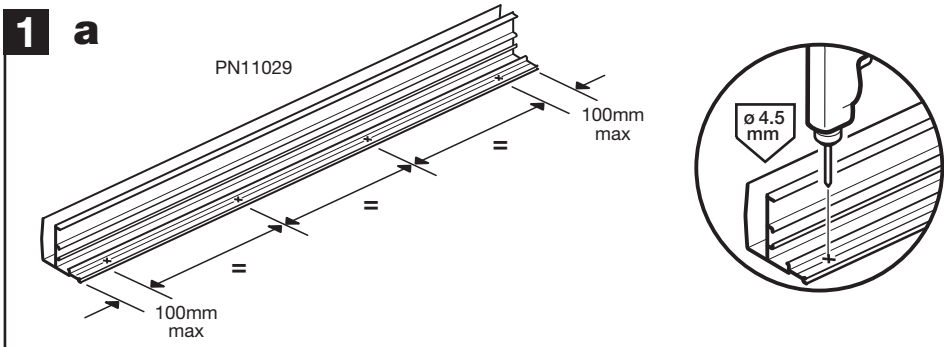
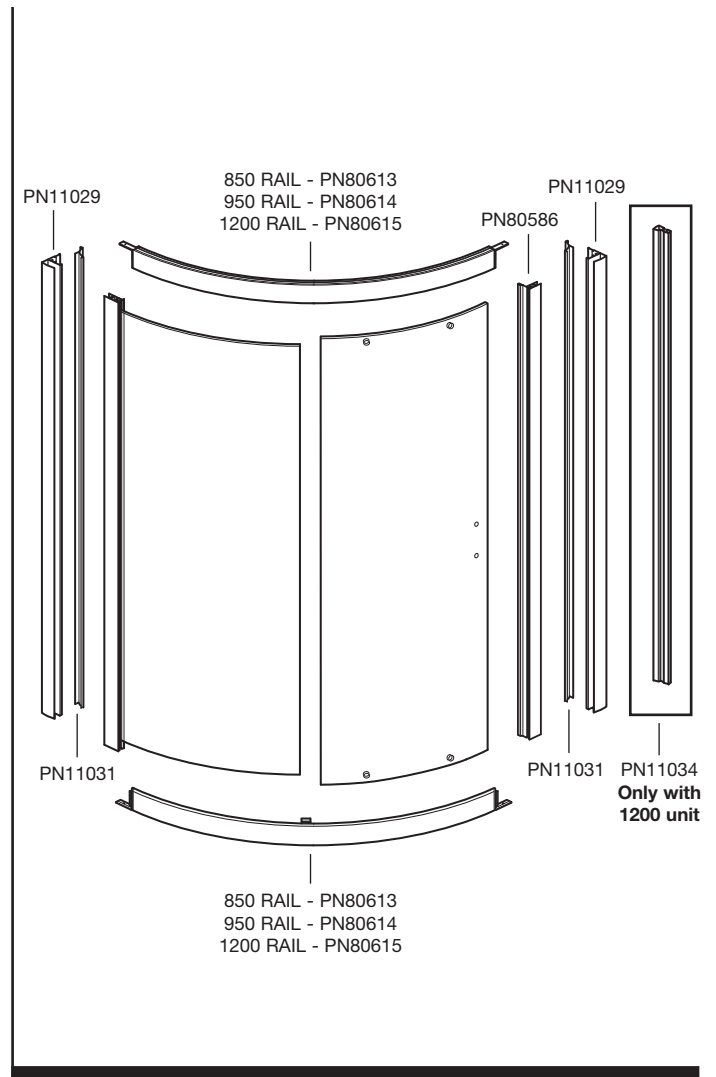
**Note:** The screws and wall plugs supplied are for masonry walls. For lightweight walls i.e. stud partition, plasterboard etc, use the correct type of fixings.

**CUSTOMER CARELINE 01746 713410**

Check contents of pack before installation. If anything is missing, contact our Customer Careline for assistance.

**CUSTOMER CARELINE: 01746 713410**

	PN3230	8		PN60220	1
	PN3225	8		900 = PN40264	2
32mm				950 = PN40265	
PN60014	2	1200 = PN40266			
	PN60014	2		PN40308	1
13mm				PN40258	1
	PN60093	2		PN40275	1
12mm				PN40010	1
	PN3222	8/12		PN50366	2/2
10mm				PN50365	
	PN50359	6		PN4745	2
	PN50370	2		PN60162	1
	PN80618	2			
	PN80594	2			
	PN80595	2			

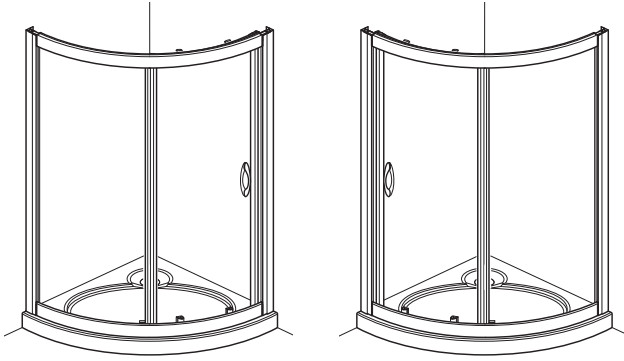
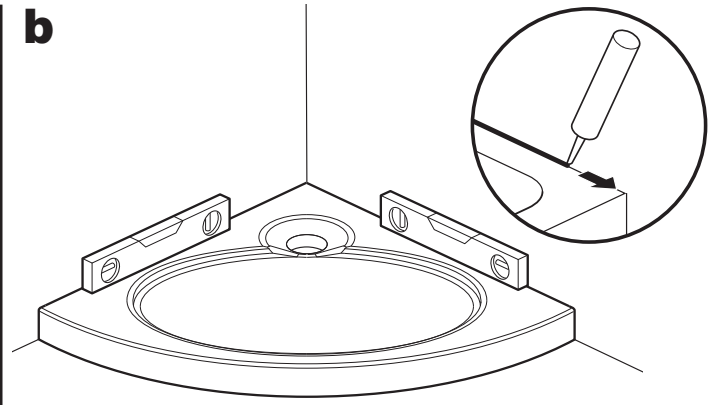


**a:** Drill holes in both wall channels at the points shown (in the groove) using a 4.5mm drill bit. **For 850 and 950 Units, now proceed to step 2.**

**b: (1200 Unit Only)** Drill holes in the angled profile (PN11034) at the points shown using a 4.5mm drill bit.

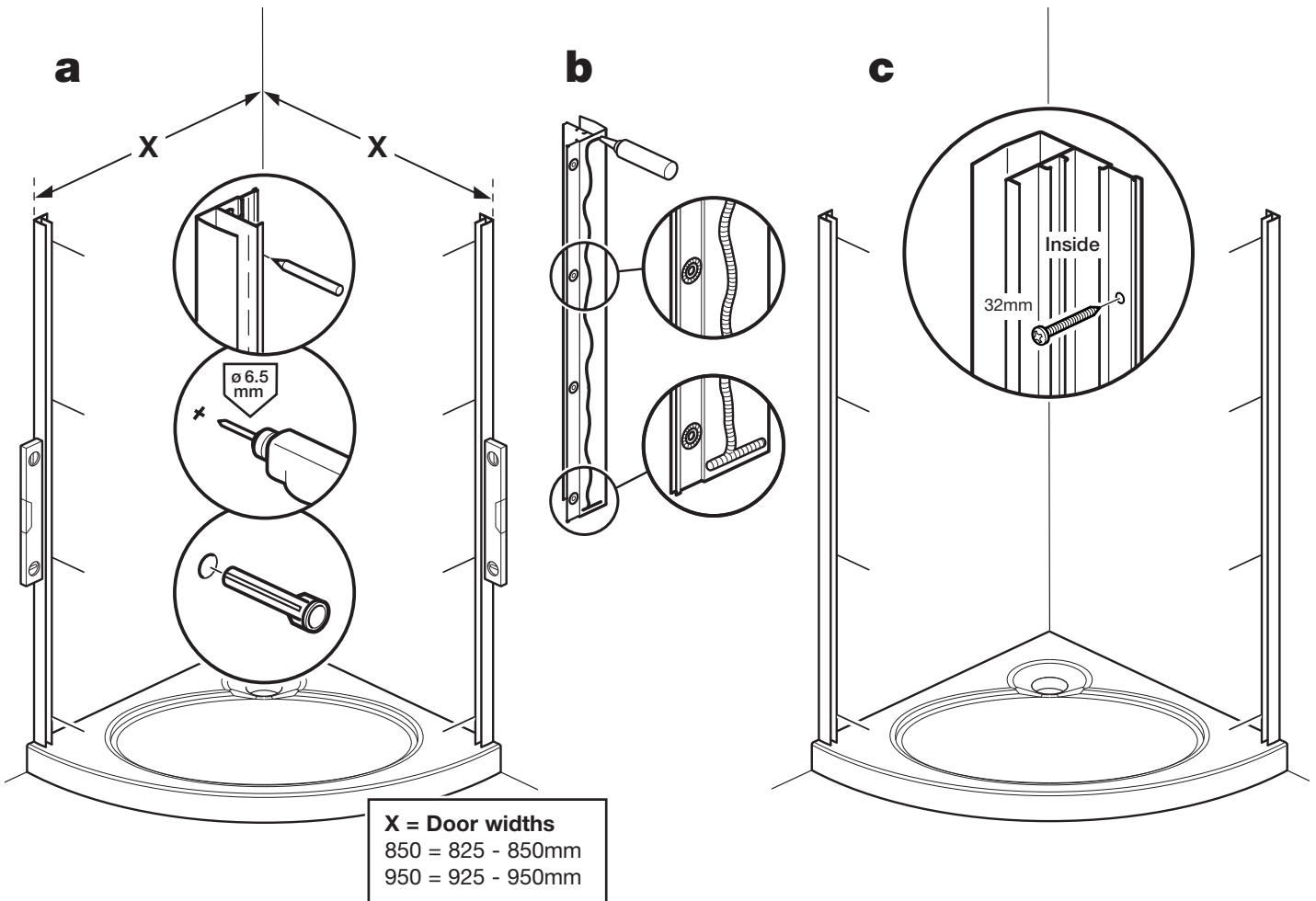
**c: (1200 Unit Only)** Place a wall channel on the angled profile, **note the orientation of the profile**. Mark and drill through the holes in the wall channel into the profile using a **3mm drill bit**.

**IMPORTANT:** Ensure the wall channel you use as a template is the same one that will fix to that angled profile in step 4.

**2 a****b**

**a:** The enclosure can be assembled with the door on either the right or left side (see step 9). **Note:** The following instructions show the enclosure with the door on the right hand side.

**b:** Ensure the shower tray is level in all directions. **IMPORTANT:** Clean the tray and seal the gap between the tray surface and tiles. It is important that the tray is sealed right up to the tray edge so that the bottom of the wall channel is sealed. Failure to do this will cause water to leak under the wall channel and between the tray and tiles, resulting in damp patches on the wall and under the tray.

**3****850 and 950 Units Only**

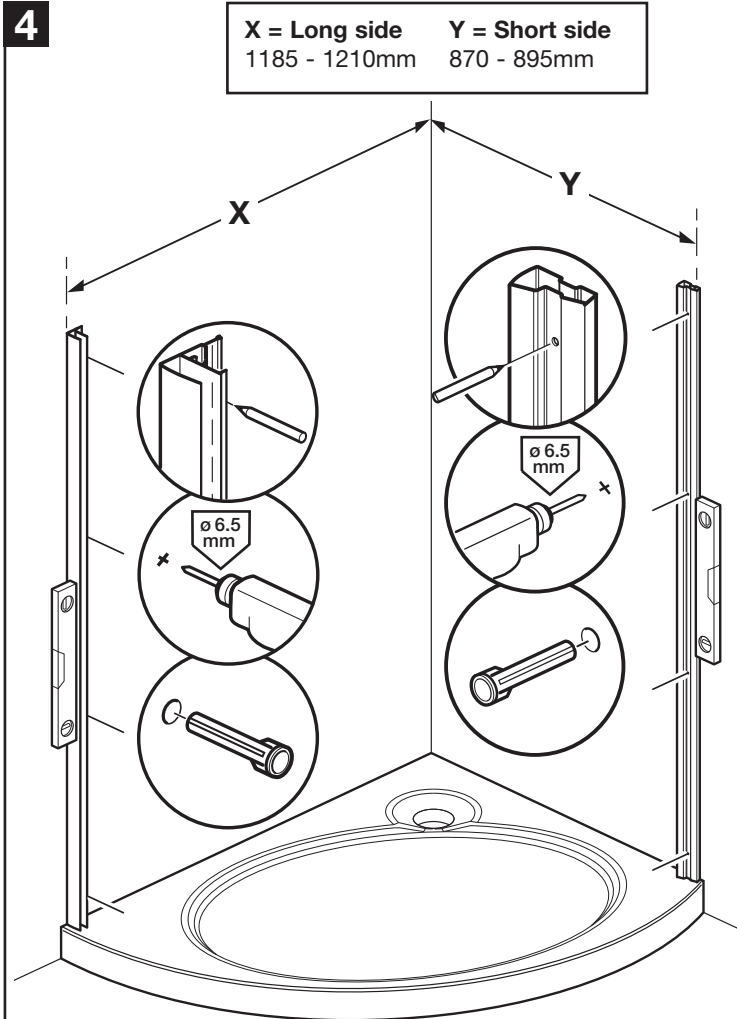
**To install 1200 Units, follow steps 4, 5 and 6.**

**a:** Place the wall channels on the tray ensuring they are vertical and an equal distance back from the front of the tray. Place masking tape against the wall before marking drill hole positions, this will help prevent the drill bit slipping. Drill 6.5mm holes, 30mm deep and insert the wall plugs.

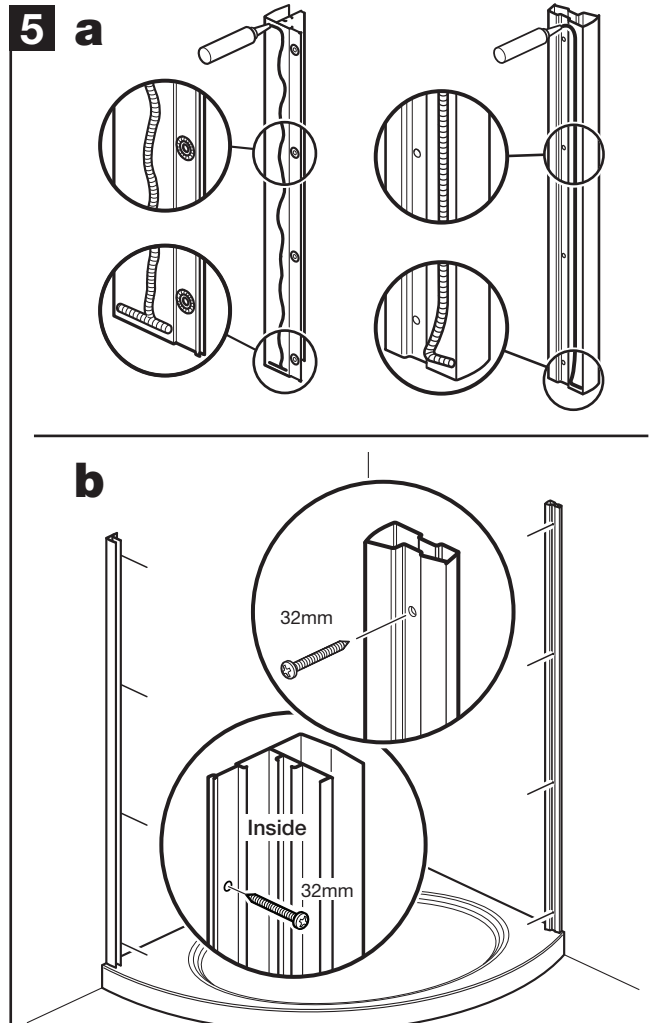
**b:** Apply sealant to the back of the wall channels and around the fixing holes.

**c:** Fix the wall channels to the walls using 8 x 32mm screws.

**Now proceed straight to step 7.**

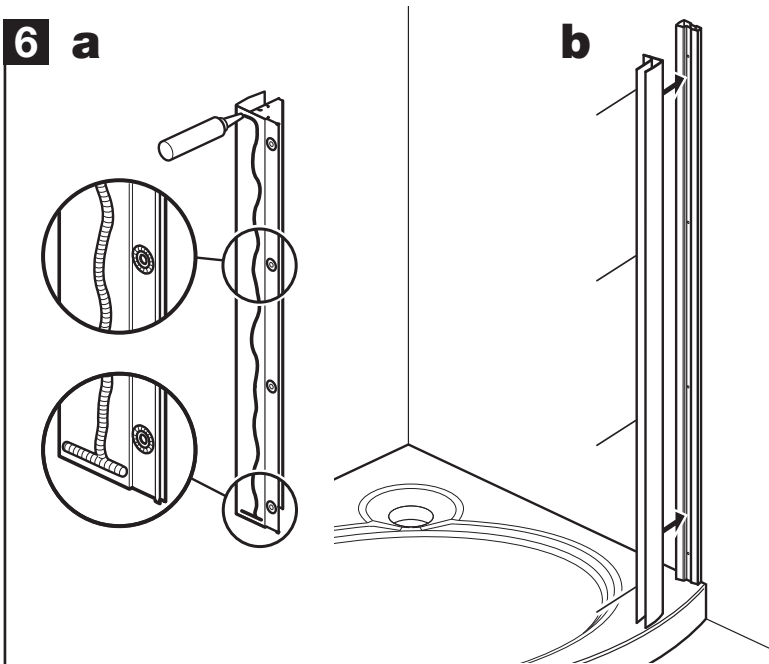


Place the wall channel and angled profile on the tray ensuring they are vertical and an equal distance back from the front of the tray. Place masking tape against the wall before marking drill hole positions, this will help prevent the drill bit slipping. Drill 6.5mm holes, 30mm deep and insert the wall plugs.



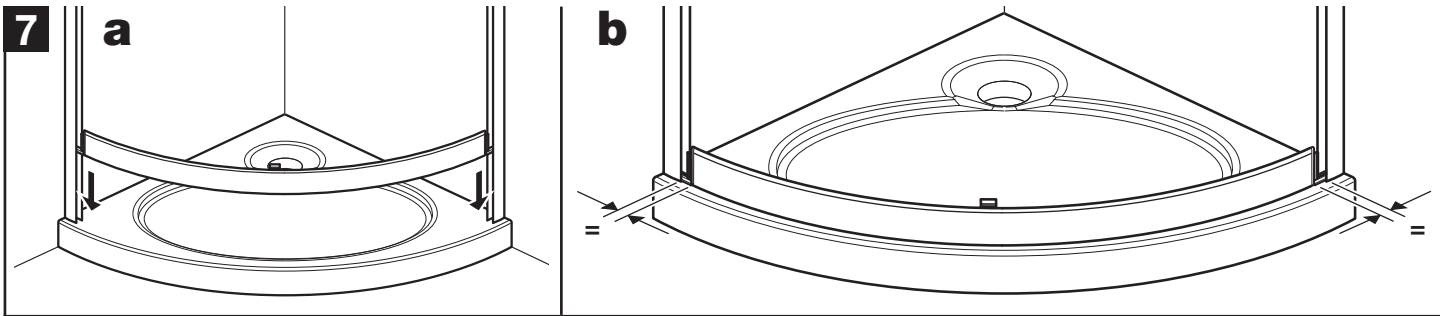
**a:** Apply sealant to the back of a wall channel and around the fixing holes (**not the one used as a template in step 1c**) and the angled profile.

**b:** Fix the wall channel and angled profile to the walls using 32mm screws.

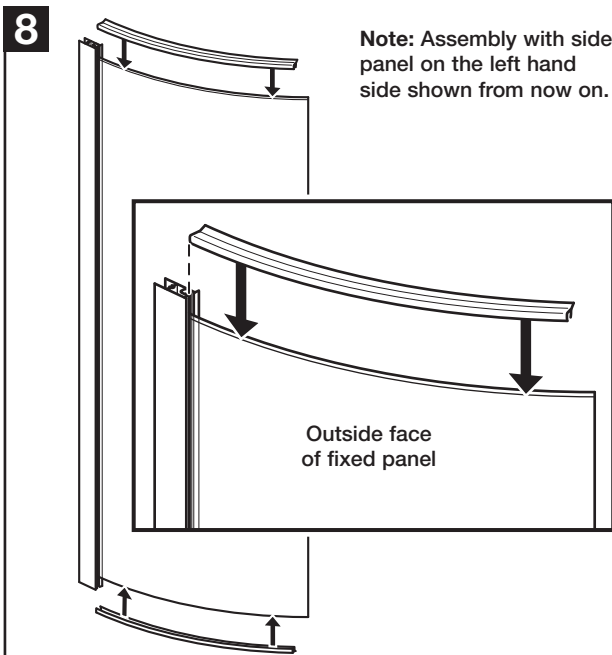


**a:** Apply sealant to the back of the wall channel that was used as a template in step 1c.

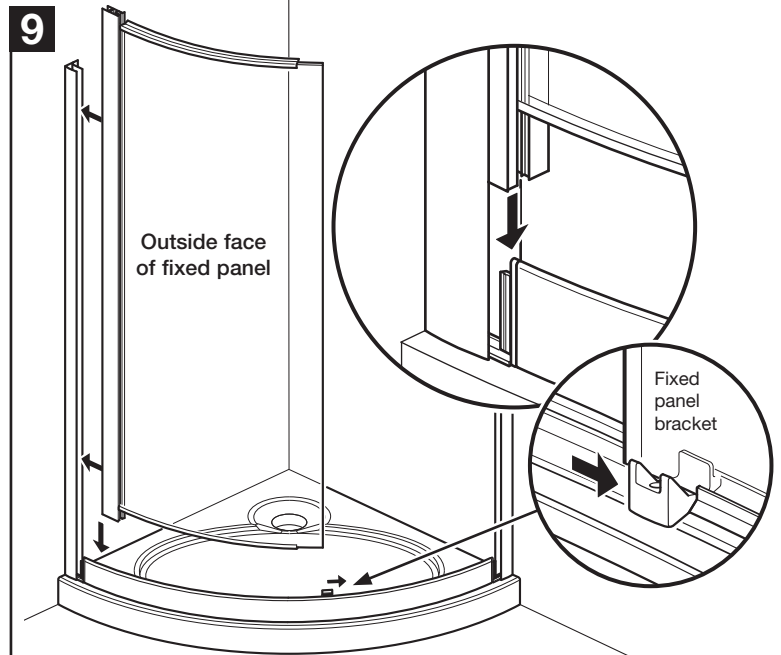
**b:** Fix the wall channel to the angled profile using 4 x 10mm screws.



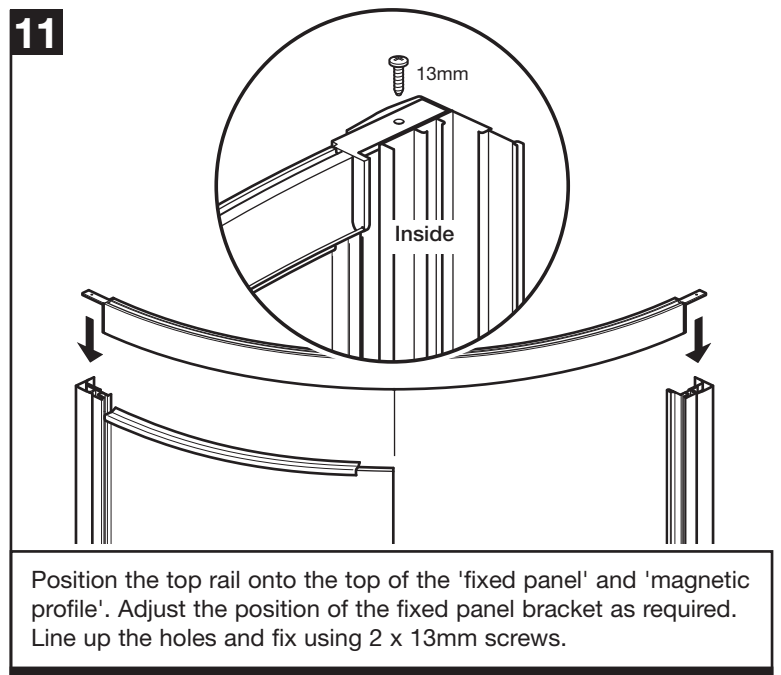
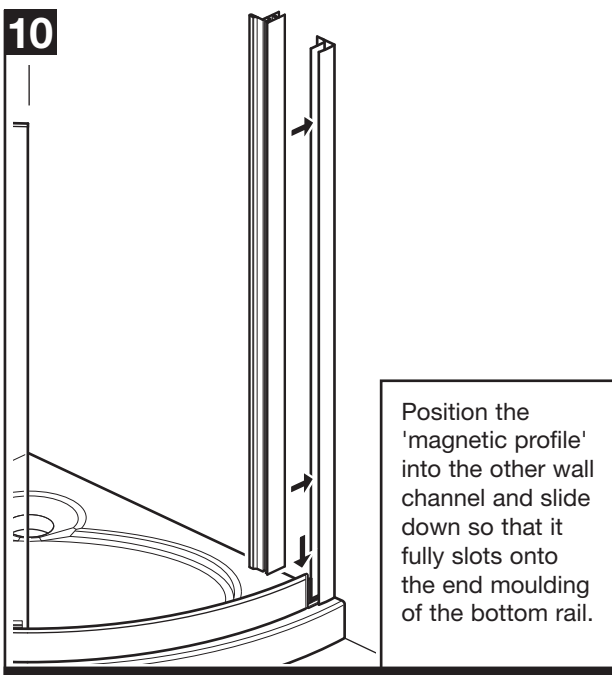
**a:** Place the bottom rail onto the tray with its end mouldings inserted into the wall channels. **b:** Centre the bottom rail between the wall channels so that there is an equal gap at each end.



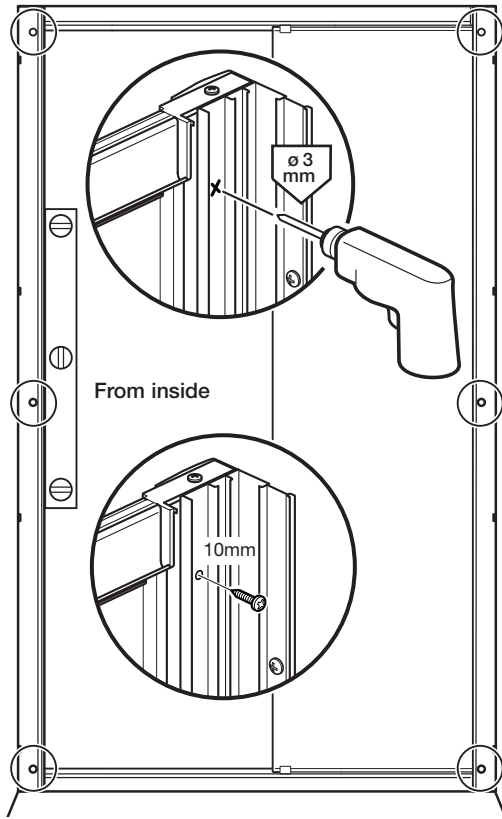
Push fit the 'short flipper seals' onto the top and bottom edges of the fixed panel - flush against the metal profile. **Ensure the flipper seal 'flaps' are on the inside of the fixed panel.** Note: Wetting the glass with water will help fit the seals.



Position the fixed panel into the required wall channel and slide down so that it fully slots onto the end moulding of the bottom rail. Inside the enclosure, ensure the panel sits in the 'fixed panel bracket', slide the fixed panel bracket along the rail and position under the panel as shown.



12

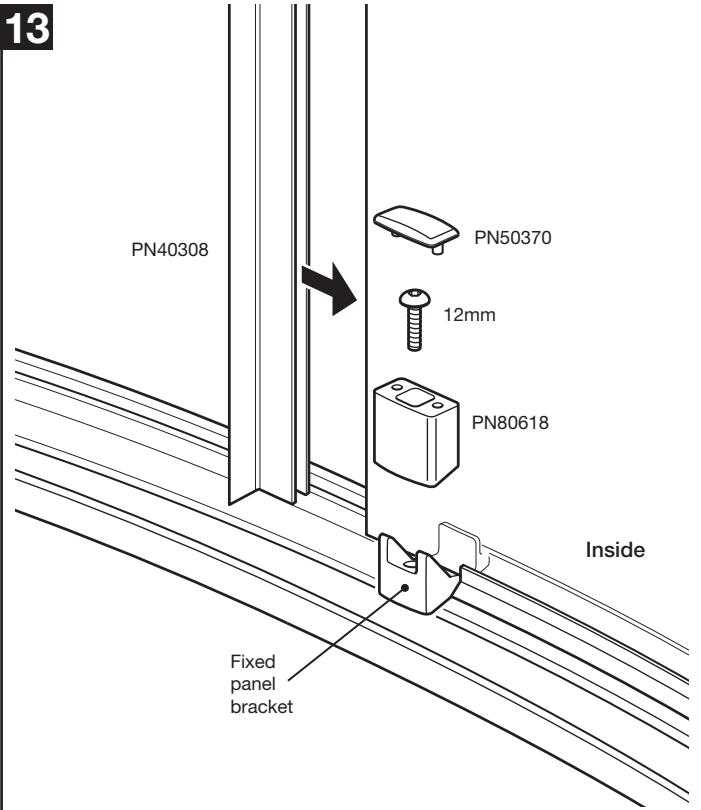


Check the door frame is vertical and is centrally positioned between the wall channels.

From inside the enclosure, in the positions shown, drill through the wall channels into the fixed panel and magnetic profile using a 3mm drill bit, **do not drill too deep!**

Fix using 6 x 10mm screws.

13



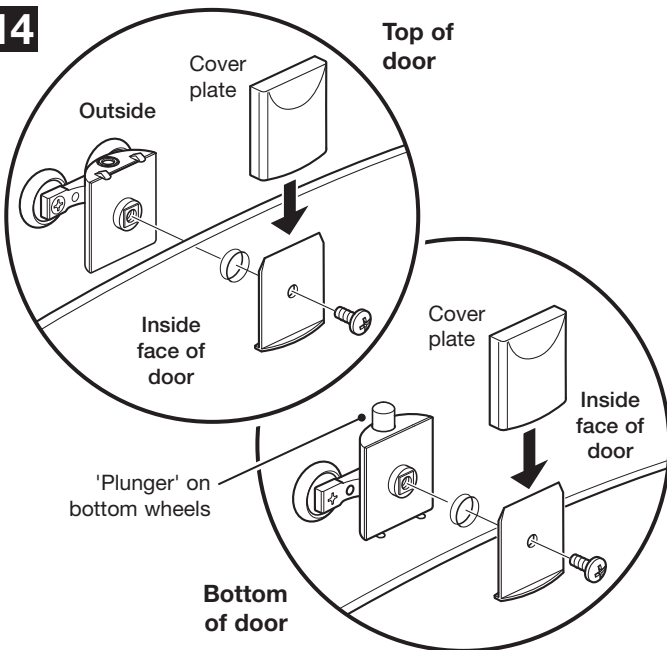
Fit 'flipper seal' (PN40308) onto the edge of the fixed panel. **Ensure the flipper seal 'flap' is on the inside.**

**Note:** Wetting the glass with water will help to fit the seal.

From inside the enclosure, place fixed panel retainer covers (PN80618) onto the top and bottom fixed panel brackets.

Fix using the 12mm screws and fit the retainer caps (PN50370).

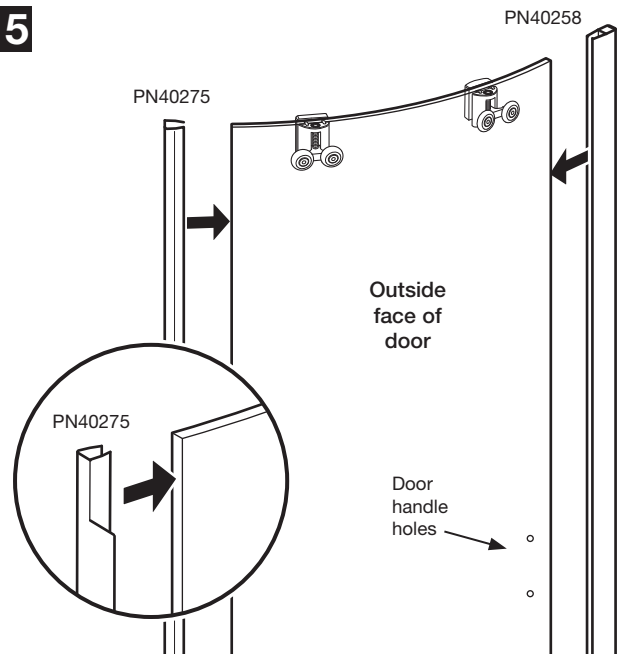
14



Remove the cover plates and dismantle the wheel assemblies. Attach to the top and bottom of the door as shown, ensuring that the wheels with the 'plungers' fit to the bottom of the door. **IMPORTANT:** Ensure the wheels are attached to the outer face of the curved door.

**Note:** If the door is fitting to the right side of the enclosure, the door handle holes must be on the right side of the door.

15

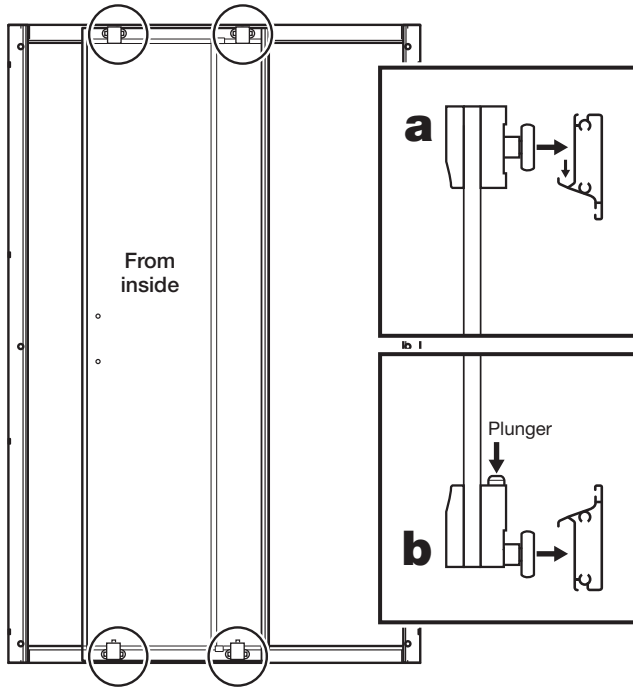


Push fit 'flipper seal' (PN40275) onto the back edge of the door. **Ensure the flipper seal 'flap' is on the outside of the door.**

Test the 'magnetic seal' (PN40258) against the 'magnetic profile' to ensure it is the correct way around. Push fit magnetic seal onto the closing edge of the door (the same side as door handle hole).

**Note:** Wetting the glass with water will help to fit the seals.

16

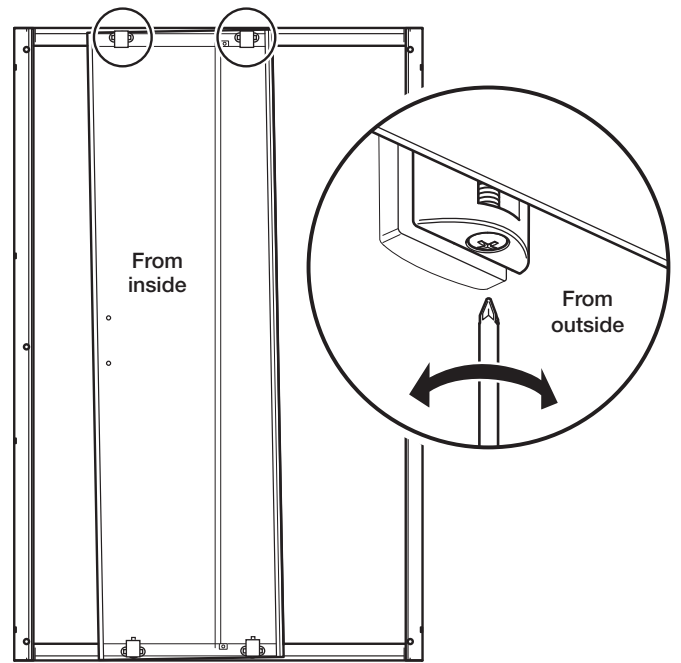


It is advised that this stage is carried out by two people to avoid damaging the runners, rails or door.

**a:** From inside the enclosure, hang the top 'door rollers' onto the top rail 'runner'.

**b:** From outside (with the door closed) depress both 'plungers' on the bottom 'door rollers' and position under the bottom rail 'runner' and release the 'plungers'.

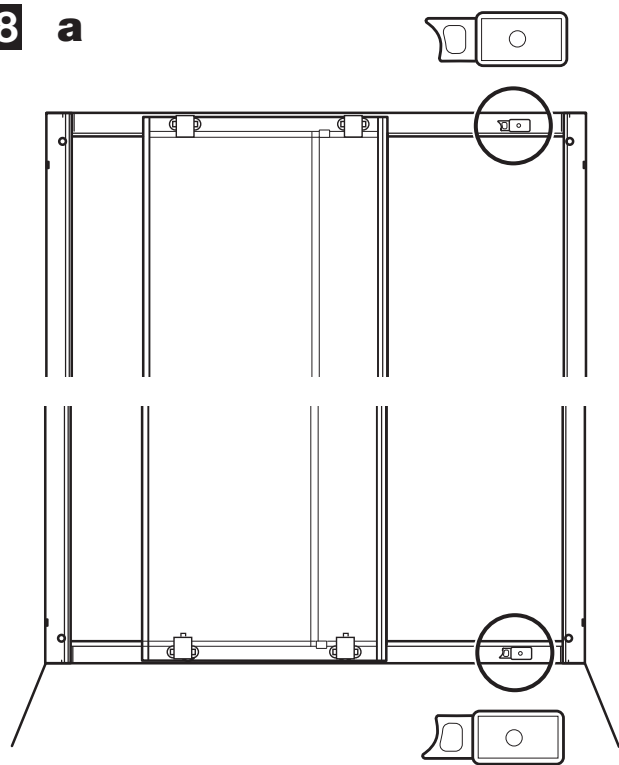
17



The 'wheels' at the top of the door may need adjusting so that the door slides freely and the magnetic seal is flush against the magnetic profile when the door is closed.

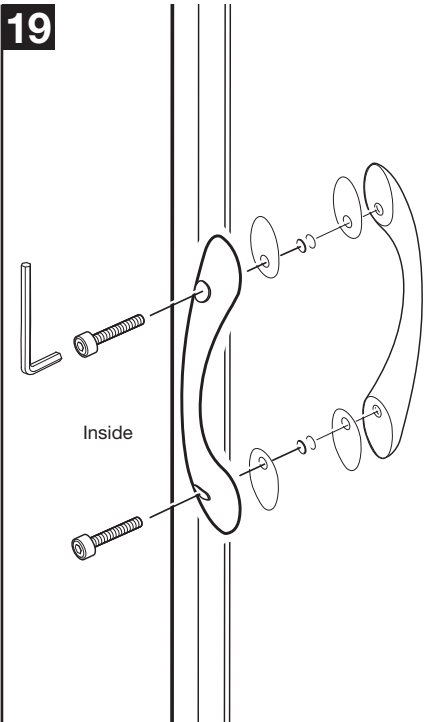
From outside the enclosure, turn the adjuster screw under each of the top wheels as shown until the door hangs vertically.

18

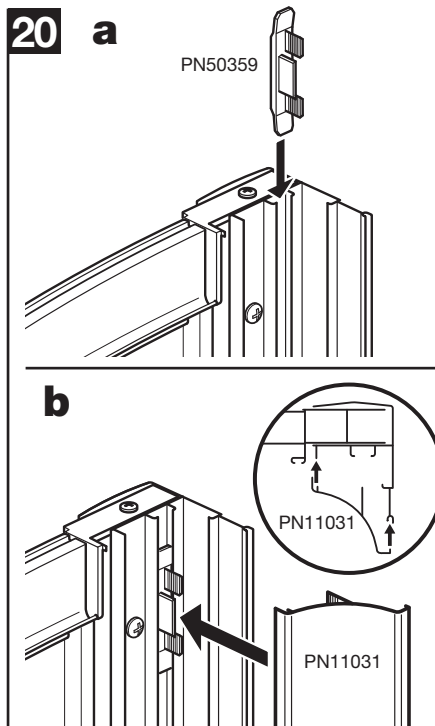


**a:** Attach the bump stops to the top and bottom rails where shown. **Note:** The top and bottom 'bumpers' (PN50366) fit the opposite way around as shown. **b:** Attach the bump stops as shown using the 10mm screws.

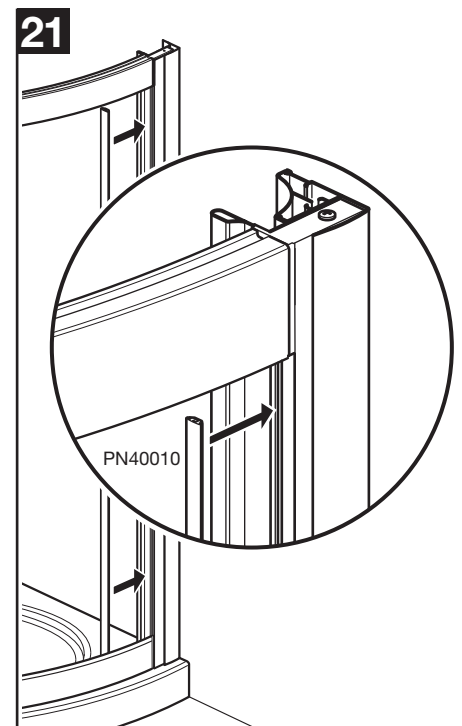
**c:** Check that the door hits both bumpers at the same time. To adjust the bumpers, loosen the screw and move the 'rubber' bumper as required then re-tighten. Push fit the cover caps (PN4745).



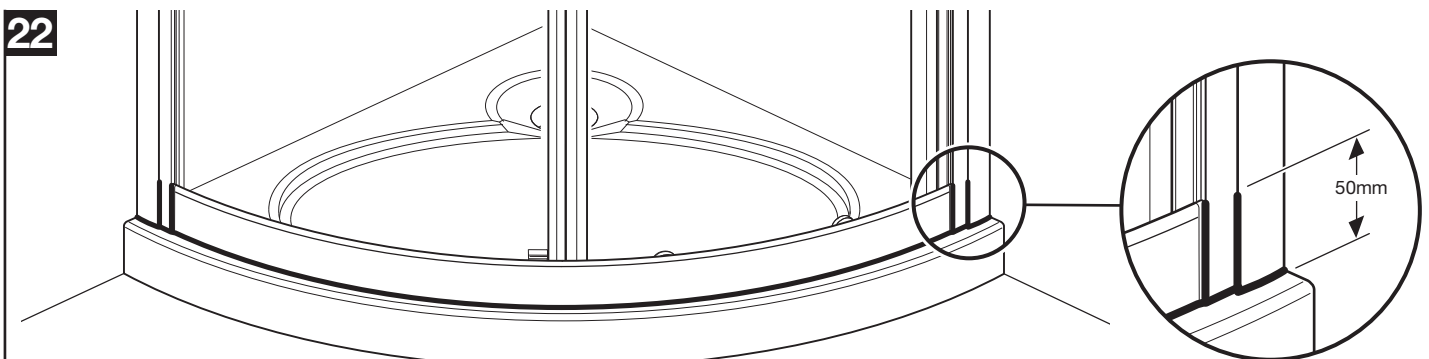
Fit the door handles to the door with the allen bolts on the inside of the door.  
Ensure the rubber washers are placed between the handles and the glass. **Do not over tighten.**



**a:** Insert 3 wall channel clips (PN50359) down the slot in each wall channel and space out equally down their length.  
**b:** Push fit the wall channel cover strips (PN11031) onto the wall channels as shown.



Push fit the 'magnetic profile seal' (PN40010) into the channel in the 'magnetic profile'.  
**Note:** The seal may need trimming to length. **Note:** Wetting the seal with water will help to fit the seal.



**From the outside only**, apply sealant to the bottom of the enclosure and 50mm up the wall channels and vertical joints as shown.

### Recycling

**Packaging:-** The cardboard and polythene parts of this packaging can be recycled.

**End of life:-** This product contains materials such as aluminium and glass which can be recycled.

Please contact your local authority to find your nearest recycling centre.

**IMPORTANT:** You must not use the shower for 24 hours after installation of the enclosure.

**DO NOT** use bleach, scouring powders, solvents or other aggressive cleaning agents. To clean, use warm soapy water and a clean cloth and rinse off.

**Please note:** There has been a glass coating applied to this product, use a squeegee to remove water and debris. Periodically check all fixings and tighten if necessary.

### CORAM SHOWERS LTD

Stanmore Industrial Estate, Bridgnorth, Shropshire WV15 5HP, UK • Tel: 01746 766466 • Fax: 01746 764140 • www.coram.co.uk