

Mini Fixed Bath Screen

Instruction Manual

V8CC1/ V8CC2



IMPORTANT INFORMATION

- Toughened glass is completely safe for use in our shower enclosures and bath screens; providing our products are installed according to our guidelines.
- It is important to note that the glass must not be mounted or 'pinched' in such a way that would cause a stress point to develop in the glass. In addition, it must not be subject to any sharp impact or severe temperature fluctuation which may also cause a stress point to develop in the glass.
- Toughened glass is physically and thermally significantly stronger than standard glass. During the toughening process the stresses contained within any glass are balanced so if in the unlikely event situation any of the above occurs and the glass breaks, the glass will shatter safely into small thumbnail sized blunt fragments.

PRE-INSTALLATION CHECKS

- Check you have the correct product. Please look at the labels on the side of the product packaging.
- Check all the product components are in the box and the fixing kits.
- Unpack your product and handle it with care.
- Please check the product for defects or damage, once the installation has commenced we cannot accept responsibility for any defects or damage.
- Please take time to read these instructions prior to installing your product.
- Before you commence any drilling check there are no hidden electrical cables and/or water pipes.
- No attempt should be made to re-work the toughened safety glass.
- The installation of the product should be performed by two persons.
- It is strongly recommended that the walls the product is going to be installed on are vertical.
- It is strongly recommended the product is fitted on a tiled surface or similar waterproof surface.
- It is strongly recommended the walls are tiled and grouted before the product is installed.
- If the walls and/or the tray are not level you will not achieve maximum adjustment of the product.
- Pictures used are for illustration purposes only, product designs may alter slightly as a result of continuing product development.
- We do not stipulate where the European Standard Kite Mark should be positioned on the glass when being factory assembled.
- Please note that some natural misting may occur when you remove this product from its packaging, due to the addition of the glass protection pre-coating. If this does occur this can easily be removed with a soft, dry cloth.

Component Check List: Supplied

Description	Quantity
V8CC113S	
Wall Profile	1
Bath Screen Glass	1
Top Cap	1
V8CC213S	
Wall Profile	1
Bath Screen Glass	1
Top Cap	1
Glass Clamp	1
Curved Rail Assembly	1

Equipment Check List: Not Supplied

Description
Electric / Battery Drill
6mm Masonry Drill
Bathroom Sealant Gun
Bathroom Sealant Tube
Screwdriver
Spirit Level
Tape Measure
Pencil
Wall Plugs (Plasterboard)

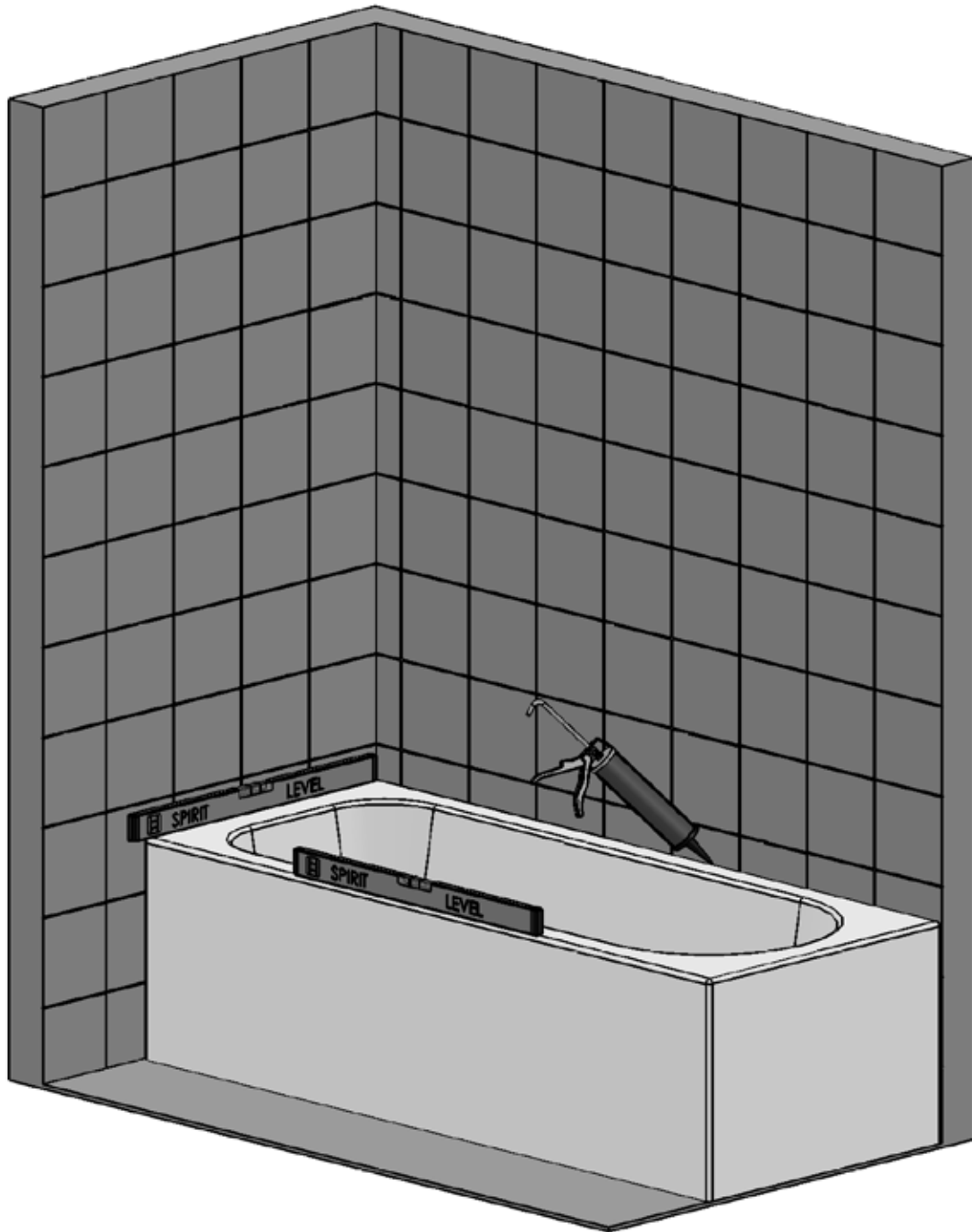
Fixing Kit Components

Description	Quantity
40mm Screws	3
Wall Plugs	3
Branding Badge (where applicable)	1

CONSUMER GUARANTEE

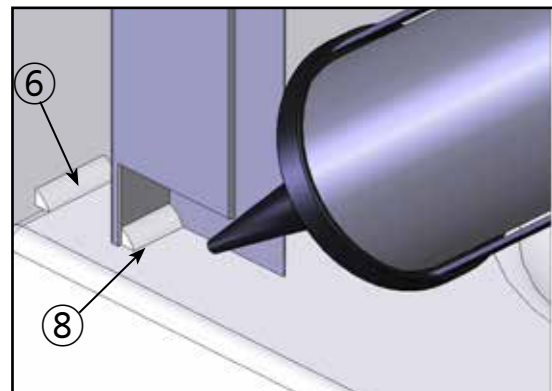
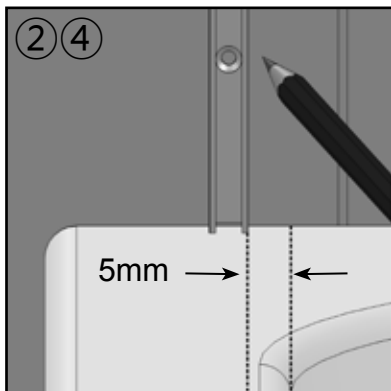
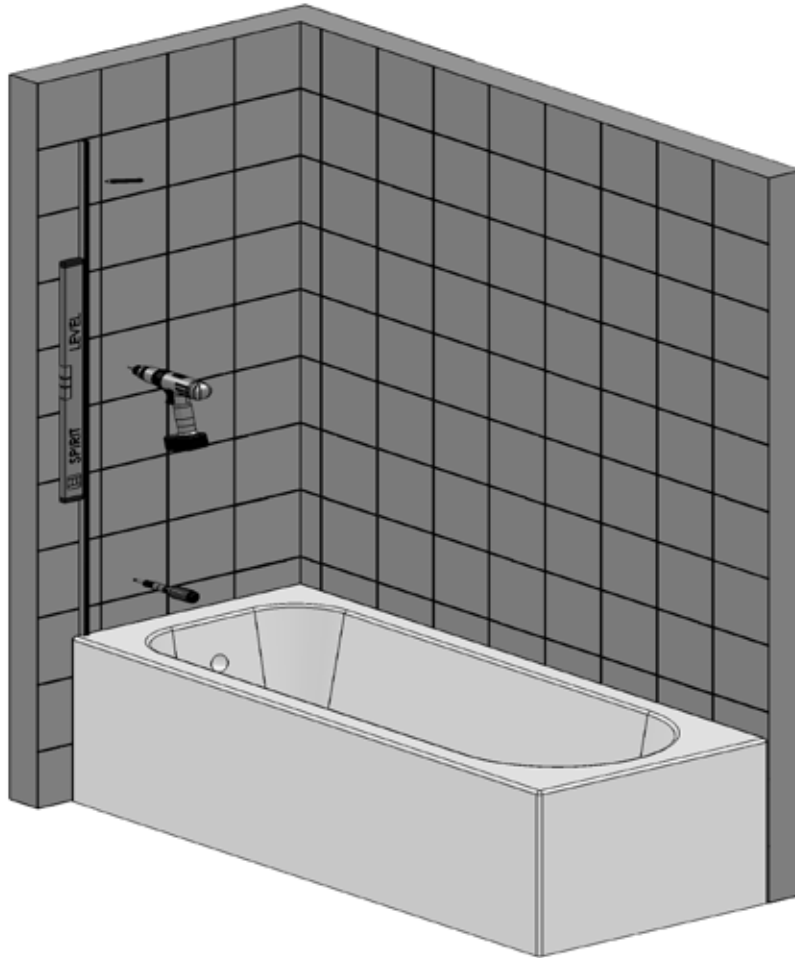
Please make sure the purchaser/end user completes and returns the guarantee card which is enclosed with this product. Failure to validate the Guarantee will mean only the 1 Year Statutory Guarantee will apply.

IMPORTANT PRE-INSTALLATION CHECKS



1. Ensure the bath is completely level.
 2. Check for any movement in the bath by standing in it.
 3. The walls should be tiled and grouted up to the bath.
 4. Fill the bath with water and check the plumbing for leaks.
 5. With the bath full of water, fully seal the bath along the tiled wall with a bathroom sealant (not supplied).
 6. With the water still in the bath leave the sealant to cure for at least 24 hours.
- **Spray the seal and joints with the shower head and check for leaks when the silicon has cured.**
 - **Check the plumbing for leaks.**
 - **Do not plasterboard over the bath.**
 - **Do not grout the tiles when the bath screen has been fitted, the grout may discolour the aluminium profiles.**
 - **Make sure the bath is installed to the manufacturers instructions.**

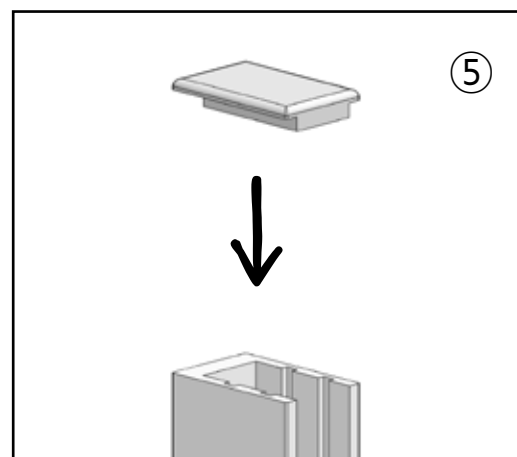
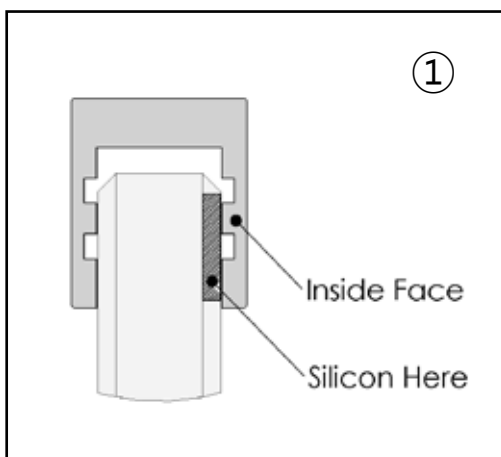
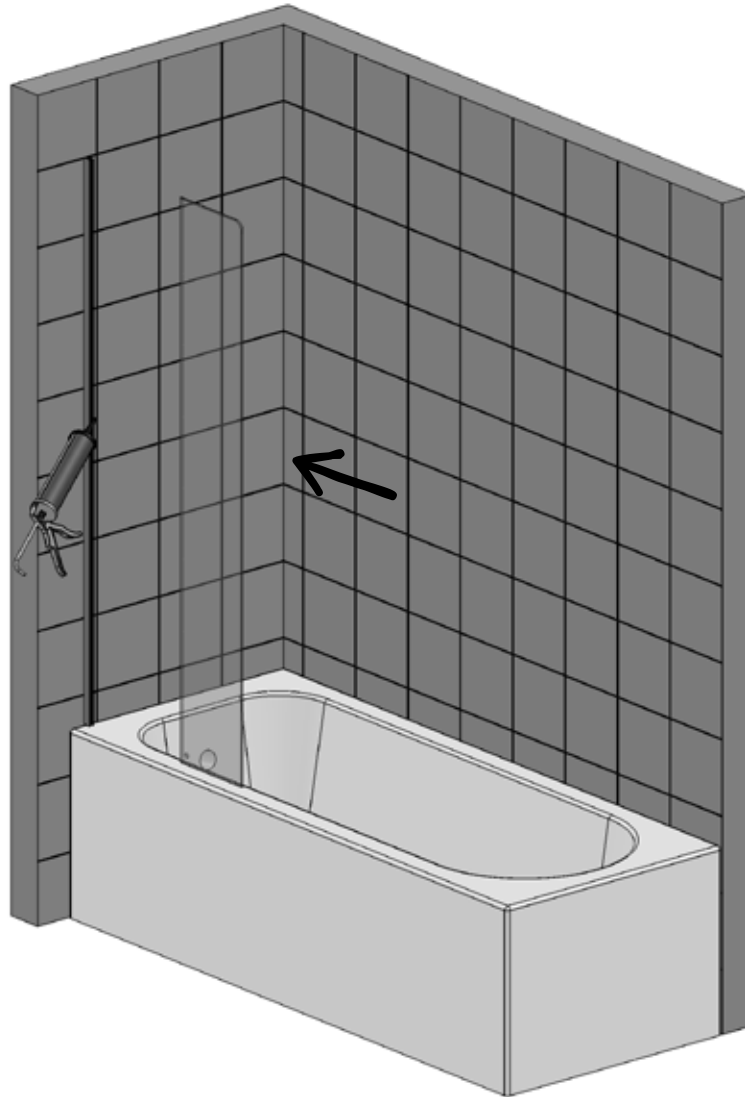
Step 1 - Fixing Wall Profile



1. Decide which end of the bath is to be fitted with the Mini Bath Screen.
2. Position the inside edge of the Wall Profile 5mm in from the inside edge of the Bath (as shown).
3. Make sure the Wall Profile is vertical using a spirit level.
4. Using a pencil, mark the locations for the drill holes through the holes in the Wall Profile.
5. Drill the holes using a 6mm masonry drill (not supplied). Fit the wall plugs (supplied) into the drilled holes.
 - **Remove any debris which has occurred during drilling before moving to the next stage.**
6. Before fitting the Wall Profile apply a bead of sealant at the bottom where it will meet the tiled wall.
7. Screw fix the Wall Profile to the wall using the 40mm screws (supplied) ensuring it is vertical.
8. Apply a bead of sealant to the inside of the Wall Profile at the bottom where it meets the Bath top.

Important: The wall profile must be completely vertical (the bubble should be in the centre of the 2 lines on the spirit level). The sealant must be applied in steps 6 and 8; failure to follow out this procedure may result in serious water damage and is not covered under the terms of the guarantee.

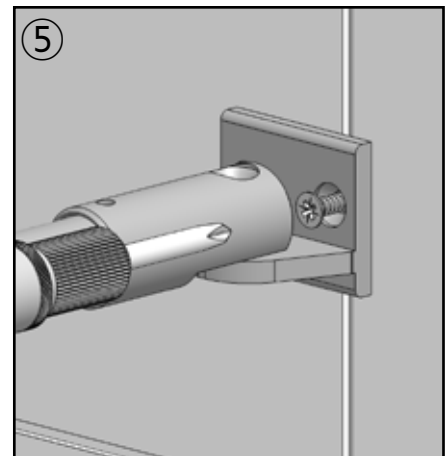
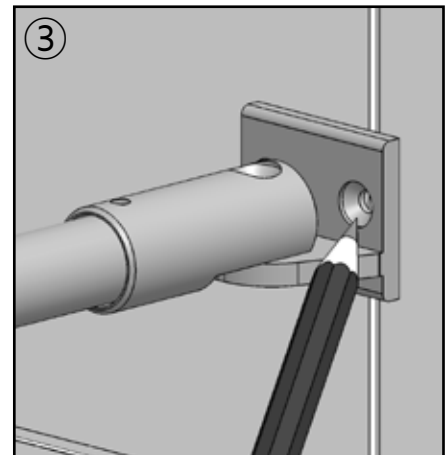
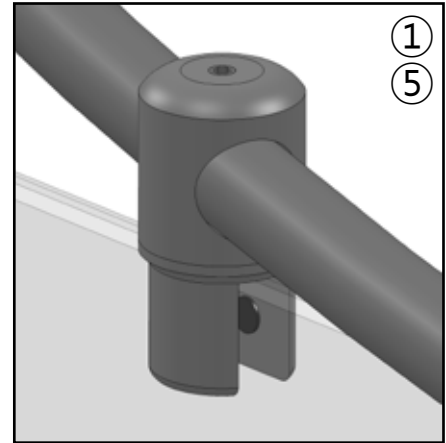
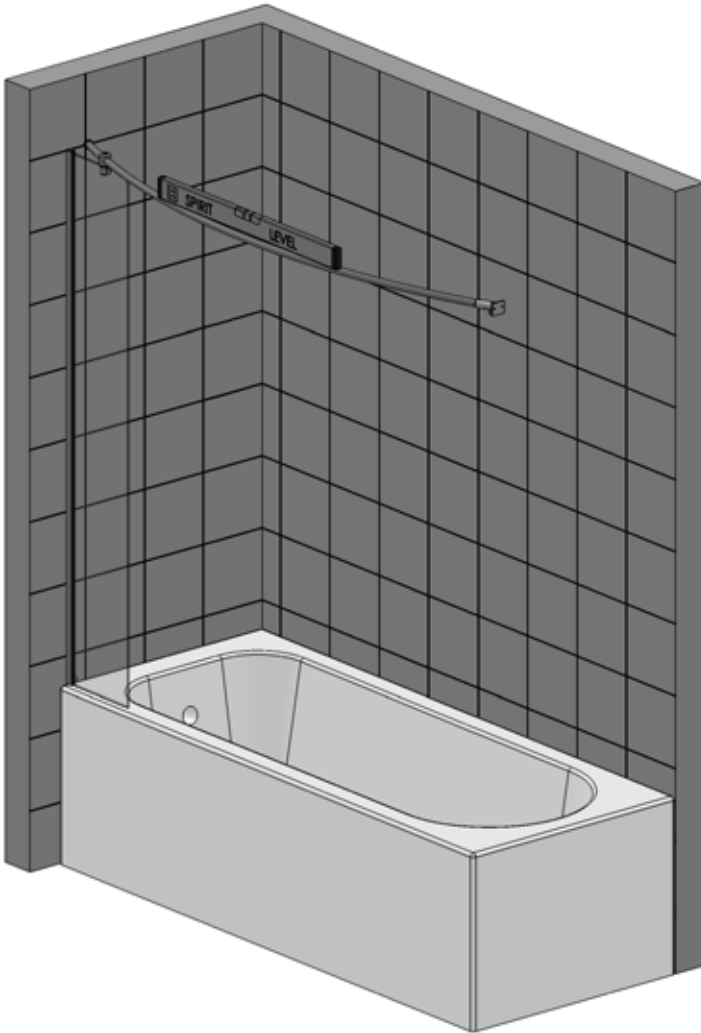
Step 2 - Fitting the Glass



1. On the inside of the Wall Profile towards the front add a bead of silicon vertically all the way down.
 - **NOTE: Be careful not to apply too much silicon as it may become messy.**
2. Ensure that the edge of the Panel Glass that is going into the Wall Profile is clean and free from any contaminants.
3. Carefully lift the Panel Glass and place it into the Wall Profile and push fully home.
 - **IMPORTANT: You may need to support the Panel Glass in some way until the silicon has cured.**
4. Carefully clean off any excess silicon that may of crept out of the Wall Profile.
5. Fit the End Cap to the top of the Wall Profile.

Step 3 - Fit Rail (V8CC2 only)

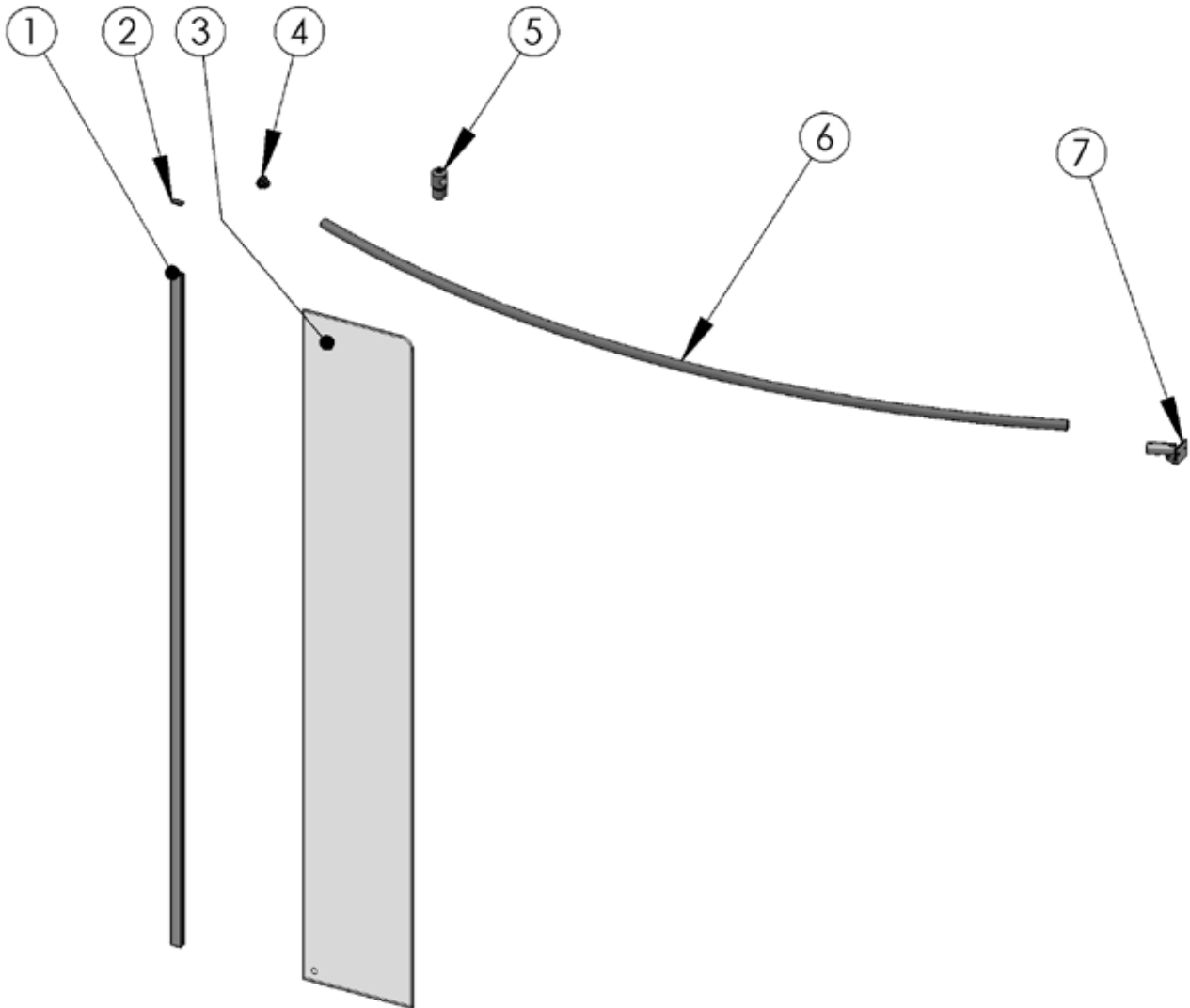
NOTE: Two people will be required to carry out this operation.



1. Remove the Curved Rail Assembly from its box and carefully fit the Glass Clamp over the tube at the opposite end to the Wall Bracket (DO NOT tighten at this stage).
2. Place the whole assembly onto the Panel Glass and position it evenly over the Bath.
3. Ensure the Curved Rail is horizontal with the aid of a Spirit Level. Mark the tiled wall through the holes in the Wall Bracket.
 - **The Curved Rail must be level, use a Spirit Level and ensure the bubble is in the middle of the two lines.**
4. Carefully remove the whole assembly, drill the tiled wall using a 6mm Masonry Drill (not supplied) and fit the Wall Plugs.
5. Refit the whole assembly onto the Panel Glass. Fix the Wall Bracket to the tiled wall and tighten the Glass Clamp onto the Glass making sure the gaskets are fitted. Ensure the bow in the Curved Rail is level then fully tighten all screws.
 - **IMPORTANT: If you need to cut the Curved Rail for any reason please ensure that you cut the end that goes into the Wall Bracket and you carefully remove all burrs.**

Spare Parts

If you need to replace any damaged parts please see illustration below for parts list then call Customer Relations on 01325 328033



NOTE: Part numbers 4 to 7 are for product code V8CC2 only.

Part No.	Description	Qty	Part No.	Description	Qty	Part No.	Description	Qty
1	Wall Profile	1	11			21		
2	End Cap	1	12			22		
3	Panel Glass	1	13			23		
4	End Stopper	1	14			24		
5	Glass Clamp	1	15			25		
6	Curved Rail	1	16					
7	Wall Bracket	1	17					
8			18					
9			19					
10			20					

TROUBLE SHOOTING GUIDE

Problem	Solution
Leaking	<ol style="list-style-type: none">1. Ensure the Bath is sealed along the tiled walls prior to installation.2. Check that the inside gap between the Bath and Wall Profile has been sealed correctly.3. If the inside joint between the Mini Fixed Bath Screen and the bath top is sealed, this will cause leakage - sealant must be removed.4. Ensure the Wall Profile on the tiled walls is sealed both vertically inside and outside.5. Ensure the joint between the Mini Fixed Bath Screen and bath top is sealed.6. Is the Wall Profile fitted 5mm approx. From the inside edge of the bath top. <p>Important: This enclosure should be water tested conforming to BS EN 14428</p>
Mini Fixed Bath Screen Alignment on the Bath	<ol style="list-style-type: none">1. Is the Mini Fixed Bath Screen fitted onto a tiled wall?2. Is the Wall Profile fitted 5mm approx. From the inside edge of the Bath Top.3. Is the Wall profile completely vertical?
Curved Rail Alignment	<ol style="list-style-type: none">1. Check the Curved Rail has been set up using a Spirit Level.2. Check all the screws are fully tightened.3. Check the Glass Clamp is secure.

Some important information to help you Maintain your product.

The following information is all you need to keep your product looking new.

Clean your product using a mild detergent diluted in water and then polished off using a soft cloth.

If you live in a hard water area, periodically clean your product using a 50/50 solution of white vinegar and water. The solution should be left on the enclosure for approximately 5 minutes then rinsed off using warm water. This method of cleaning should remove lime scale residue.

Simple Maintenance

Our products are generally maintenance free, however it may be necessary to lubricate wheel assemblies and other moving parts from time to time.

It is strongly recommended that a quality silicone spray is used.

A list of Don't's:

1. Don't use acidic based products which are unsuitable for cleaning enamel surfaces.
2. Don't use abrasive cleaners or cleaners using bleach or solvents, these products will adversely affect the finish of the aluminium profiles.
3. Don't use scouring pads, powder or any sharp instruments when cleaning the enclosure.

Should you experience any problems during installation please refer to the Trouble Shooting Guide or contact Customer Relations on:

+44 (0) 1325 328033

To enable customer relations to provide you with an excellent level of service it is important that you quote your product Code and Reference Number - these can be found on the Guarantee card.