

Commissioning

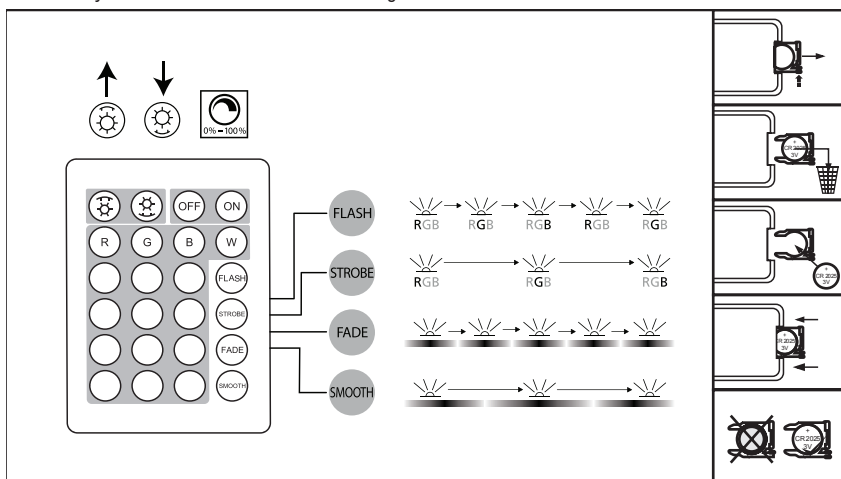
- Check all connections are tight.
- Plug in transformer and test.
- Peel the adhesive backing off of the strips and stick in place.
- Your LED strips are now ready for use.

Fitting/replacing bulbs

- This system contains non-replaceable parts and cannot be serviced. If damage occurs the part should be scrapped.


Operating the remote control and replacing the battery

- There are various colour mode variations as shown below.
- To replace the battery, release the compartment from inside the remote control by pushing the lever at the bottom left of the compartment. Pull the battery housing out and replace the exhausted battery with a new one - make sure the polarity is correct. Then slide the compartment back inside the remote control.
- Heed the battery care information noted the Warning section overleaf.



- We recommend cleaning with a soft dry cloth. Never use scourers, abrasives or chemical cleaners.
- Do not allow moisture to come into contact with electric parts.

Recycling advice

 Waste electrical products should not be disposed of with household waste. Please recycle where facilities exist. Check with your Local Authority or retailer for recycling advice.

Safety information

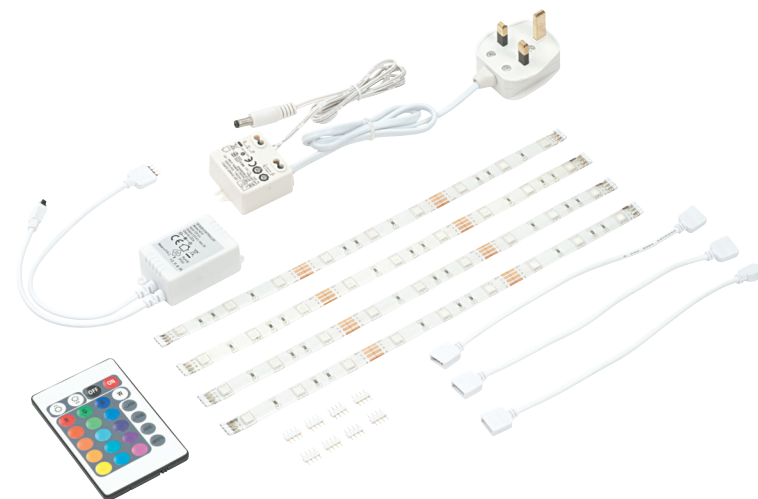
For your safety, always switch off the supply before cleaning.

Iss.4 22072014

Instruction leaflet

Flexline RGB Undercabinet Kit

51913



Thank you for purchasing this light fitting. Please read the instructions carefully before use to ensure safe and satisfactory operation of this product. Please retain these instructions for future reference.

Warning

This is a Class 3 product and requires the use of a LED Driver (supplied).

Please read these instructions carefully before commencing any work.

This unit must be fitted by a competent and qualified electrician.

Install in accordance with IEE Wiring regulations and current Building Regulations.

To prevent electrocution switch off at mains supply before installing or maintaining this fitting. Ensure other persons cannot restore the electrical supply without your knowledge.

This product cannot be dimmed.

This system contains non-replaceable parts and cannot be serviced. If damage occurs the part should

be scrapped.

This system operates at Safety Extra Low Voltage (12V), via a LED driver. Never connect the LED strips directly to the mains without using the correct LED driver.

Waste electrical products should not be disposed of with household waste. Please recycle where facilities exist. Check with your local authority or retailer for recycling advice.

Battery care: Do not recharge non-rechargeable batteries. Do not mix old and new batteries or batteries of different types.. Do not use rechargeable batteries. Always remove exhausted batteries from the remote control. Always insert the battery with the correct polarity. Do not short circuit the supply terminals. This product is suitable for use by adults only.

Specification

Voltage: 240V ~ 50Hz
Lamp: 4 x 1.35W LED (SMD 5050) RGB
IP rating: IP20

Kit Contents

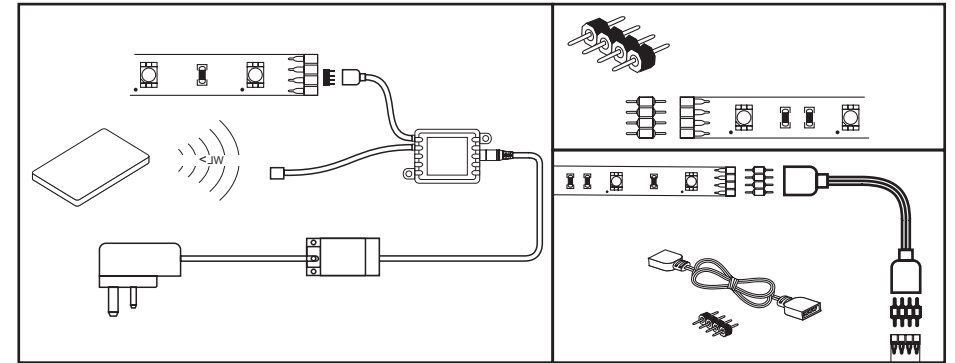
1 x in-line driver with UK 3 Pin Plug
1 x 0.5m mains & 1.5m LV extension cable
4 x 300mm strips
3 x 150mm extension cables
8 x Short 4 pin connectors
1x RGB remote and Controller

Layout

- Plan the desired layout of these fittings carefully, ensuring the cables will reach the distances between the transformer and each LED strip.
- This product is designed for use under kitchen cupboards, bookshelves, cabinets etc. Suitable for indoor use only. Not suitable for bathrooms.
- Do not attach to surfaces which are damp, freshly painted or otherwise electrically conductive (e.g. metallic surfaces).
- The chosen location should allow for the product to be securely mounted and safely connected to the mains supply (240V wall socket).
- Ensure that there is adequate ventilation for the LED driver
- Avoid locating any cables in positions that would cause a hazard. Position cables and connector block away from areas where they may be at risk from being cut, trapped or damaged.
- Cables that are to be in walls must be protected using suitable conduit or plastic trunking.
- Please note that the strips are flexible. Whilst they will take a certain amount of bending, they must not be folded.

Installation

- Lay out and measure the positions of the LED strips as desired. Ensure cables are routed to avoid accident or damage occurring. Cables can be taped to mounting surface after installation.
- Connect the remote control sensor to the transformer. Connect one strip to the sensor, route loom to desired power source. (240V mains socket) Cables can be tidied and secured to the mounting surface using tape or small clips (not supplied).
- The other 3 strips can be linked in one of two ways, as shown below:-
 - via the 4 pin connectors
 - via the 4 pin connectors and extension cables



Wiring

This LED driver is double insulated and must not be earthed.

- The appliance is fitted to a rewireable 3 pin plug fitted with a 3 amp fuse. Should the fuse require replacement, it must be replaced with a fuse rated at 3 amp and approved to BS1362.
- Either directly wire the power lead to a fused outlet socket. The Brown wire must be connected to the terminal marked L or coloured red. The Blue wire must be connected to the terminal marked N or coloured black. Use a 3 Amp Fuse approved to BS1362.
- If the mains plug is unsuitable for the socket outlet or is removed for any other reason, then the cut off plug should be disposed of safely to prevent the hazard of electric shock.
- There is a danger of electric shock if the cut off plug

is inserted into any 13 amp socket outlet.

- The wires in the mains lead on this appliance are coloured in accordance with the following code:
 - Blue – Neutral
 - Brown – Live
- Use a 3 Amp Fuse approved to BS1362.

