

ENDON[®]

Britton Semi-Flush Light (IP44 Rated)

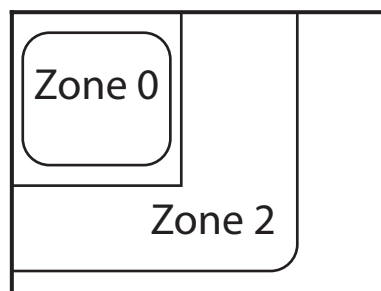
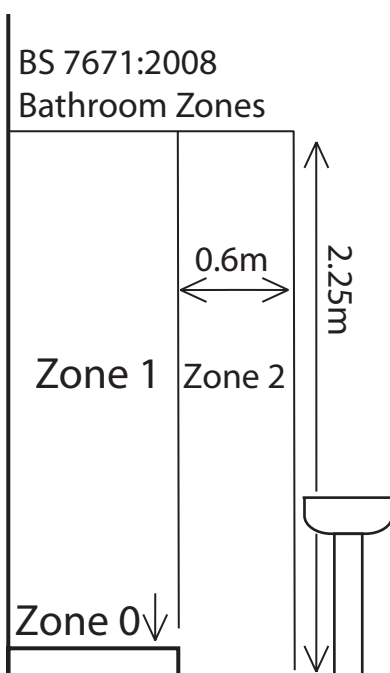
INSTRUCTION MANUAL

Safety Warnings

- It is recommended that this light be installed by a qualified electrician in accordance with current IEE Wiring Regulations and Building Regulations (Part P).
- This product is only suitable for connection to a 240V~50Hz supply and is for indoor use only.
- This light may be installed in “Zones 1 and 2 and Outside Zones” of a bathroom where water jets are not used for cleaning purposes. These zones are referenced in BS 7671: 2008 “Requirements for Electrical Installations”, IEE Wiring Regulations 17th Edition. All dimensions must be checked in conjunction with the Regulations.
- The supply circuit must be protected by an RCD OR the casing of the light must be connected to the “Supplementary Equipotential Bonding” points in the bathroom.
- An electrician must be consulted if in any doubt about your own competency or meaning of bathroom “Zones” or “Equipotential Bonding” or “RCD”.
- This fitting is a Class I, Earthed product. The Fitting must be connected to Earth.
- Switch off the mains supply and remove the appropriate fuse or switch off the appropriate circuit breaker before commencing installation.
- Do not install a bulb with a greater wattage or different shape than specified on the label.
- Clean with a dry cloth only. Do not use liquid or abrasive cleaners on this product, and allow 10 minutes to cool before replacing adjusting or cleaning.
- If any modification is made it will invalidate the warranty and may render the product unsafe.
- If the glass or diffuser is broken or cracked it must be replaced, please consult your retailer. This is the symbol which denotes this requirement.



Zone Information



Shower tray shown; bath has equivalent diagram.
Refer to Standard for more information.

Basins should be regarded as having a 600mm Zone 2 hemisphere above and extending down to floor.

Before you start

Please read these instructions carefully before fitting and retain for reference.
Check the packaging and make sure that you have all the required parts.
Follow each assembly step in order to prevent incorrect assembly.
Ensure that the product is fully assembled as illustrated before use.

The Light pack contains:

Light fitting.
Terminal connection block(s).
Fixing pack.

The following tools may be required:

Selection of cross and flat head screwdrivers.
Electric drill and assorted drill bits.
Wire strippers.
Electrical insulation tape.
Sealant

These assembly diagrams are intended as a guide – if in doubt consult a qualified electrician.

1. Decide on the position of the light fitting / or remove existing light fitting. Take a note of the position of the electrical connections. Ensure there is a solid mounting surface, preferably a wooden joist or joist bridge to support the weight of the light fitting.
2. Remove the two side screws (8) and retain the screws for re-use. Use the fixing bracket as a template to mark the screw holes. Mark the screw holes and secure to the ceiling with appropriate screw fixings (1&2).
3. Support your fitting and connect the house wiring to the terminal block (3) inside the terminal housing. **NOTE: This is a Class I fitting and must be earthed.** When resealing the terminal box ensure that no wires are trapped or left exposed, and that the seal is good.
4. Install the bulbs (4). Never fit a bulb with a higher wattage, as this could cause over heating and damage the fitting.
5. Slot the glass shade over the lampholder (5).
6. Put the silicone washer (6) over the screw thread, and screw the bulb cover (7) down to assist in pushing the washer down, being wary of cross threading. Ensure that the silicone washer does not get caught on the screw thread, and lays flat to ensure a good seal. **NOTE: It is vital the silicone washer is used to prevent water ingress into the fitting, to prevent shocks and damage.**
7. Repeat points 4-6 for all 3 lights, always ensuring there is a good seal and no cross-threading.
8. Secure the ceiling plate over the bracket by using the screws (8) removed in Point 2.
9. Turn on the power and test.

