

ERIS 30/40/50/60

Art No. 45300 - 45000 - 45100 - 45200

Thank you for purchasing this HiB product.

Please read through these instructions carefully and refer back to them during installation to ensure that your product is fitted safely and that it retains its high quality finish.

Please retain this leaflet for future reference.

Before drilling, ensure there are no hidden cables or pipes in the wall.

Installation

1. Position the cabinet in a suitable location.
2. Carefully mark the position of the cabinet using a soft pencil ensuring it is level. Remove the cabinet and mark the mounting points (see fig. A). **Please ensure that all marked mounting points accurately match up with the fixing points on the cabinet.**
3. Using a suitable drill bit, drill holes in the marked positions to a suitable depth. If drilling through tile, use a ceramic drill bit.
4. Insert wall plugs level with the surface of the wall. If fitting to a tiled surface, wall plugs should be inserted below the tile surface to avoid cracking. *NB. For plasterboard walls, specialist fixings should be purchased, available from any DIY or hardware store.*
5. Fix the brackets to the wall using the screws provided. (See Fig. B).
6. Hang the cabinet on the wall ensuring that it is firmly located on the mounting brackets.
7. Once in position make a mark on the wall through the hole in the cabinet (See Fig. A). Remove the cabinet, drill a hole in the wall at the marked position and insert wall plug. Rehang the cabinet and secure using screw, washer and cover provided.
8. Align door(s) according to Figure C.
9. Starting with the top shelf, insert the shelf supports in the desired position and fit the shelf. (See fig. D).

Care Instructions

Do not use abrasives or solvents when cleaning this product.

Wipe off all water spillages as soon as possible using a soft, damp cloth.

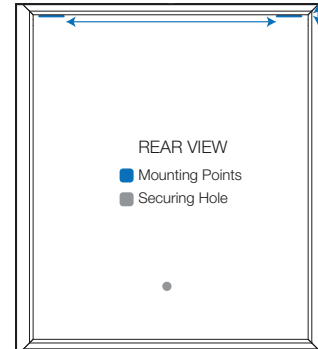
Aftercare Service

In the unlikely event that this product should fail please contact HiB customer services, contact detail shown below.

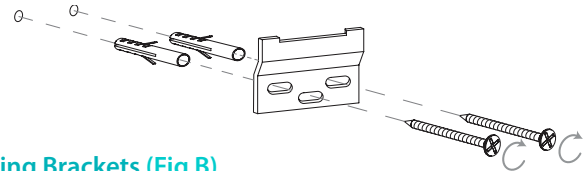
Caution

We recommend that you place this cabinet on a soft flat surface to ensure no breakages.

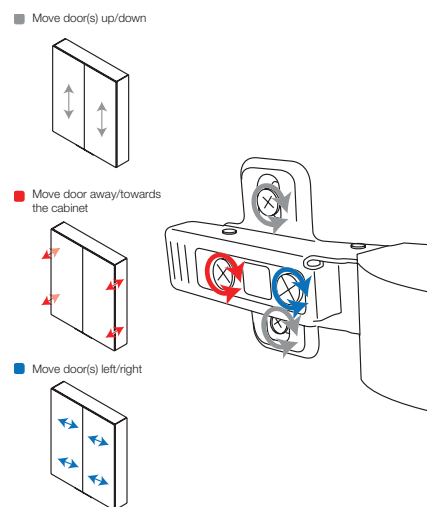
We also recommend that you leave corner protectors on until final fitting.



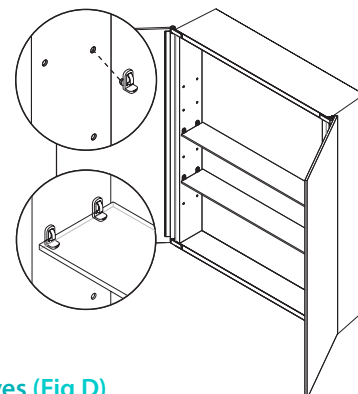
Fixing Preparation (Fig A)



Fixing Brackets (Fig B)



Door Adjustments (Fig C)



Fitting Shelves (Fig D)