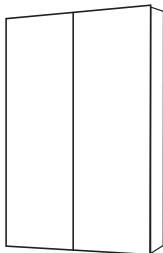
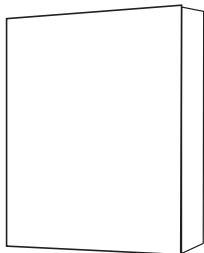


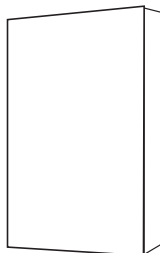
## Aluminium Cabinets



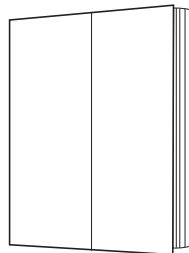
Jupiter  
Art No. 43600



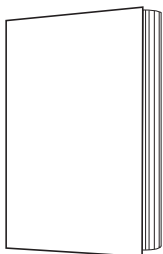
Kore  
Art No. 43900



Callisto  
Art No. 44100



Quantum  
Art No. 42500

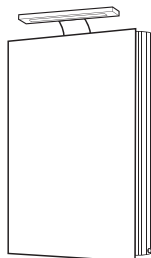


Nitro  
Art No. 42400

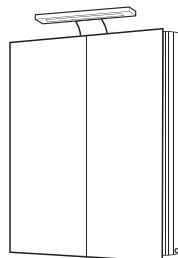


Mercury  
Art No. 43700

## LED Cabinets



Atomic  
Art No. 42700



Electron  
Art No. 42600

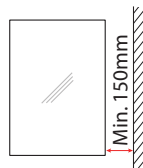
Thank you for purchasing this HiB product.

Please read through these instructions carefully and refer back to them during installation to ensure that your product is fitted safely and that it retains its high quality finish.

Please retain this leaflet for future reference.

Before drilling, ensure there are no hidden cables or pipes in the wall.

**Please Note** Atomic & Electron cabinets must be installed with a minimum distance of 150mm between the infra-red sensor switch and any surface or object to ensure correct operation of the sensor.

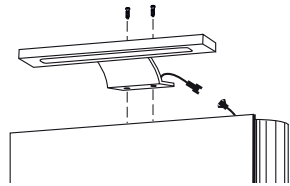


## Installation

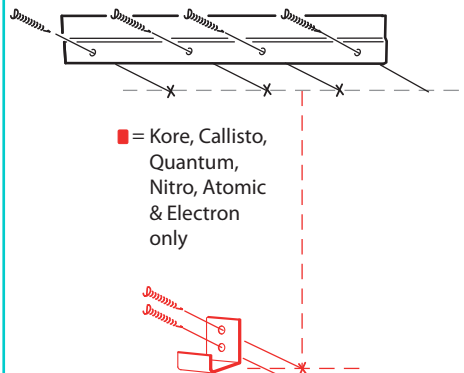
- 1. Atomic & Electron Only:** Attach the LED light fitting on the top of the cabinet using the pre-drilled holes and the screws provided. Push the male and female electrical connections together until they 'click' (Fig. A).
2. Position the cabinet in a suitable location and carefully mark the position of the top of the cabinet using a soft pencil.
3. Remove the cabinet from the wall and using a spirit level, mark a horizontal line 50mm below the pencil mark. Hold the mounting bracket in place with the holes corresponding with the marked line. Ensure the bracket is central, and mark the position of the holes (Fig. B).
- 4. Before drilling, ensure there are no hidden cables or pipes behind the mounting points.** Drill the required holes in the marked positions. If drilling through tile, use a ceramic drill bit. Insert the wall plugs level with the surface of the wall. If fitting to a tiled surface, wall plugs should be inserted below the tile surface to avoid cracking. *NB. For plasterboard walls, specialist fixings should be purchased, available from any DIY or hardware store. Fix the bracket to the wall using the screws provided.*
- 5. Kore, Callisto, Quantum, Nitro, Atomic & Electron:** Temporarily hang the cabinet on the top bracket, and position the bottom mounting bracket into the slot underneath the cabinet. Mark the position of the bracket using a soft pencil, then remove the cabinet from the wall (Fig. C 1).  
**Mercury & Jupiter:** Temporarily hang the cabinet on the top bracket and mark the position of the bottom mounting hole onto the wall. remove cabinet and drill into the wall as per step 4 (Fig. C 2).
- 6. Kore, Callisto, Quantum, Nitro, Atomic & Electron:** Place the bottom bracket on the previously marked line and mark the positions of the holes. Using the same method as before, drill the required holes and attach the bracket to the wall using the screws provided.

- 7. Atomic & Electron Only:** This cabinet is provided with an electrical supply cable already fitted. This cable should be connected to the household electrical circuit, and connections should be made in accordance with the latest IEE regulations. This is a Class I product and must be connected to Earth. Ensure the domestic electrical mains supply to which the product is being connected is turned off. Connect the domestic mains supply according to Figure 2 on the back page.
8. Hang the cabinet on the wall ensuring that it is firmly located on both brackets. Align doors according to Fig. D.
9. Starting with the top shelf, insert the shelf supports in the desired position and put shelf into place. repeat for remaining shelves.

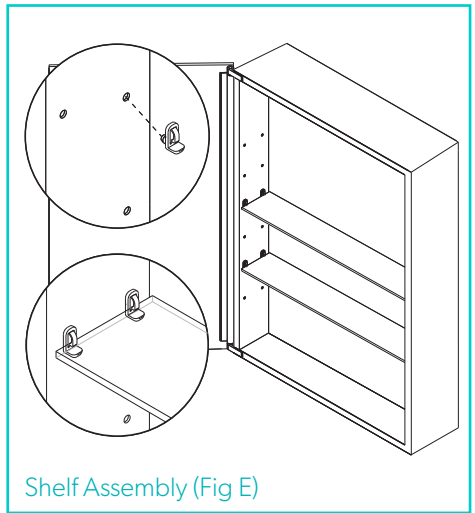
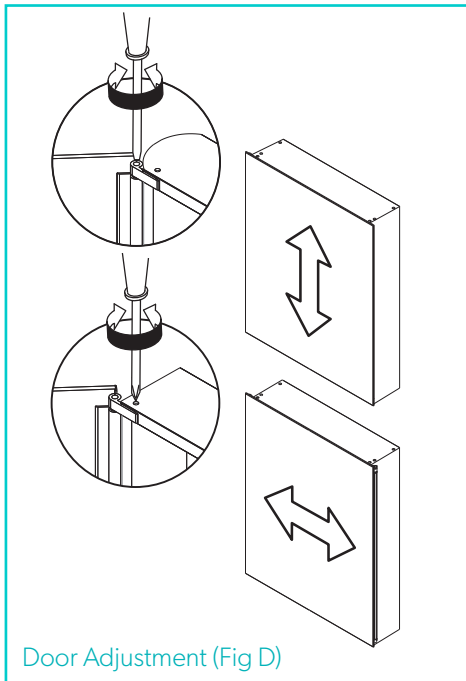
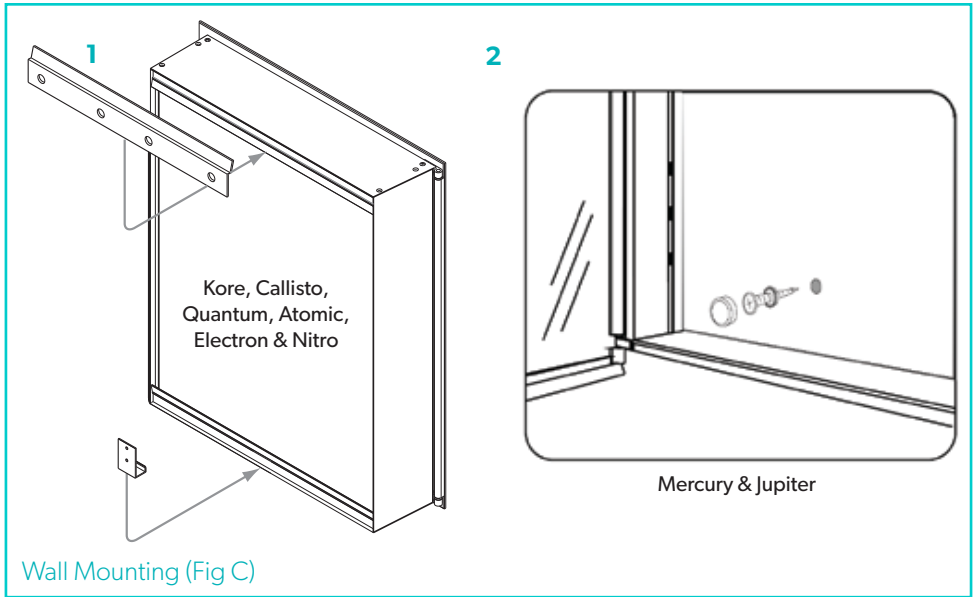
Atomic  
&  
Electron  
Only



Attachment Light Fitting (Fig A)



Attachment Brackets (Fig B)





**Atomic & Electron are suitable for installation in zones: 2 & Outside Zones**  
**No zonal restrictions exist for non-electric cabinets.**

All installations must comply with guidelines which are based on a zonal concept. The diagram above illustrates this concept and must be followed to ensure the safe installation of electrical appliances in the bathroom. These regulations apply to domestic installations only. Installations must be made in accordance with the current IEE wiring regulations and relevant building regulations. **HiB recommends that all electrical bathroom products should only be fitted by a suitably qualified, Part P registered electrician.**

**Wiring Diagram (Fig 2)**

LUMINAIRE

MAINS SUPPLY

**WEEE compliance**

**Must not be mixed with general household waste**

**Electrical Safety Information**

HiB recommends that all electrical bathroom products should only be fitted by a suitably qualified, Part P registered electrician in accordance with current IEE regulations. Ensure mains power supply is switched off before starting installation. Before drilling, ensure there are no hidden cables or pipes in the wall.

**Care Instructions**

Do not use abrasives or solvents when cleaning this product.  
Wipe off all water spillages as soon as possible using a soft, damp cloth.

**Aftercare Service**

In the unlikely event that this product should fail please contact HiB customer services, details shown below.