

# Curved Bath Screen

## Instruction Manual

CB



PO Box 125, Whitworth Avenue,  
Aycliffe Business Park,  
Co Durham DL5 6WX

12

EN 14428:2008+A1

To obtain a copy of the Declaration of Performance for this product, please go to: [www.ce-dop.com](http://www.ce-dop.com), contact us on +44 (0) 1325 328034, or write to us at the above address, quoting the product reference number where possible.



### IMPORTANT INFORMATION

- Toughened glass is completely safe for use in our shower enclosures and bath screens; providing our products are installed according to our guidelines.
- It is important to note that the glass must not be mounted or 'pinched' in such a way that would cause a stress point to develop in the glass. In addition, it must not be subject to any sharp impact or severe temperature fluctuation which may also cause a stress point to develop in the glass.
- Toughened glass is physically and thermally significantly stronger than standard glass. During the toughening process the stresses contained within any glass are balanced so if in the unlikely event situation any of the above occurs and the glass breaks, the glass will shatter safely into small thumbnail sized blunt fragments.

### PRE-INSTALLATION CHECKS

1. Check you have the correct product. Please look at the labels on the side of the product packaging.
2. Check all the product components are in the box and the fixing kits.
3. Unpack your product and handle it with care.
4. Please check the product for defects or damage. once the installation has commenced we cannot accept responsibility for any defects or damage.
5. Please take time to read these instructions prior to installing your product.
6. Before you commence any drilling check there are no hidden electrical cables and/or water cables.
7. No attempt should be made to re-work the toughened safety glass.
8. The installation of the product should be performed by two persons.
9. It is strongly recommended that the walls the product is going to be installed on are vertical.
10. It is strongly recommended the product is fitted on a tiled surface or similar waterproof surface.
11. It is strongly recommended the walls are tiled and grouted before the product is installed.
12. If the walls and/or the tray are not level you will not achieve maximum adjustment of the product.
13. Pictures used are for illustration purposes only, product designs may alter slightly as a result of continuing product development.
14. We do not stipulate where the European Standard Kite Mark should be positioned on the glass when being factory assembled.
15. Please note that some natural misting may occur when you remove this product from its packaging, due to the addition of the glass protection pre-coating. If this does occur this can easily be removed with a soft, dry cloth.

#### Component Check List: Supplied

Description	Quantity
Wall Profile	1
Glass Screen	1
Main Curved Rail	1
Coloured Infill Trim	1

#### Equipment Check List: Not Supplied

Description
Electric Drill
6mm Masonry Drill Bit
Bathroom Sealant Gun
Bathroom Sealant
Screwdriver
Spirit Level
Tape Measure
Pencil
Wall Plugs (not supplied)

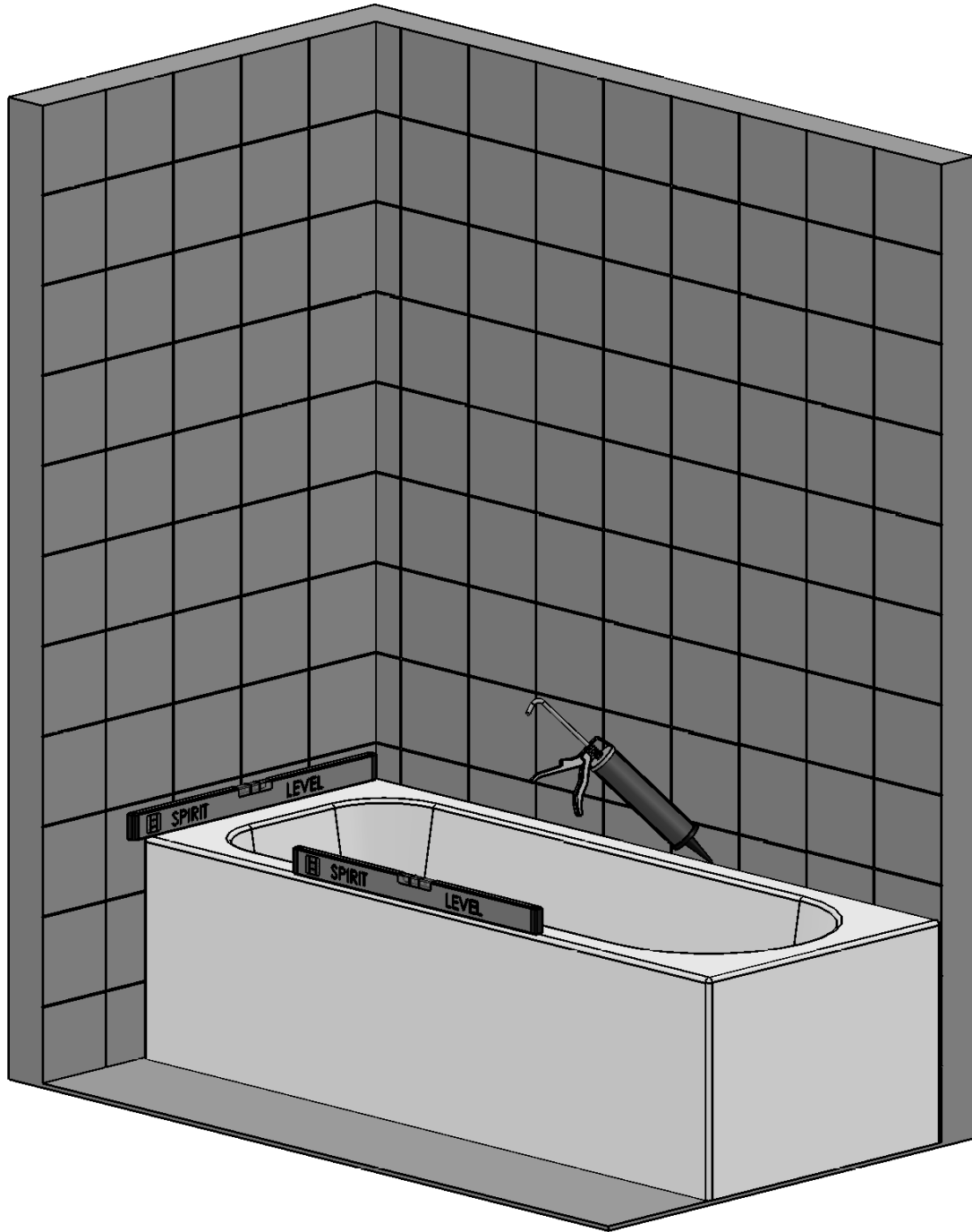
#### Fixing Kit Components

Description	Quantity
2.5mm Drill Bit	1
40mm Screws	3
9mm Screws	3
Wall Plugs (for brick and block only)	3
Bottom Seal	1
4mm Allen Key	1
Red Setting Block	1
Branding Badge (where applicable)	1

### CONSUMER GUARANTEE

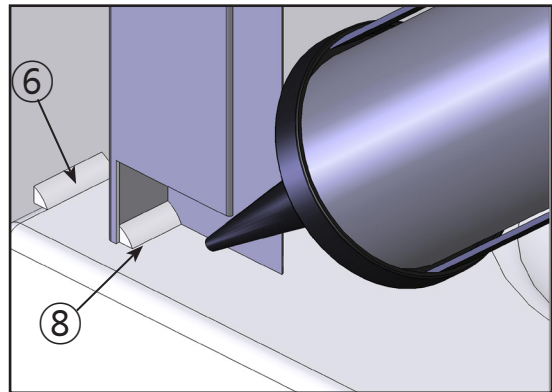
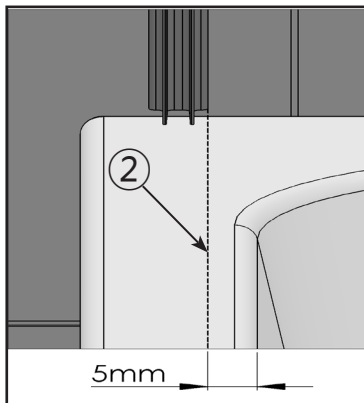
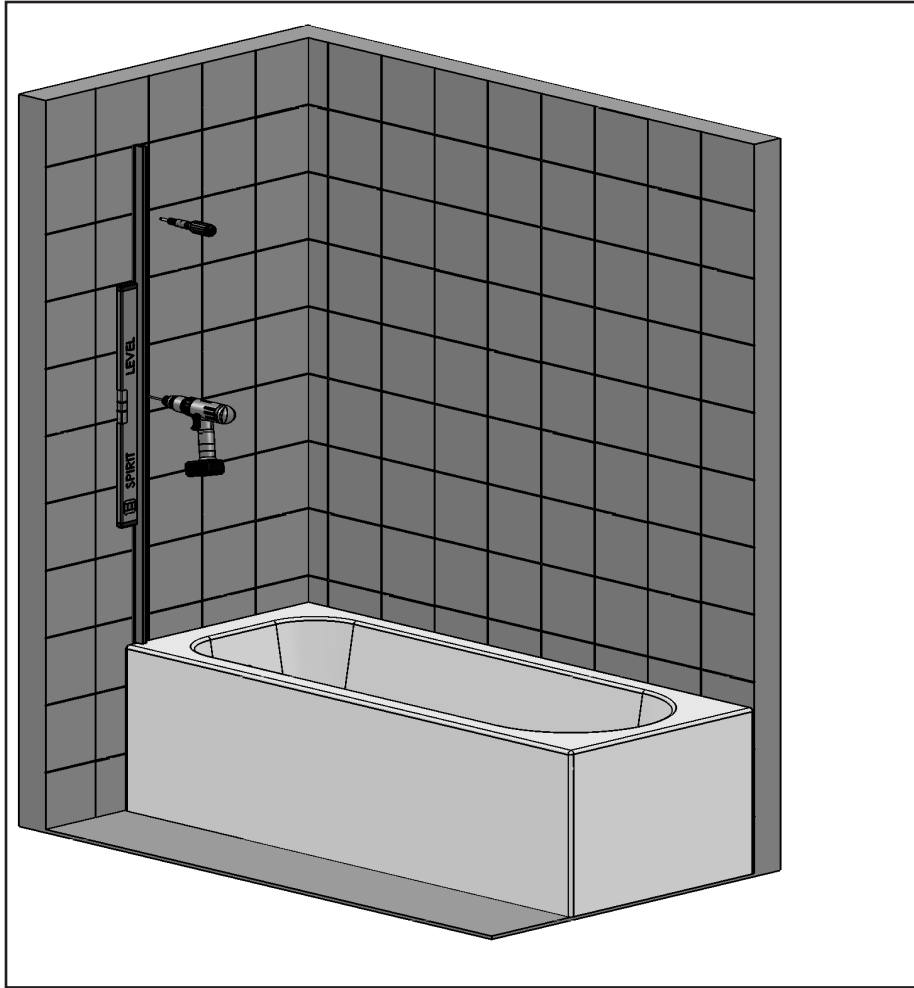
Please make sure the purchaser/end user completes and returns the guarantee card which is enclosed with this product. Failure to validate the Guarantee will mean only the 1 Year Statutory Guarantee will apply.

## IMPORTANT PRE-INSTALLATION CHECKS



1. Ensure the bath is completely level.
  2. Check for any movement in the bath by standing in it.
  3. The walls should be tiled and grouted up to the bath.
  4. Fill the bath with water and check the plumbing for leaks.
  5. With the bath full of water, fully seal the bath along the tiled wall with a bathroom sealant (not supplied).
  6. With the water still in the bath leave the sealant to cure for at least 24 hours.
- **Spray the seal and joints with the shower head and check for leaks when the silicon has cured.**
  - **Check the plumbing for leaks.**
  - **Do not plasterboard over the bath.**
  - **Do not grout the tiles when the bath screen has been fitted, the grout may discolour the aluminium profiles.**
  - **Make sure the bath is installed to the manufacturers instructions.**

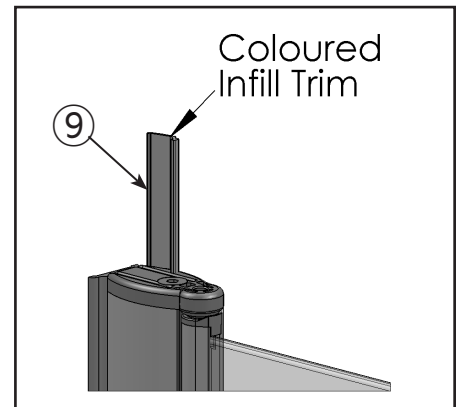
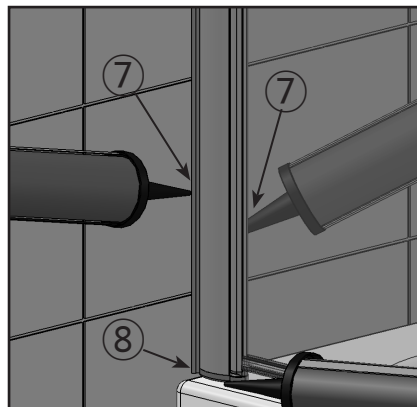
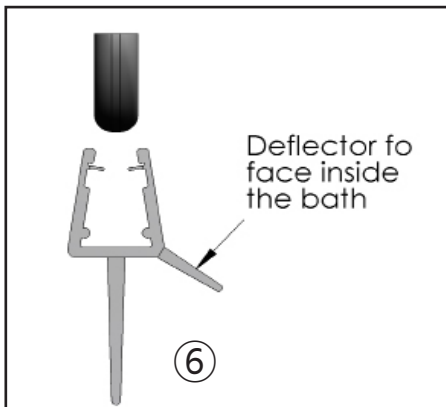
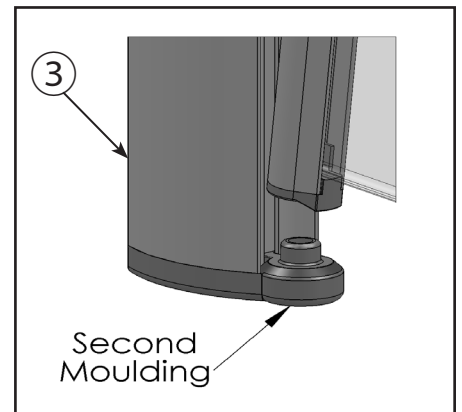
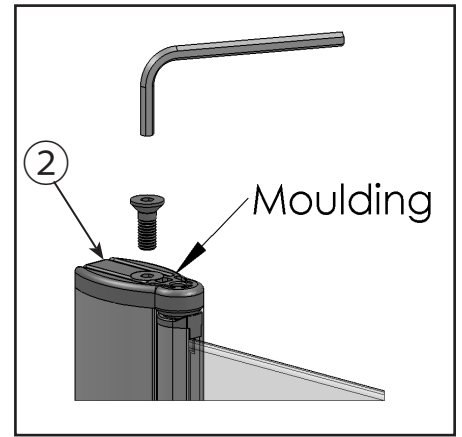
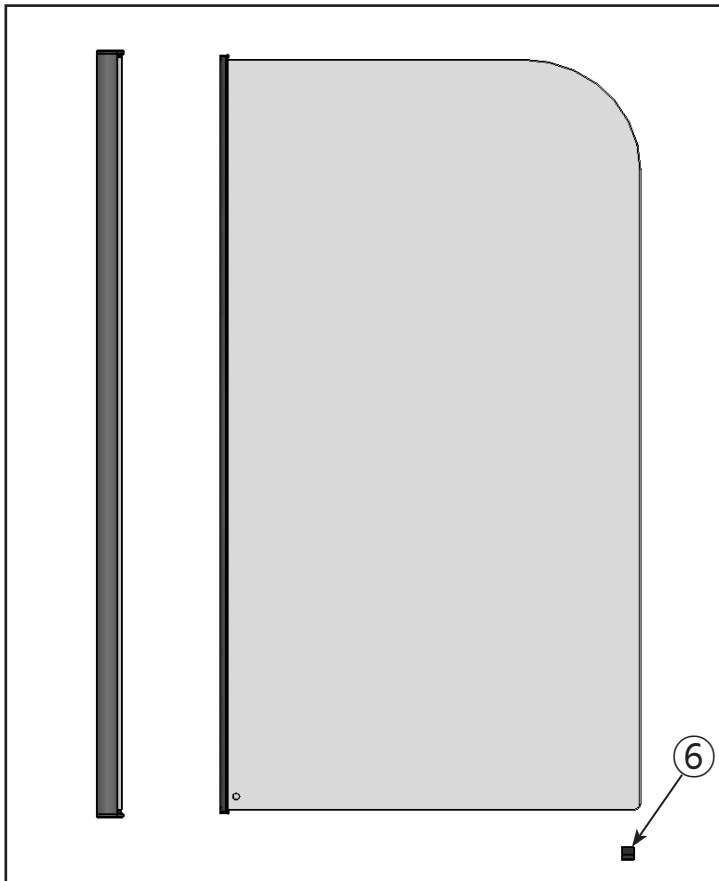
## Step 1 - Fixing Wall Profile



1. Decide which end of the bath is to be fitted with the Bath screen.
2. Position the inside edge of the wall profile 5mm in from the inside edge of the Bath (as shown).
3. Make sure the wall profile is vertical using a spirit level.
4. Using a pencil mark the locations for the drill holes through the slots of the wall profile.
5. Drill the holes using a 6mm masonry drill (not supplied); push the wall plugs (supplied) into the drilled holes.
6. Apply a bead of sealant the width of the wall profile at the bottom where the wall profile meets the tiled wall.
7. Screw fix the wall profile to the wall using the 40mm screws (supplied) ensuring it is vertical.
8. Apply a bead of sealant to the inside of the wall profile at the bottom where it meets the Bath top.

**Important:** The wall profile must be completely vertical (the bubble should be in the centre of the 2 lines on the spirit level). The sealant must be applied in steps 6 and 8; failure to follow out this procedure may result in serious water damage and is not covered under the terms of the guarantee.

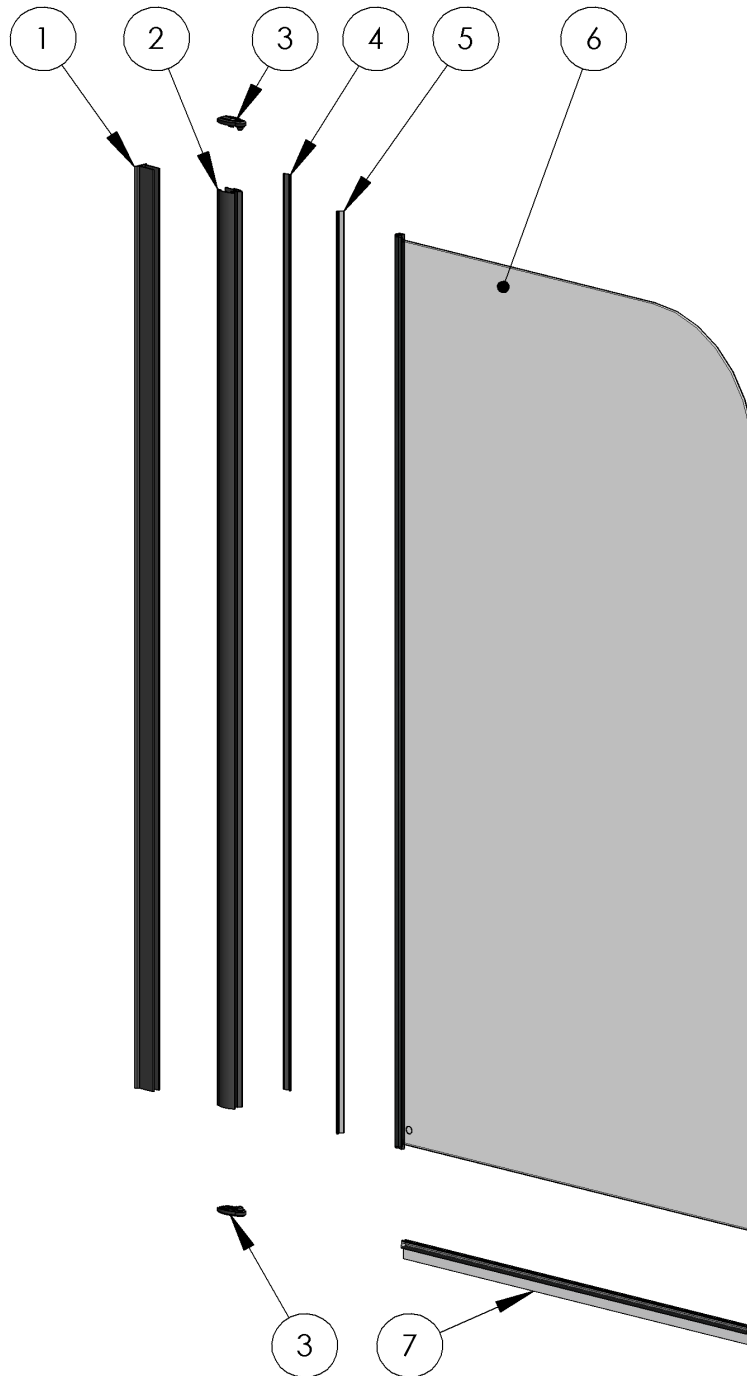
## Step 2 - Fixing the Screen



1. Place the Glass Screen on a scratch free surface so that the Main Curved Rail can be attached.
2. Remove one of the mouldings from the Main Curved Rail by loosening the screw anticlockwise using the Allen key (supplied).
3. Position the Main Curved Rail over the second moulding as shown, re-fit the first moulding, making sure you fully tighten the screw (ensure the curved face will face outward on the bath).
4. Slide the Main Curved Rail over the top of the Wall Profile ensuring that it overlaps by at least 5mm. Fit the Red Setting Block between the glass and Bath top (2 people will be required to do this).
5. Step inside the bath and drill 3 holes through the pre-drilled holes in the Main Curved Rail into the Wall Profile with the 2.5mm drill bit (supplied). Fit the 9mm screws and fully tighten.
6. Remove the Red Setting Block and push the Bottom Seal completely onto the glass screen and up to the aluminium tube, ensure the deflector faces inwards towards the bath. Cut the seal to length making sure it does not extend past the glass (**Further adjustment may be required if the Bottom Seal is not depressed onto the Bath top - if this is the case please revisit steps 4 and 5 and adjust as necessary**).
7. Once satisfied with the installation seal both sides of the wall profile inside and outside only where it meets the tiles.
8. Fully seal the base of the Main Curved Rail along the bath top on the outside only.
9. Once the Bathroom Sealant has cured, press fit the Coloured Infill Trim into the vertical groove of the Main Curved Rail.
10. Ensure the Branding Badge (if applicable) is placed prominently on a none moving aluminium part.

## Spare Parts

If you need to replace any damaged parts please see illustration below for parts list then call Customer Relations on 01325 328033



Part No.	Description	Q'ty	Part No.	Description	Q'ty	Part No.	Description	Q'ty
1	Wall Profile	1	11			21		
2	Curved Rail	1	12			22		
3	Hinge Mouldings	2	13			23		
4	Coloured Infill Trim	1	14			24		
5	Tube Seal	1	15			25		
6	Glass Screen	1	16					
7	Bottom Seal	1	17					
8			18					
9			19					
10			20					

## TROUBLE SHOOTING GUIDE

Problem	Solution
<b>Leaking</b>	<ol style="list-style-type: none"><li>1. Check the internal gap between the Bath and the Wall profile has been sealed correctly.</li><li>2. Ensure the Bath is fully sealed along the tiled walls prior to installation.</li><li>3. If the Main Curved Rail is sealed on the inside along the Bath top, this will cause leakage - sealant must be removed.</li><li>4. Ensure the wall profile on the tiled wall is sealed both vertically inside and outside.</li><li>5. Ensure that the outside joint between the Curved Bath Screen and Bath top is fully sealed.</li><li>6. Is the Wall Profile fitted 5mm approx. from the inside edge of the Bath top.</li><li>7. Is the bottom seal slightly depressed onto the Bath top.</li><li>8. Ensure the deflector on the Bottom Seal is facing inward towards the Bath.</li></ol>
<b>Curved Bath Screen alignment on Bath</b>	<ol style="list-style-type: none"><li>1. Is the Bath Screen fitted onto a tiled wall?</li><li>2. Is the Wall Profile fitted 5mm approx. from the inside edge of the Bath top?</li><li>3. Is the wall profile completely vertical?</li></ol>

### Some important information to help you Maintain your product.

The following information is all you need to keep your product looking new.

Clean your product using a mild detergent diluted in water and then polished off using a soft cloth.

If you live in a hard water area, periodically clean your product using a 50/50 solution of white vinegar and water. The solution should be left on the enclosure for approximately 5 minutes then rinsed off using warm water. This method of cleaning should remove lime scale residue.

### Simple Maintenance

Our products are generally maintenance free, however it may be necessary to lubricate wheel assemblies and other moving parts from time to time.

It is strongly recommended that a quality silicone spray is used.

### A list of Dont's:

1. Don't use acidic based products which are unsuitable for cleaning enamel surfaces.
2. Don't use abrasive cleaners or cleaners using bleach or solvents, these products will adversely affect the finish of the aluminium profiles.
3. Don't use scouring pads, powder or any sharp instruments when cleaning the enclosure.

Should you experience any problems during installation please refer to the Trouble Shooting Guide or contact Customer Relations on:

**+44 (0) 1325 328033**

To enable customer relations to provide you with an excellent level of service it is important that you quote your product Code and Reference Number - these can be found on the Guarantee card.