

35 050

Rapido T



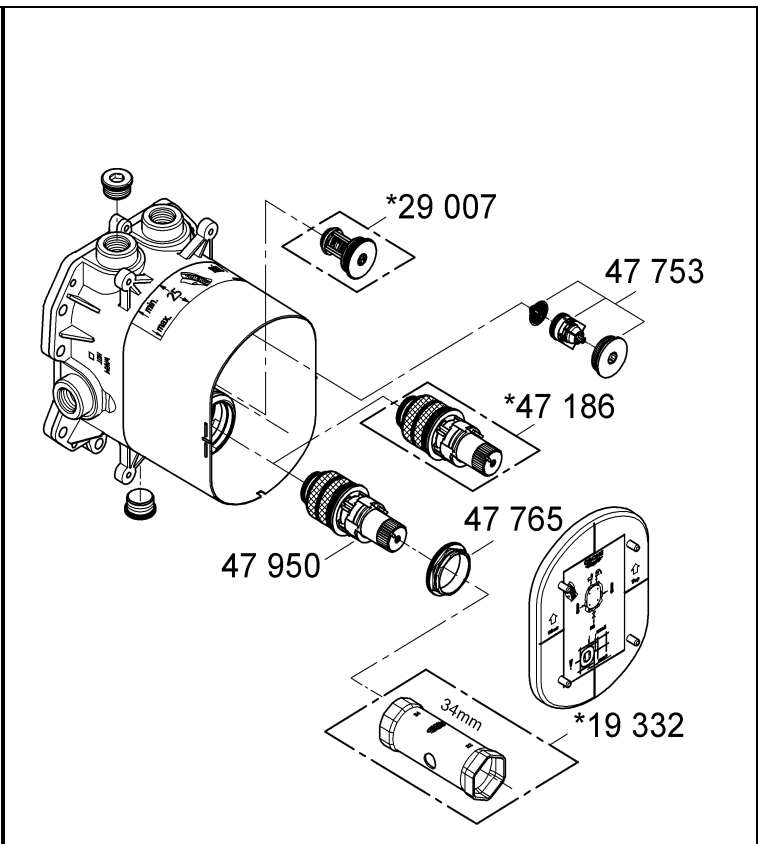
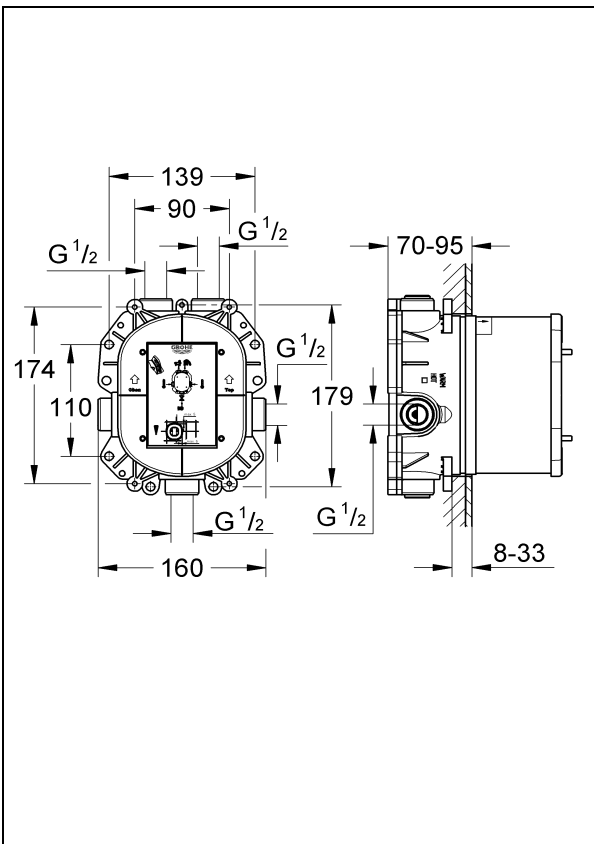
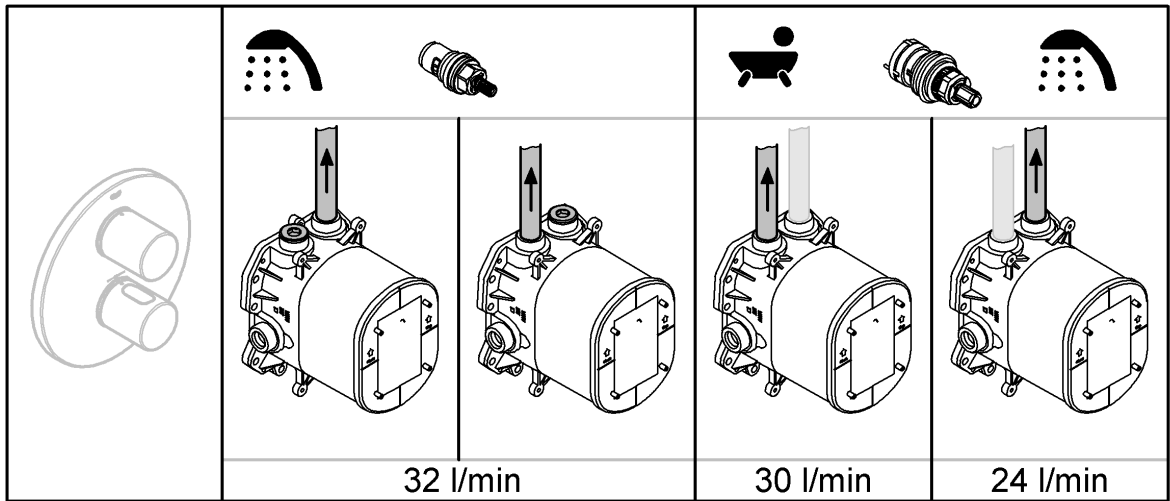
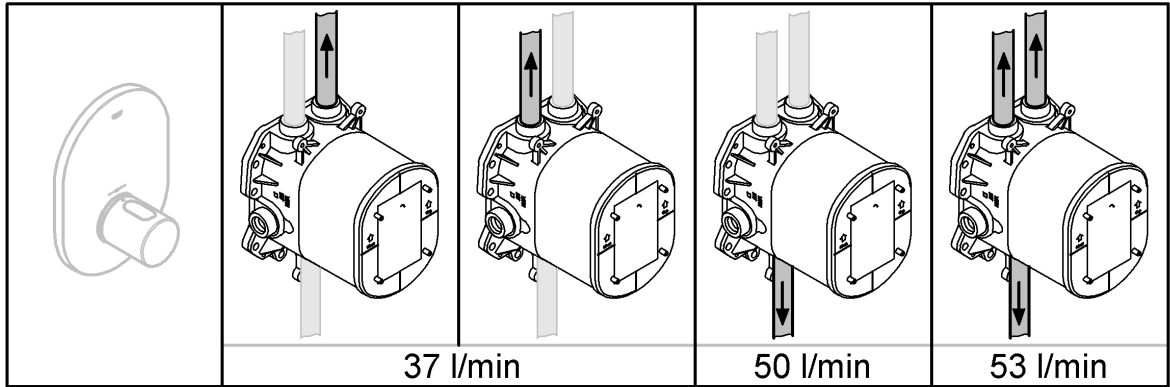
## Rapido T

Design + Engineering GROHE Germany

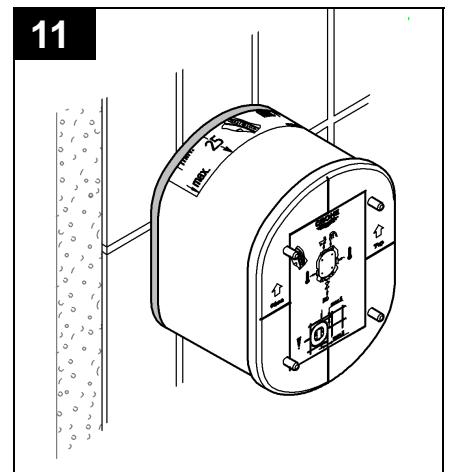
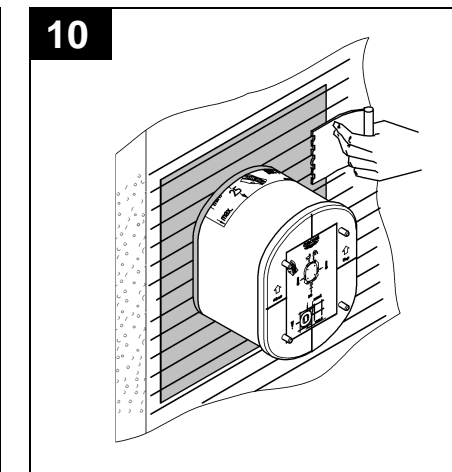
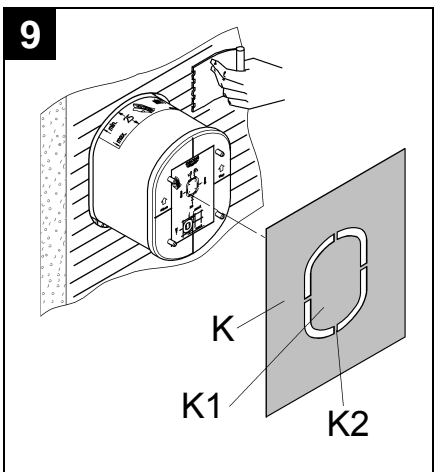
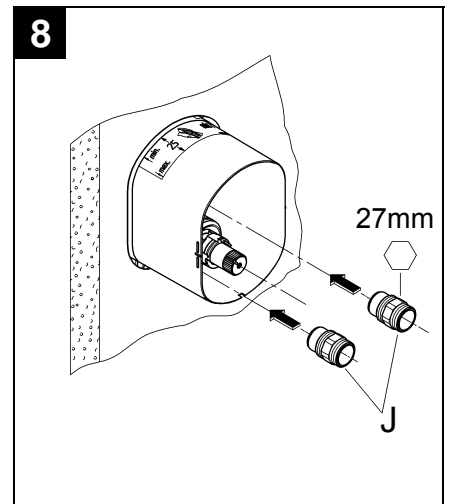
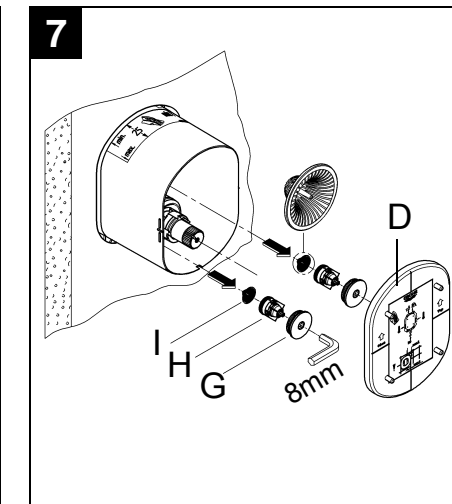
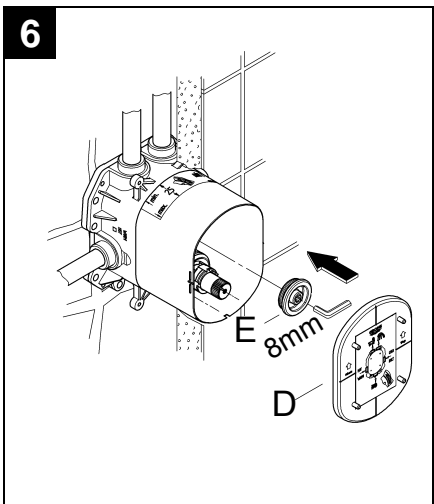
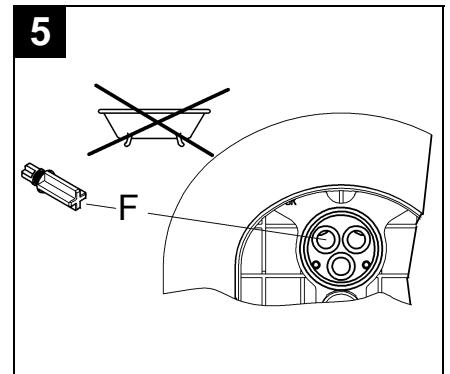
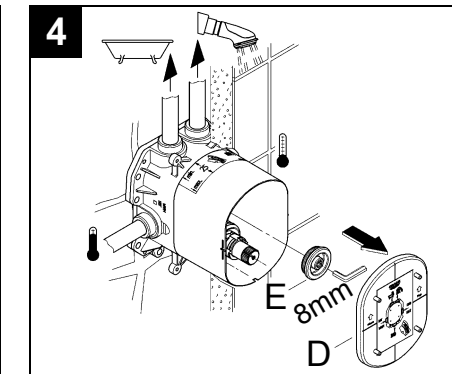
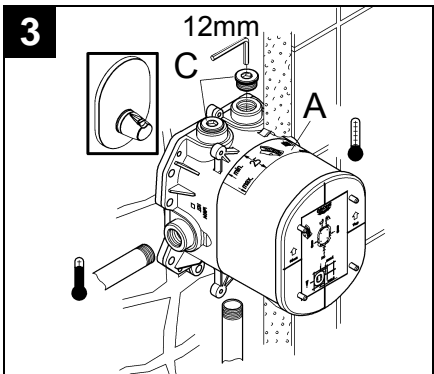
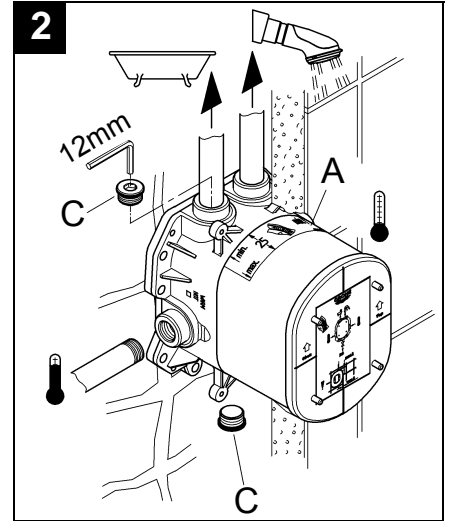
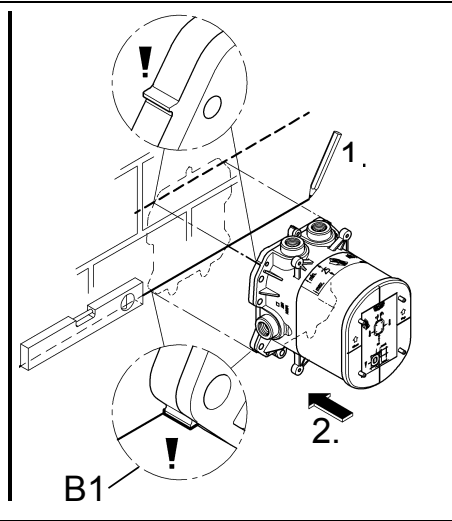
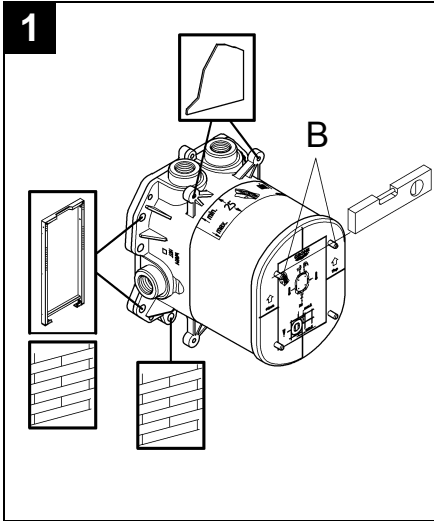
99.0219.031/ÄM 229852/01.14

**GROHE**  
ENJOY WATER®

**i**  
3 bar



Please pass these instructions on to the end user of the fitting!



## Safety and important information

This thermostatic valve will suit supplies of:  
High pressure.

### Conditions of use TMV2

	high pressure	low pressure
max. static pressure	10 bar	10 bar
flow pressure hot/cold	0,5 to 5 bar	0,1 to 1 bar
hot supplied temperature	55 to 65 °C	55 to 65 °C
cold supplied temperature	equal to or less 25 °C	equal to or less 25 °C

**NOTE:** Valves operating outside these conditions cannot be guaranteed by the Scheme to operate as Type 2 valves.

The designation of use is high pressure tub (HP-T) and high pressure shower (HP-S).

If a water supply is fed by gravity then the supply pressure should be verified to ensure the conditions of use are appropriate for the valve.

### Recommended outlet temperature

- 44 °C for bath fill

but:

- 41 °C for shower and washbasin
- 38 °C for bidet

The mixed water temperatures must never exceed 46°C.

The maximum mixed water temperature can be 2°C above the recommended maximum set outlet temperatures.

**NOTE:** 46°C is the maximum mixed water temperature from the bath tap. The maximum temperature takes account of the allowable temperature tolerances inherent in thermostatic mixing valves and temperature losses in metal baths.

### It is not a safe bathing temperature for adults or children.

The British Burns Association recommends 37 to 37.5°C as a comfortable bathing temperature for children. In premises covered by the Care Standards Act 2000, the maximum mixed water outlet temperature is 43°C.

The thermostatic mixing valve will be installed in such a position that maintenance of the TMV and its valves and the commissioning and testing of the TMV can be undertaken.

The fitting of isolation valves is required as close as is practicable to the water supply inlets of the thermostatic mixing valve.

Requirements shall be verified against the original set temperature results once a year.

The installation of thermostatic mixing valves must comply with the requirements of the Water Supply (Water Fittings) Regulations 1999.

The fitting of isolation valves is required as close as is practicable to the water supply inlets of the thermostatic mixing valve.

### Notes

If there is a residual flow during the commissioning or the annual verification (cold water supply isolation test), then this is acceptable providing the temperature of the water seeping from the valve is no more than 2°C above the designated maximum mixed water outlet temperature setting of the valve.

### Application

The Concealed System can be used in conjunction with:

- Pressurised storage heaters
- Thermally/hydraulically controlled instantaneous heaters

Operation with unpressurised storage heaters (displacement water heaters) is **not** possible.

### Use as:

- Bath installation/Shower installation/Central installation

All thermostats are adjusted in the factory at a flow pressure of 3 bar on both sides.

If the Concealed System is installed as a central thermostat, standard mixers can be installed at the draw-off points. In this case, the thermostat mixer supplies hot water to which cold water can be added.

An additional stopcock is only required if further discharge points are to be connected via unused outlets.

### Technical data

Test pressure 16 bar

Flow rate at 3 bar flow pressure (with concurrent use of all discharge points) approx. 53 l/min

### Note when installing the outlet:

Minimum flow rate 5 l/min

Temperature:

Hot water inlet max. 80 °C

Recommended (energy saving) 60 °C

If static pressure exceeds 5 bar, a pressure reducing valve must be fitted.

## Prevention of frost damage

When the domestic water system is drained, thermostats must be drained separately, since non-return valves are installed in the hot and cold water connections. The complete thermostat assemblies and non-return valves must be unscrewed and removed.

---

### Note:

In the case of concealed shower mixers with bath filling and overflow sets, observe the following:

- According to EN1717 an approved safety device is stipulated. A special accessory can be used for this purpose (see Replacement parts, fold-out page I, Prod. no.: 29 007).
- The approved safety device must be installed above the bathtub rim!

---

## Installation

**Installation**, see fold-out page II Fig. [1].

Refer to the dimensional drawing on fold-out page I.

For different installation options, see the pre-drilled holes in Fig. [1].

When installing a GROHE Custom Shower system, an orientation line for further installation boxes must be drawn at the height of the marking, see detail (B1).

Prepare the holes for the thermostatic mixer and slots for the pipes.

**Install the thermostat using the fitting template**, see Figs. [2] and [3].

- The finished surface of the wall must lie within the area (A) of the fitting template.
- The hot water supply must be connected on the left and the cold water supply on the right.

**Align the thermostat**, see Fig. [1].

Place a spirit level on the cams (B) of the fitting template.

**Connect the pipes**, see Figs. [2] and [3].

- When installing as bath mixer, the plug (C) provided must be sealed in the unused outlet (bottom), see Fig. [2].
- When installing as shower mixer, the plug (C) provided must be sealed in the unused outlets (top and bottom), see Fig. [2].
- When installing as central mixer, the plug (C) provided must be sealed in the unused outlet (top), see Fig. [3].

The lower discharge point always requires an additional stopcock.

**A soldered connection is not permissible**, as this could damage the built-in non-return valve.

**Open the cold and hot water supply and check the fitting connections for watertightness.**

**Rapido T in combination with bath filling and overflow sets**, see Fig. [4] to [6].

Stop waterflow to bath filling and overflow sets during the installation with attached plug (F):

1. Remove cover (D), see Fig. [4].
2. Unscrew closer plug (E).
3. Fit plug (F) in the outlet for bath filling and overflow sets, see Fig. [5].
4. Install in screw plug (E), see Fig. [6].
5. Fit cover (D).

### Note:

When assembling the detailed installations, the plug (F) must be removed.

---

**Flush the pipes thoroughly before and after installation** (observe EN 806), see Figs. [7] and [8].

1. Remove the cover (D), see Fig. [7].
2. Close the hot and cold water supply.
3. Remove the screw plug (G).
4. Remove the non-return valve (H) and filter (I).
5. Install the flushing plugs (J) in non-return valve seat recesses, see Fig. [8].
6. Open the hot and cold water supply and flush the pipes thoroughly.
7. Close the hot and cold water supply and remove the flushing plugs (J).
8. Install the filter (I) and non-return valve (H), see Fig. [7].
9. Replace the screw plug (G).
10. Open the cold and hot water supply.

**Fit substrate for sealant**, see Figs. [9] and [10].

1. Apply sealant or adhesive, see Fig. [9].
2. Remove the centre piece (K1) of the substrate (K) by cutting through the tabs (K2).
3. Push the substrate (K) over the fitting template.
4. Apply sealant or adhesive again, see Fig. [10].

**Plaster and tile the wall**, see Fig. [11].

Do **not** cut the fitting template before final installation.

**Replacement parts**, see fold-out page I (\* = special accessories).

**D**  
☎ +49 571 3989 333  
impressum@grohe.de

**A**  
☎ +43 1 68060  
info-at@grohe.com

**AUS**  
**Argent Sydney**  
☎ +(02) 8394 5800  
**Argent Melbourne**  
☎ +(03) 9682 1231

**B**  
☎ +32 16 230660  
info.be@grohe.com

**BG**  
☎ +359 2 9719959  
grohe-bulgaria@grohe.com

**CAU**  
☎ +99 412 497 09 74  
info-az@grohe.com

**CDN**  
☎ +1 888 6447643  
info@grohe.ca

**CH**  
☎ +41 448777300  
info@grohe.ch

**CN**  
☎ +86 21 63758878

**CY**  
☎ +357 22 465200  
info@grome.com

**CZ**  
☎ +420 277 004 190  
grohe-cz@grohe.com

**DK**  
☎ +45 44 656800  
grohe@grohe.dk

**E**  
☎ +34 93 3368850  
grohe@grohe.es

**EST**  
☎ +372 6616354  
grohe@grohe.ee

**F**  
☎ +33 1 49972900  
marketing-fr@grohe.com

**FIN**  
☎ +358 10 8201100  
teknocalor@teknocalor.fi

**GB**  
☎ +44 871 200 3414  
info-uk@grohe.com

**GR**  
☎ +30 210 2712908  
nsapountzis@ath.forthnet.gr

**H**  
☎ +36 1 2388045  
info-hu@grohe.com

**HK**  
☎ +852 2969 7067  
info@grohe.hk

**I**  
☎ +39 2 959401  
info-it@grohe.com

**IND**  
☎ +91 124 4933000  
customercare.in@grohe.com

**IS**  
☎ +354 515 4000  
jonst@byko.is

**J**  
☎ +81 3 32989730  
info@grohe.co.jp

**KZ**  
☎ +7 727 311 07 39  
info-cac@grohe.com

**LT**  
☎ +372 6616354  
grohe@grohe.ee

**LV**  
☎ +372 6616354  
grohe@grohe.ee

**MAL**  
☎ +1 800 80 6570  
info-singapore@grohe.com

**N**  
☎ +47 22 072070  
grohe@grohe.no

**NL**  
☎ +31 79 3680133  
vragen-nl@grohe.com

**NZ**  
☎ +09/373 4324

**P**  
☎ +351 234 529620  
commercial-pt@grohe.com

**PL**  
☎ +48 22 5432640  
biuro@grohe.com.pl

**RI**  
☎ +62 21 2358 4751  
info-singapore@grohe.com

**RO**  
☎ +40 21 2125050  
info-ro@grohe.com

**ROK**  
☎ +82 2 559 0790  
info-singapore@grohe.com

**RP**  
☎ +63 2 8041617

**RUS**  
☎ +7 495 9819510  
info@grohe.ru

**S**  
☎ +46 771 141314  
grohe@grohe.se

**SGP**  
☎ +65 6 7385585  
info-singapore@grohe.com

**SK**  
☎ +420 277 004 190  
grohe-cz@grohe.com

**T**  
☎ +66 2610 3685  
info-singapore@grohe.com

**TR**  
☎ +90 216 441 23 70  
GroheTurkey@grome.com

**UA**  
☎ +38 44 5375273  
info-ua@grohe.com

**USA**  
☎ +1 800 4447643  
us-customerservice@grohe.com

**VN**  
☎ +84 8 5413 6840  
info-singapore@grohe.com

**AL** **BIH** **HR** **KS**  
**ME** **MK** **SLO** **SRB**  
☎ +385 1 2911470  
adria-hr@grohe.com

**Eastern Mediterranean,  
Middle East - Africa  
Area Sales Office:**  
☎ +357 22 465200  
info@grome.com

**IR** **OM** **UAE** **YEM**  
☎ +971 4 3318070  
grohedubai@grome.com

**Far East Area Sales Office:**  
☎ +65 6311 3600  
info@grohe.com.sg