

HERITAGE[®]

BATHROOMS

Installation Instructions and User Guide

Models covered: Fitted Furniture

Please keep this booklet for future reference.

Installer: when you have read these instructions please ensure you leave them with the user.

Contents

When you buy a Heritage product, you can be confident that it not only features a beautiful, distinctive, classic design, but that it has also been made to the very highest quality standards. To ensure that it works to its full potential, it needs to be fitted correctly.

These fitting instructions have been created to give you all of the information you need and, if you need any further help, please do not hesitate to give us a call on **0844 701 8503**.

Important Safety Information

Installation Requirements

. Base Unit	04
. Wall Unit	05
. Vanity Unit	06
. Door & Panels	07-08
. Maintenance & Guarantee	09





Safety Note

- Please read these instructions & retain for future use. All products manufactured & supplied by Heritage are safe, provided they are installed correctly, used correctly, and receive regular maintenance in accordance with these instructions.
- **If you are in any doubt about your ability to install this product safely you must employ the services of an experienced, qualified plumber.**



Before starting any installation project please consider the following:

- Prior to drilling into walls, check there are no hidden electrical wires or cables or water supply pipes with the aid of an electrical detector.
- If you use power tools do not forget:
 - Wear eye protection.
 - Unplug equipment after use.
 - This is a heavy product & will require a two man lift.
- This product must not be modified in any way as this will invalidate the guarantee.



Installation Sequence.

1. All hot and cold services 'T' off at appropriate position.
2. Locate waste outlets according to plan.
3. Fix base units to the wall.
4. Fit countertop
5. Fit sanitaryware
6. Fit wall cupboards where appropriate.
7. Connect and check plumbing.
8. Fit continuous plinth if used, scribing as necessary.

Important.

All units should be assembled and fitted using instructions and installation guidelines provided. Any screws and other fixings used must be suitable for the installation situation. (Brick, Block, Plaster or Dot & Dab) and provide adequate support to the units when loaded.

Base Units – Legs boss & Legs.

Position leg bosses as shown and screw fix into place using 8 screws (supplied) into pilot holes on underside of base panel (see fig 1).

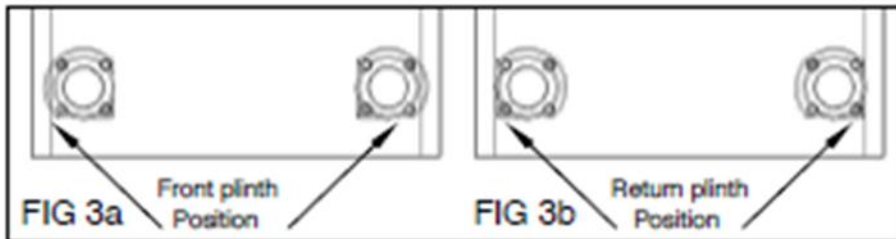
Position leg bosses so that flat face is to the front of the unit and curved section overlaps the unit end panel (see fig 3a).

If a return plinth is required turn the boss to present a flat face to the front of unit and return end (see fig 3b).

Place adjustable leg and 50mm extension collar into leg boss (see fig 1 & 2).

Turn foot or leg clockwise or anti-clockwise to adjust height.

WC UNIT LEGS. Knock leg boss into holes (located on side panel) . Screw fix each boss using screws provided (see fig 2).

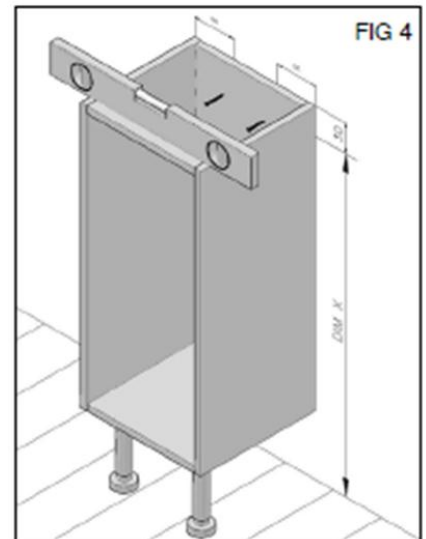
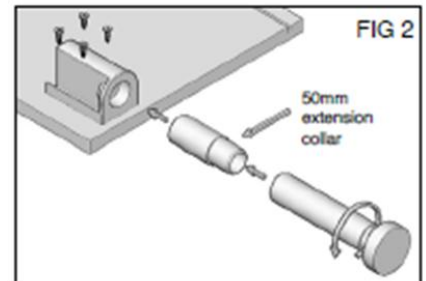
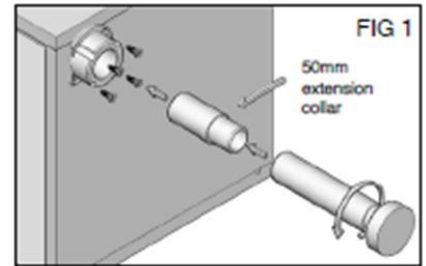


Base Units – Fitting Units.

Position base unit against the wall at required height. Use a spirit level to check that the unit is plumb and level (see fig 4). Drill two holes through the back panel evenly spaced approx 50mm down from the top edge of back panel. Fix to wall using suitable fixings (Not Supplied).

Vanity & WC Units – Fitting Units.

Position vanity unit & WC unit against the wall at required height. Use a spirit level to check that the unit is plumb and level (see fig 4). Drill two holes through the back rail evenly spaced approx 30mm down from the top edge of the rail. Fix to wall using suitable fittings (Not Supplied).





Wall Units.

When fitting wall suspension plates a datum line should be marked on the wall at the required height. Using the dimensions shown (see fig 5) fix suspension plates to the wall using suitable fixings for the wall type (Not Supplied).

Units may now be hung onto the plates and levelled using adjuster screws in the hanging brackets (see fig 6).

Once the unit has been positioned correctly fit blanking plugs.

Curved Open End Units

Secure the open end unit to the adjacent wall unit, use 1" screws x 4 (Not Supplied) screw directly through the side panel of wall unit into the side panel of the curved unit, ensure both units are level. Once the curved wall unit is secured to the adjacent wall unit, mount both units onto the wall. Follow fittings instructions as above.

(Please note DO NOT use any larger screws than 1" in length)

Plinth/Return Fitting.

Screw fix plinth support clips to the rear of the plinth using screws provided (see fig 7).

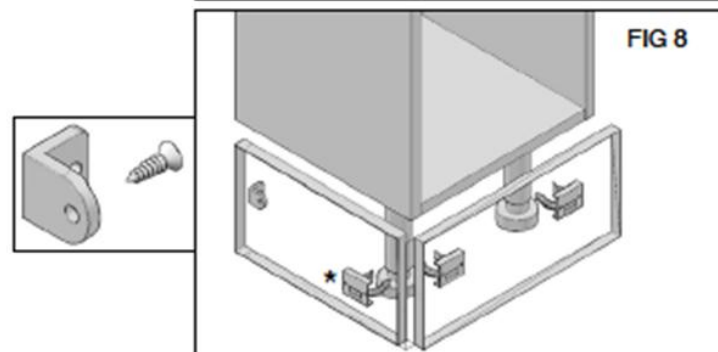
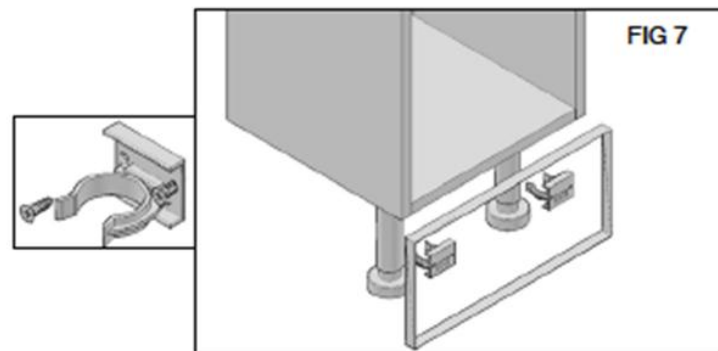
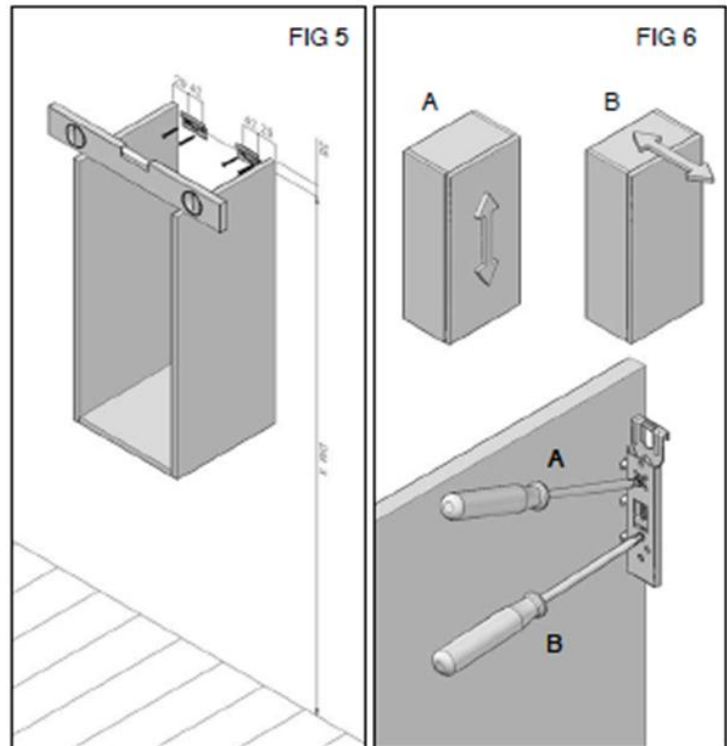
If a return plinth is required 2 x plinth clips should be fitted to the front leg (see fig 8). The return plinth should be supported at the rear by fitting a bracket between the rear wall and the plinth (see fig 8).

NOTE: * For return end plinth, the plinth clip should be re-positioned so it does not interfere with the front plinth clip.

Gable End

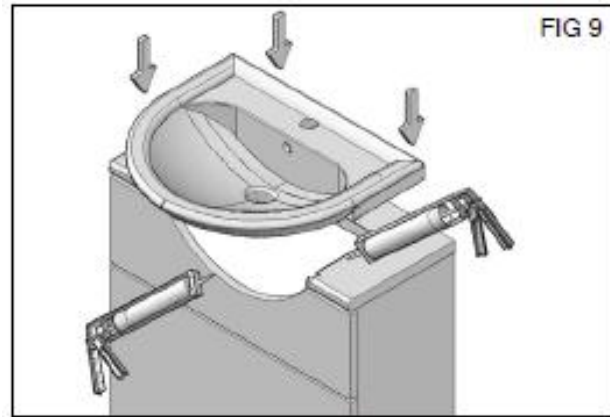
Secure the gable end to the adjacent unit, use 1" screws (Not Supplied). Screw directly through the side panel of the adjacent unit into the gable end. Check both units are level before finally securing in place.

(Please note DO NOT use any larger screws than 1" in length)



Vanity Units.

Ensure that the basin flange butts up against the fascia panel. Seal any cut edges with suitable waterproofing agent (see fig 9).



WC Unit.

Make cut-outs in the front fascia of the WC base unit for the outlet soil pipe, the WC inlet pipe and the cistern flush button.

Measure the diameters of the inlet and outlet holes, and the height of the inlet and outlet trap on the pan, from the centre of each of the holes to the floor accurately before making the cut outs. The diagram opposite gives example sizes only.

The cistern push button should be installed in the upper front furniture fascia. The size of the hole required is dependent on the style of the push button used. Measure the button before cutting. It is advisable to position it on the horizontal centre -line of the fascia panel, at least 85mm from the side edge of the fascia, to enable it to be reversed if necessary.

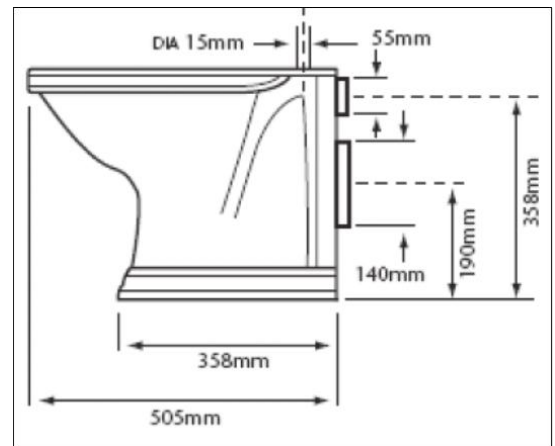
The cistern should be mounted centrally within the furniture at 800mm (floor to the top of the cistern lid). In some cases, it may be necessary to fix the cistern to an additional batten screwed to the rear wall.

The cistern should be assembled according to the cistern fitting instructions. It will be necessary to cut the flush pipe in the horizontal and vertical positions.

Seal all cut edges with a suitable waterproofing agent.

Under no circumstances should wall hung WC pans or bidets be screwed directly to the fascia panel, as this will not adequately support the weight. The appropriate cistern brackets or frame should be used.

(WC Unit Continued on next page)





Fascia Removal.

1. Carefully lever top fascia forward to remove (see fig 10).
2. Lift the bottom fascia upwards until it becomes free from the black clips (see fig 10 & 11).

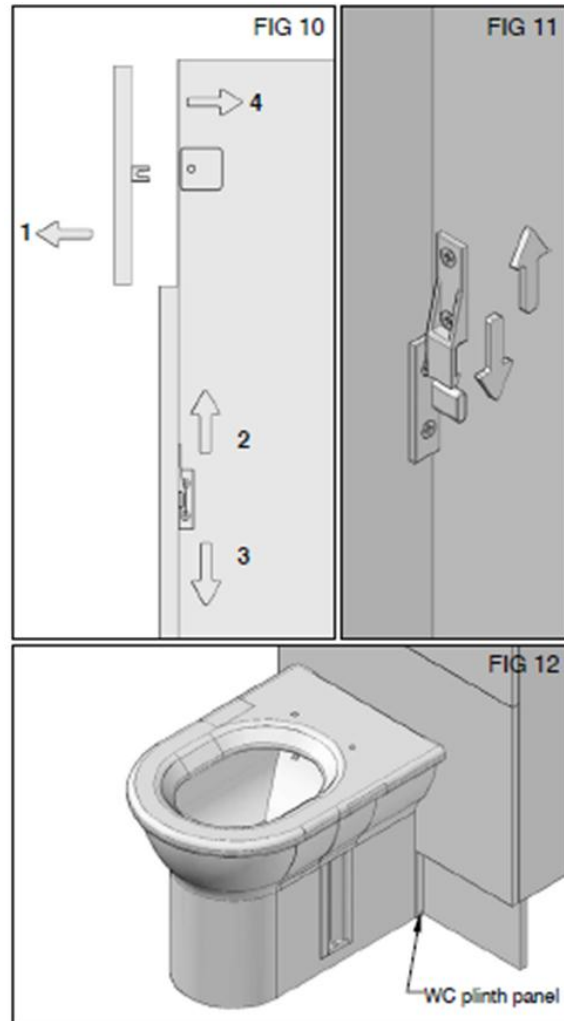
Replacing Fascia.

3. Fit bottom fascia, align with black clips and push down into position (see fig 10 & 11).
4. Fit top fascia (see fig 10).

When re-fitting fascia panels, ensure that the bottom fascia is attached first, then clip the top fascia into place (see fig 10).

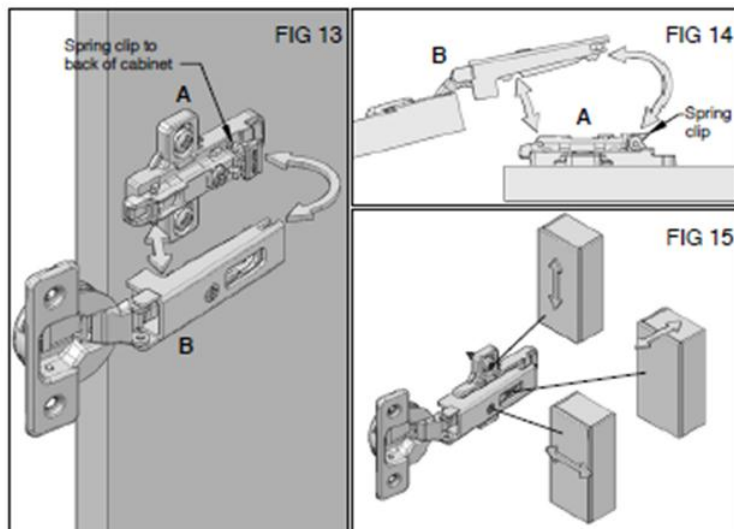
Attaching Plinth Filler Panel.

Push plinth filler panel in the recess between WC pan and continuous plinth, Use gunnable mastic to secure the plinth filler panel and seal any joints (see fig 12).



Door Removal and Adjustment.

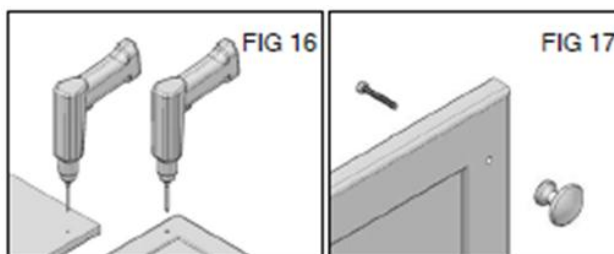
To remove door, press the rear spring clip at the back of the hinge plate (A) to release the hinge (B) from the plate, always unclip the bottom hinge first (see fig 13 & 14). Align the door as shown in (fig 15).



Door Handles.

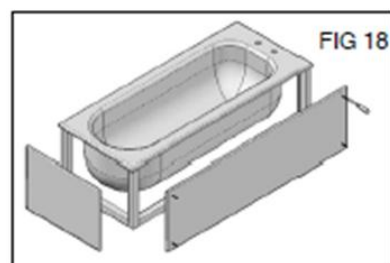
For all finishes place the door on a firm flat piece of clean scrap material.

Mark the handle position you require and drill a 1mm pilot hole through from the face of the door, turn over the door and drill a 5mm hole through (see fig 16). Fix the handle(s) with the screw(s) provided (see fig 17).



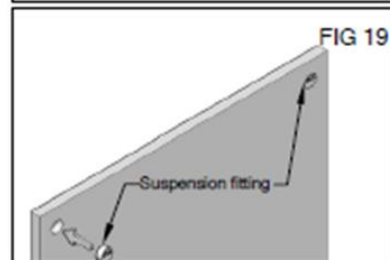
Bath Panels.

The bath panel front (00,01 & 03) is fitted by sliding the top of the panel under the rim of the bath. If fitting a bath panel end (04,05 & 06), please ensure that this is fitted first (see fig 18). Alternatively a frame can be constructed around the bath and then the panels screwed to it (fittings not supplied). Magnetic fittings can be also used this will enable the panels to be easily removed (fittings not supplied).



Mirror Back Panels.

Push the suspension fittings into the holes in the back of the panel (see fig 19). Determine the position on the wall. Fix appropriate fixings to the wall at the desired height making sure that there is enough of the fixing protruding to hang the suspension fitting on. It is recommended that all the suspension fittings provided are used for fixing the item to the wall.





Maintenance

General Cleaning

Your fitting has a high quality finish and should be treated with care to preserve the visible surfaces. All finishes will wear if not cleaned correctly. The only safe way to clean your product is to wipe with a soft damp cloth. Stains can be removed using washing up liquid. All bathroom cleaning products (powders and liquids) will damage the surface of your fitting, even the non-scratch cleaners.

Note: Never use abrasive detergents or disinfectants or those containing alcohol, hydrochloric acid or phosphoric acid.



Heritage Bathrooms Guarantee

When you buy a Heritage product, you can be confident that it not only features distinctive design, but that it has also been made to meet our rigorous quality standards.

We offer robust guarantees and an attentive aftercare service to ensure that if you do experience any issues, we can deal with a problem quickly, and effectively.

Please note that guarantees are only valid with proof of purchase.

Our guarantees are as follows:



2 Years on
Mirrors &
WC Seats



5 Years on
Bath Screens,
Furniture,
Shower Valves,
Taps, Wastes
& Accessories



Lifetime Guarantee
on Acrylic &
Cast Iron Baths
And Sanitaryware

Register now for additional peace of mind

Register your product with us now and, if you do have any queries after installation, we'll be able to quickly identify the product and give you the best advice. It also means that you won't have to keep your proof of purchase to validate your guarantee. To register, simply go online at www.heritagebathrooms.com/register

Guarantee Terms and Conditions

This guarantee is in addition to your statutory and other legal rights and is subject to the following conditions:

- The product was purchased within the United Kingdom or Republic of Ireland
- The product is used in domestic applications only
- The guarantee applies solely to the original purchaser with proof of purchase
- The installation must allow ready access to all products for the purpose of inspection, maintenance or replacement
- Repair under this guarantee does not extend the original expiry date. The guarantee on any replacement parts or product ends at the original expiry date

Any part found to be defective during the guarantee period will be replaced without charge, providing that the product has been installed in accordance with the instructions given in this guide and used as the manufacturer intended. If the product is no longer available, Heritage will endeavour to provide the nearest equivalent.





Heritage Bathrooms Guarantee Cont.

The guarantee does not cover:

- Damage or defects caused by
 - General wear and tear (including special non-chrome finishes; components such as filters, seals, 'O' rings and washers)
 - Incorrect installation
 - Repair using non-Heritage parts
 - Accidental or wilful misuse
 - Corrosion and the use of inappropriate cleaning products.
 - System debris including the build-up of limescale (which can be controlled through regular servicing and maintenance)
- Compensation for loss of use of the product or consequential loss of any kind.

In the interests of continuous product improvement, Heritage reserves the right to alter product specifications without notice.

Need help?

In the unlikely event that you encounter a problem with your Heritage product, you must, in the first instance, contact the retailer you purchased it from. They will advise as to whether it is due to a manufacturing fault or an installation fault. If the problem is due to a manufacturing fault, they will contact us to arrange a supply of a replacement product as soon as possible. To speak to a Heritage customer service advisor, please contact our technical helpline on **0844 701 8503**.





Heritage Bathrooms
Birch Coppice Business Park
Dordon
Tamworth
B78 1SG

Website: www.heritagebathrooms.com

Telephone: 0844 701 8503

Email: technical@heritagebathrooms.com

HFI Ref 316384 (Fitted Furniture) REV. D4

