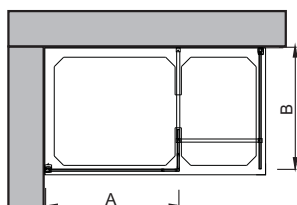
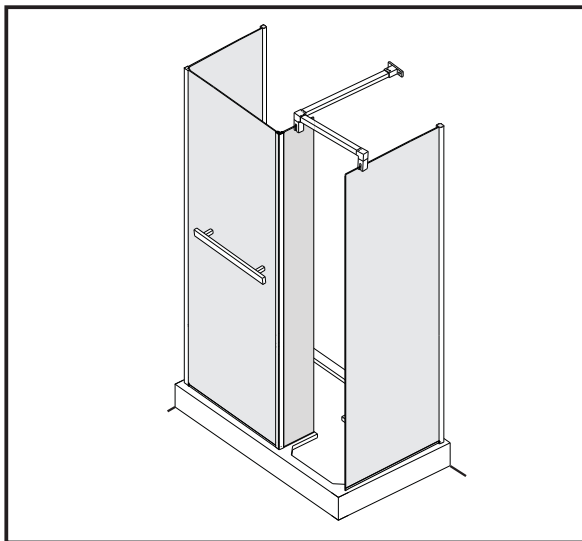


WALK IN

14X8WKA 14X9WKA 17X76WKA 14X8WKB 14X9WKB 17X76WKB



CODE	TRAY Sizes	Adjustment Min-Max A
14X8WKA	1410X810	830-850MM
14X9WKA	1450X910	860-880MM
17X76WKA	1680X760	1115-1135MM
CODE	TRAY Sizes	Adjustment Min-Max B
14X8WKB	1410X810	740-760MM
14X9WKB	1450X910	840-860MM
17X76WKB	1680X760	690-710MM

IMPORTANT CHECK LIST PLEASE ENSURE

- The walls are reasonably flat and that the shower tray is level, properly sealed, and drains correctly before starting to install the enclosure.
- Be careful to check there are no pipes or cables where drilling.
- Check the shower door is the correct size for the tray (see measurements below).
- Check there are no visual defects on the shower door (as claim will not be accepted after installation).
- Check proper fixings are used when installing on a cavity wall.
- Check all parts needed are included in box.

Cleaning Instructions:

- It is important to clean your Matrix shower enclosure after every use.
- Please wipe down all the glass and metal parts with a clean soft cloth.
- Ensure that all residue water on the glass is removed after every use.
- Clean the glass regularly with hot soapy water. Do not use any chemicals on the surface.
- Do not allow limescale to build up on your Matrix enclosure.
- Do not use any abrasive products on any surface.
- Install your enclosure in a well ventilated room.

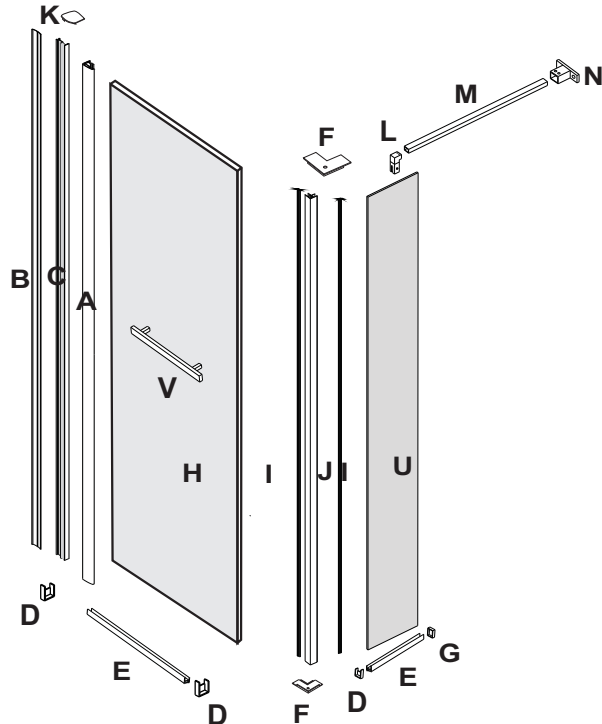
Please keep this manual and product code number for future reference and replacement parts ordering if necessary.

**EASY
CLEAN**

**EASY
FIT**

**MATRIX
LIFETIME
GUARANTEE**

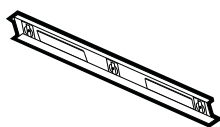
BUY WITH CONFIDENCE



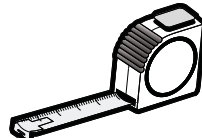
ENCLOSURE PART A

	Drawing	DISCRIPTION	Qty		Drawing	DISCRIPTION	Qty
A		Wall profile	1	L		Clip of tie Bar	1
B		Cover stirp	1	M		Tie bar 680mm for 14X8WKA 780mm for 14X9WKA	1
C		Wall profile	1	N		Wall joint	1
D		End cover for chrome strip	4	O		Ceiling joint	1
E		Chrome strip 780mm,236mm for 14X8WKA 810mm,236mm for 14X9WKA	2	P		Wall plug	4
F		End cover for corner post	2	Q		ST4X45 Wall profile screw	5
G		End cover for chrome strip	2	R		ST3.5X10 Inner profile screw	4
H		Glass 810*1891*10 for 14X8WKA 840*1891*10 for 14X9WKA	1	S		Logo label	1
I		Gasket	2	T		Hex wrench	1
J		Corner post	1	U		Glass 250*1891*10 for 14X8WKA and 14X9WKA	1
K		End cover	2	V		Towel bar	1

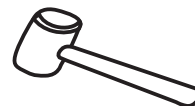
TOOLS REQUIRED



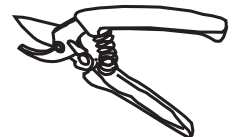
LEVEL



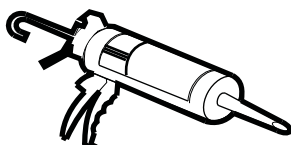
TAPE MEASURE



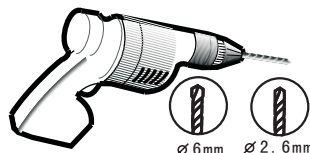
MALLET



PLIERS



SILICONE



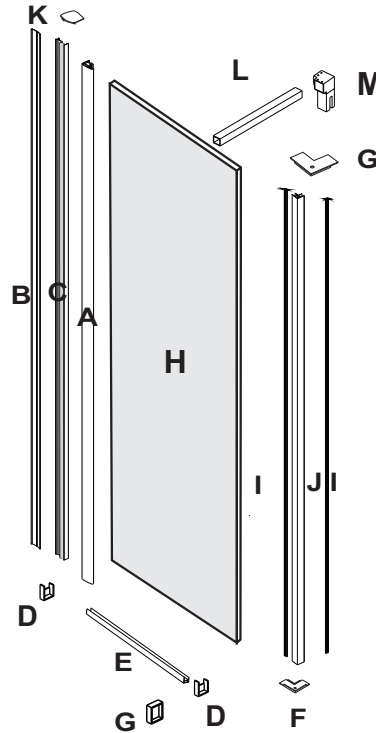
DRILL



SCREW DRIVER



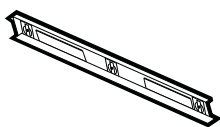
PENCIL



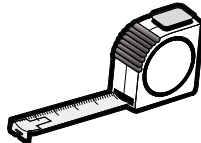
SIDE PANEL PART B

	Drawing	DISCRIPTION	Qty		Drawing	DISCRIPTION	Qty
A		Wall profile	1	K		End cover	2
B		Cover strip	1	L		Tie bar 680mm for 14X8WKA 780mm for 14X9WKA	1
C		Wall profile	1	M		Clip of tie Bar	1
D		End cover for chrome strip	2	N		Wall joint	1
E		Chrome strip 728mm for 14X8WKA 828mm for 14X9WKA	1	O		Ceiling joint	1
F		End cover for corner post	2	P		Wall plug	4
G		End cover for chrome strip	2	Q		ST4X45 Wall profile screw	5
H		Glass 743*1891*10 for 14X8WKA 843*1891*10 for 14X9WKA	1	R		ST3.5X10 Inner profile screw	4
I		Gasket	2	S		Logo label	1
J		Corner post	1	T		Hex wrench	1

TOOLS REQUIRED



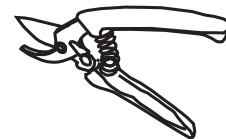
LEVEL



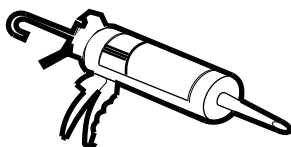
TAPE MEASURE



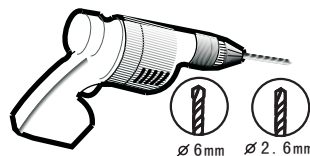
MALLET



PLIERS



SILICONE



DRILL

Ø 6mm Ø 2.6mm

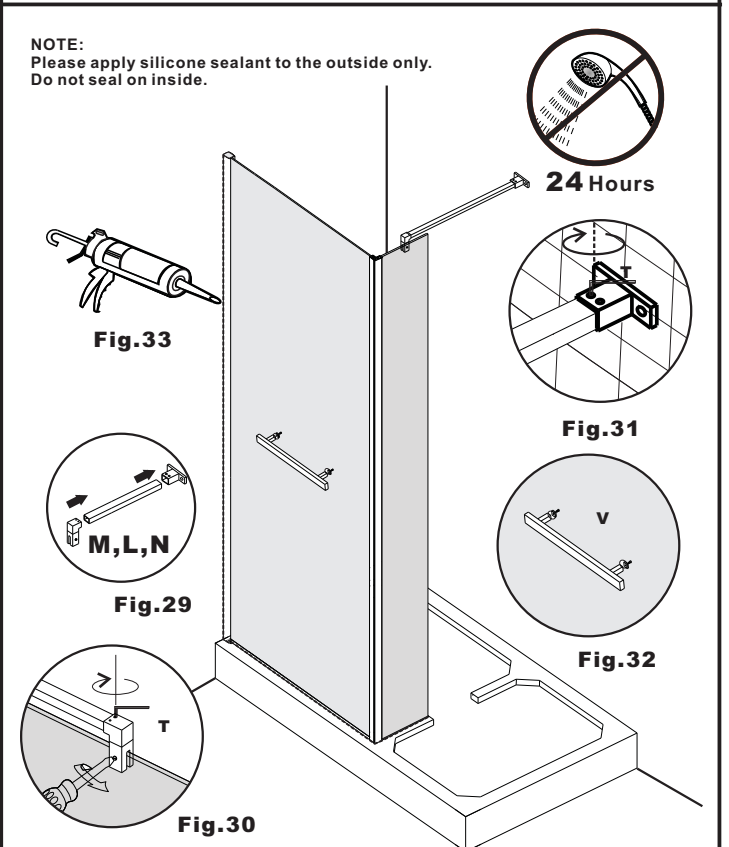
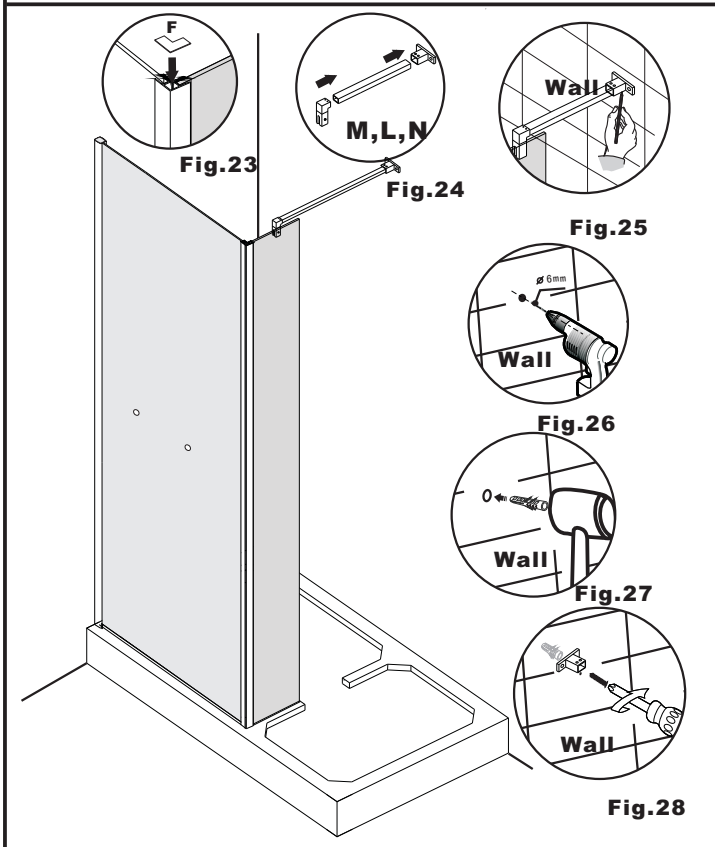
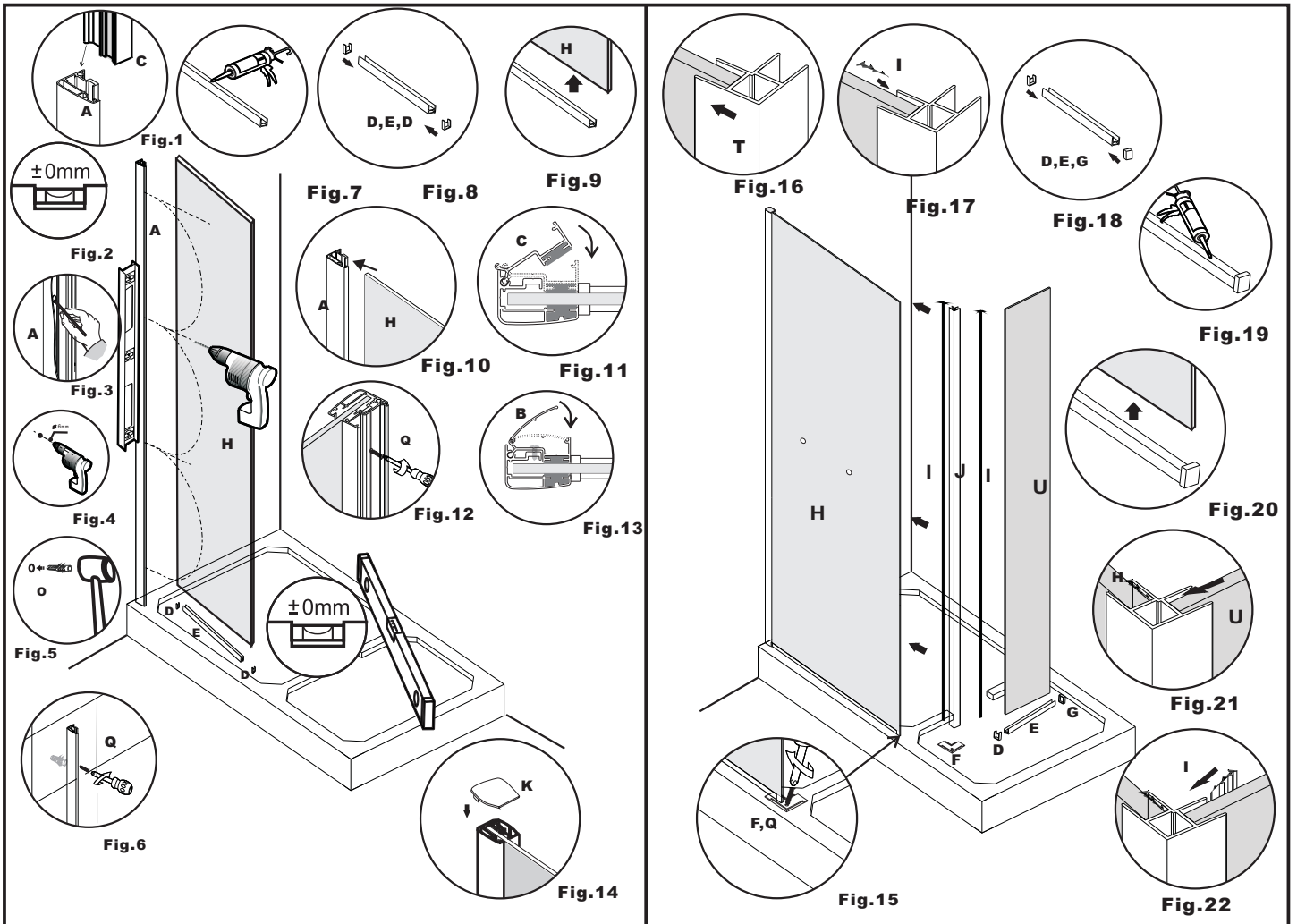


SCREW DRIVER

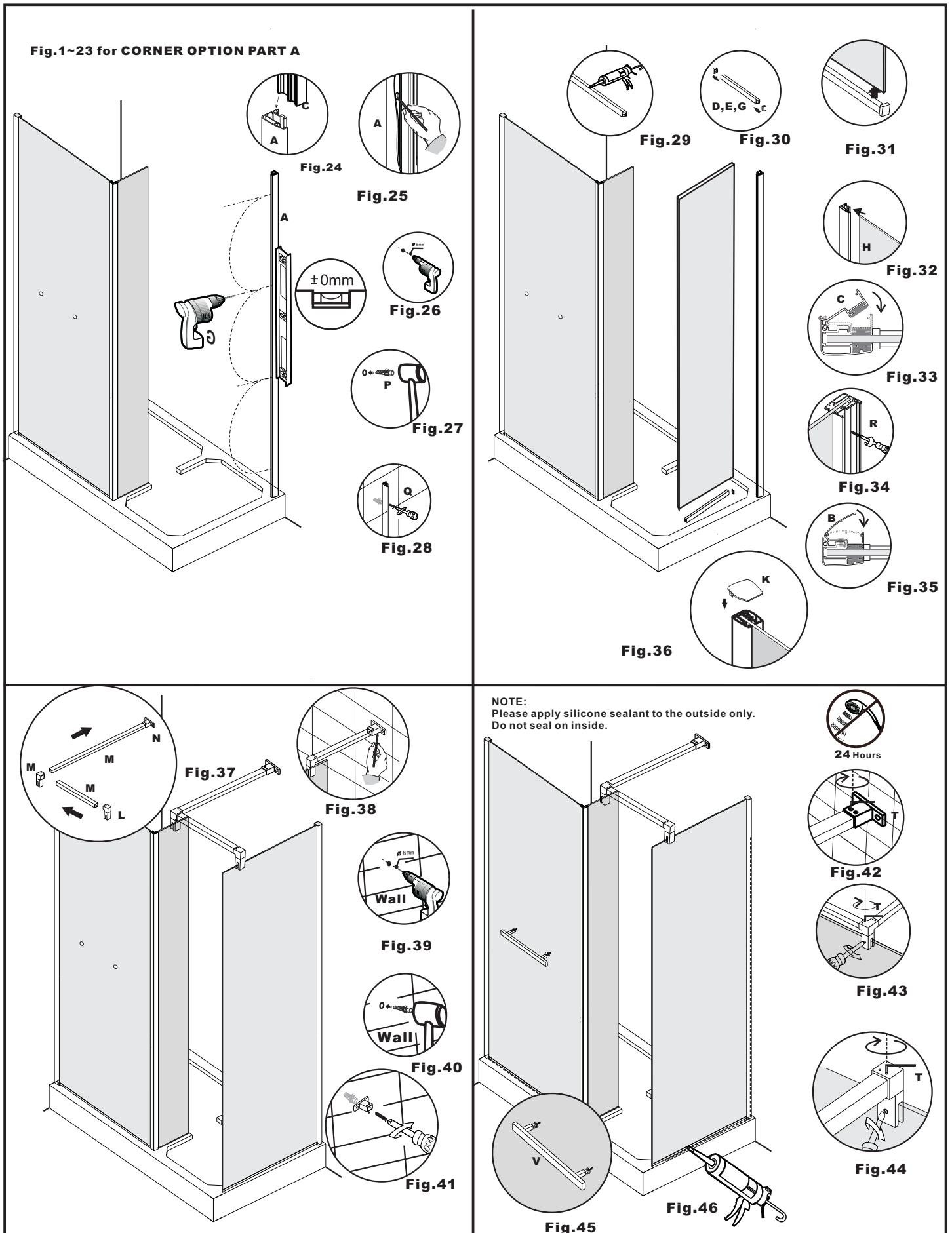


PENCIL

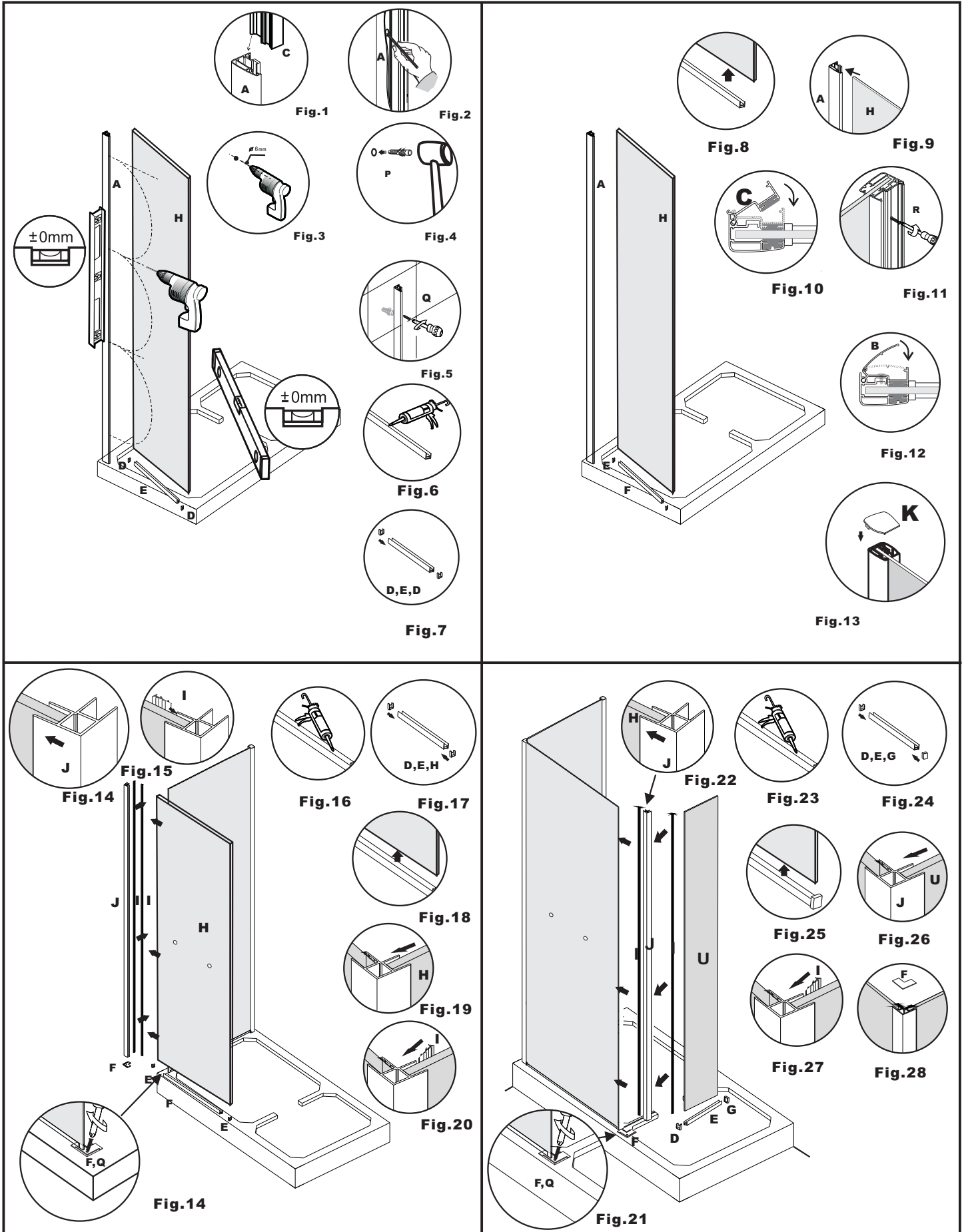
CORNER OPTION PART A

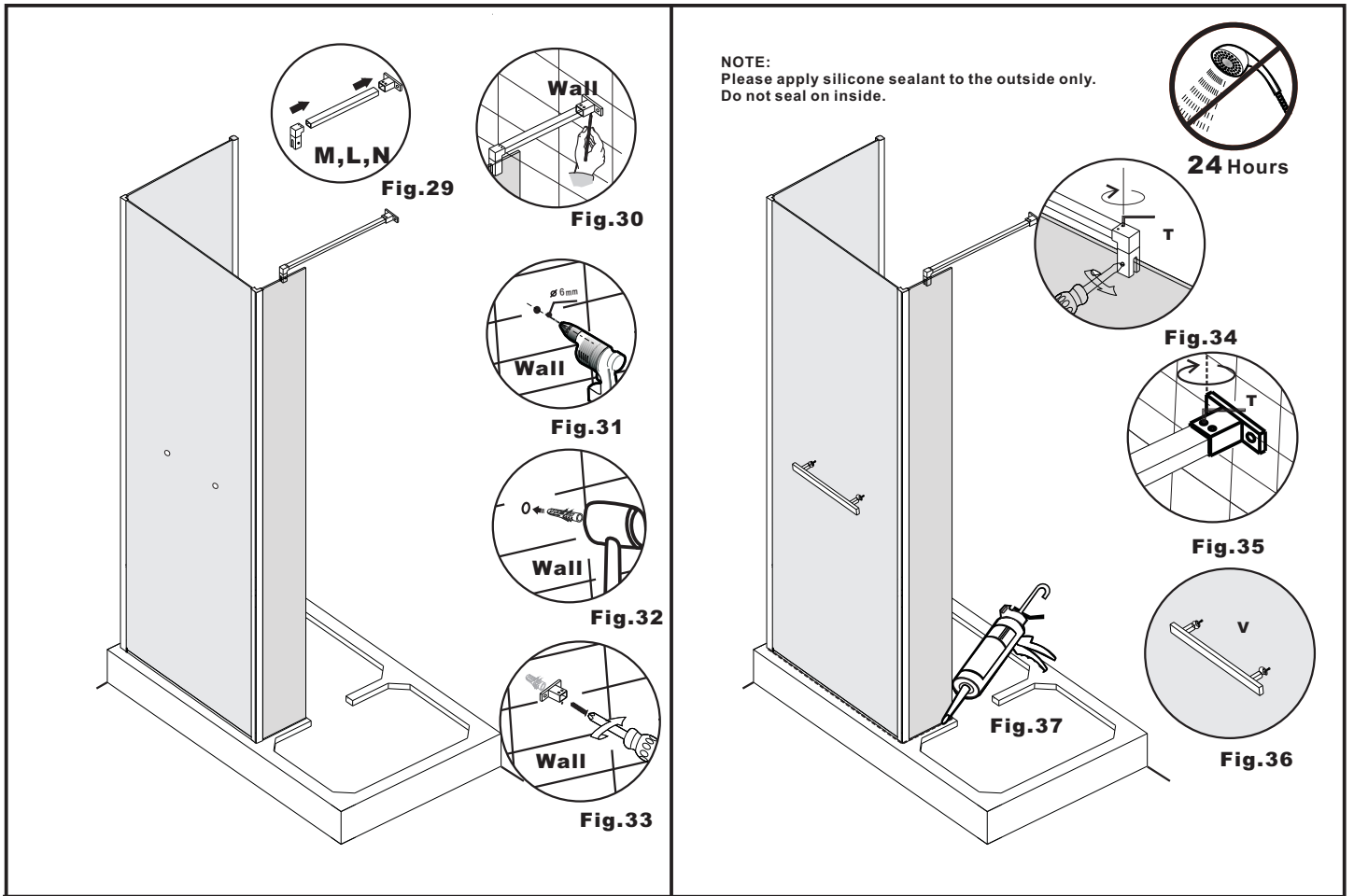


CORNER OPTION PART A+B



WALL OPTION PARTA A+B





WALL OPTION PARTA A+B+B

