

# CORATECH® SHOWERTRAY

800 / 900 &amp; OFFSET QUADRANT SHOWERTRAY

Please read these instructions carefully and keep for future reference. Incorrect fitting will invalidate the guarantee.

Check contents of pack before installation. If there is anything missing, contact our Customer Careline for assistance: 01746 713410

## SAFETY





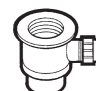

- Make sure there are no hidden pipes or cables in the floor or walls where you intend to drill.
- Wear safety goggles, shoes and appropriate clothing.

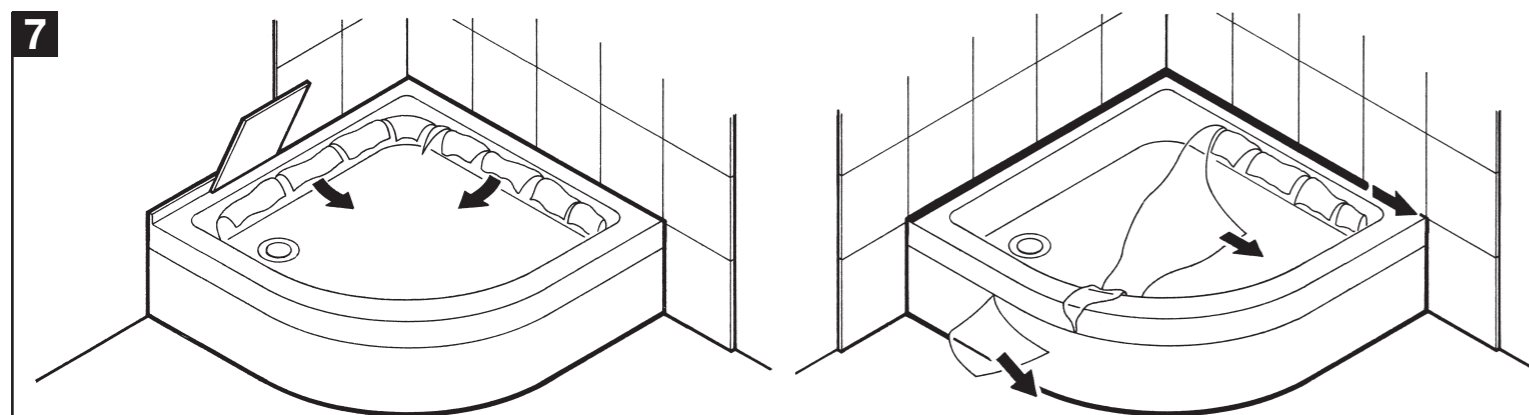
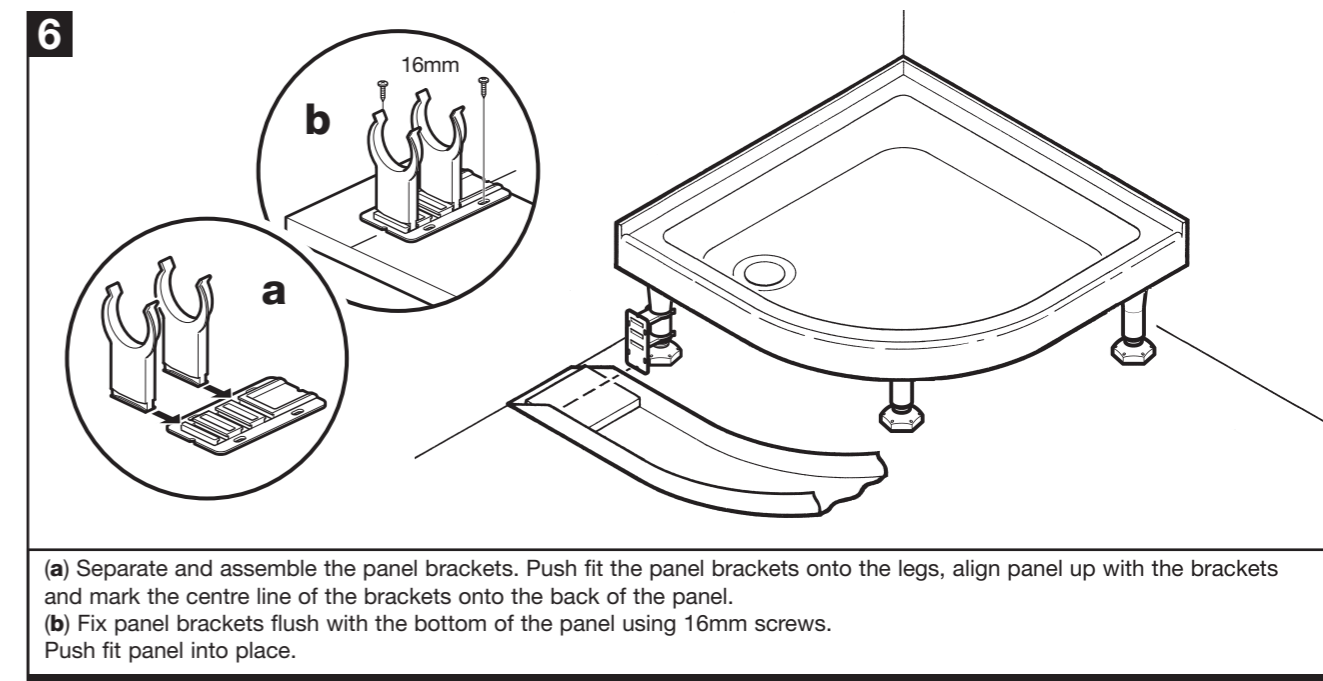
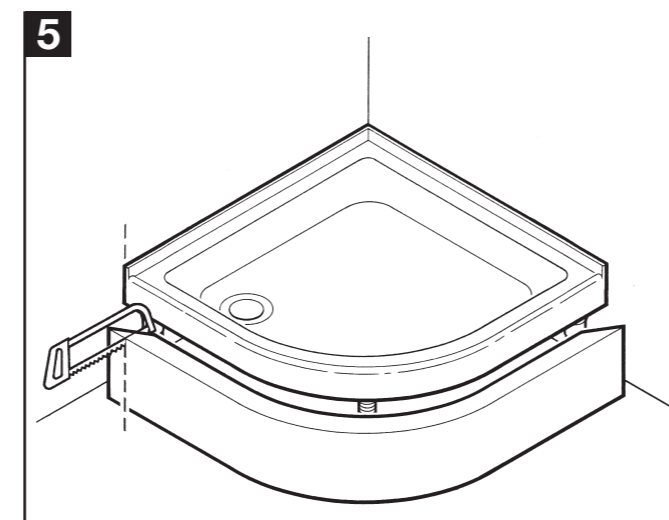
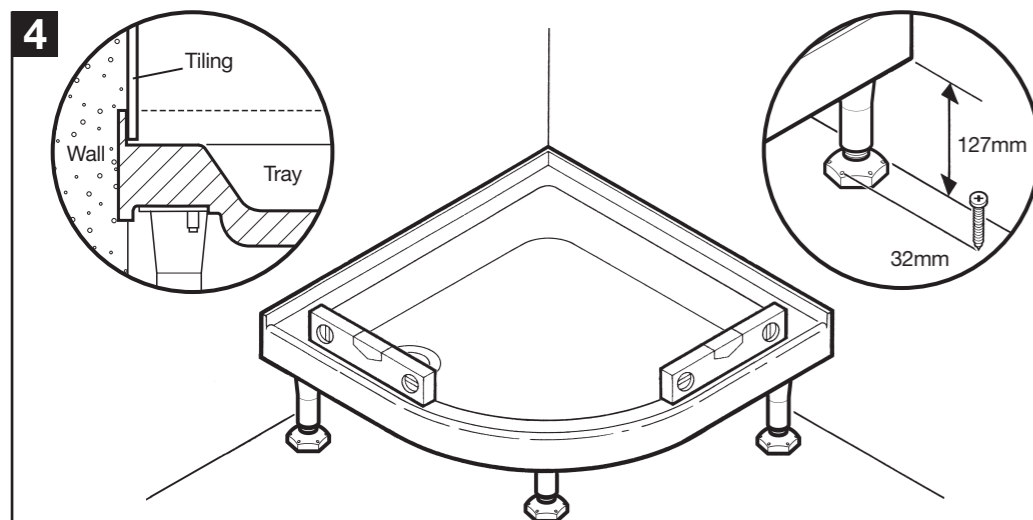
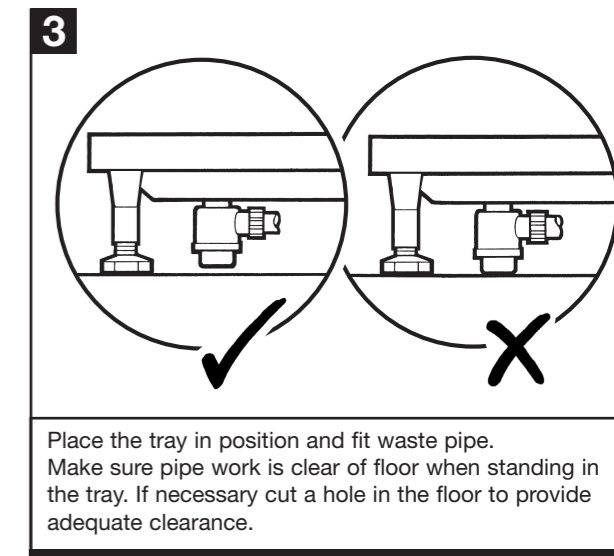
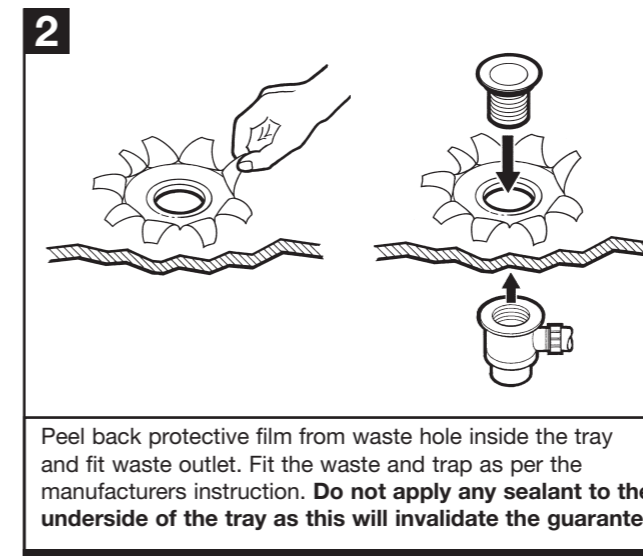
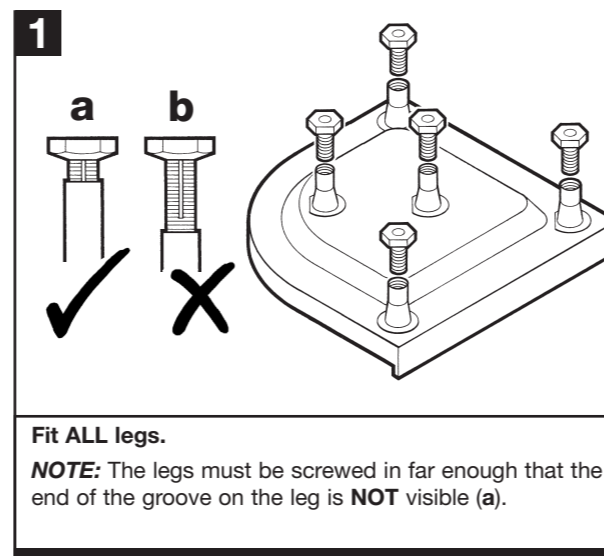
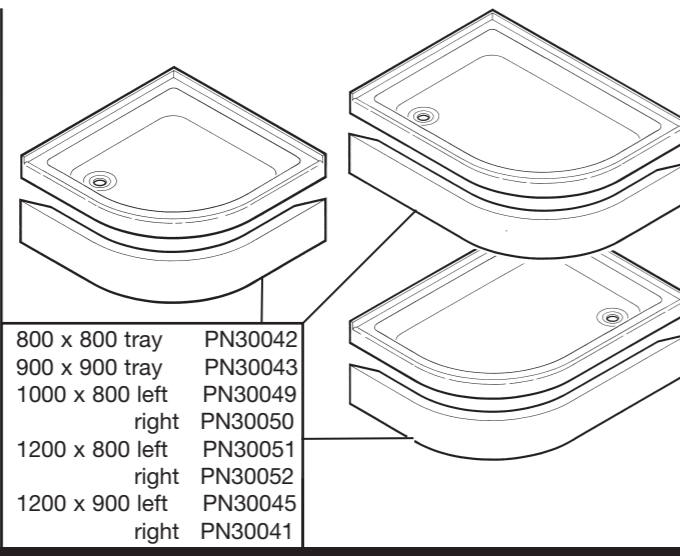
## EQUIPMENT NEEDED

Crosshead Screwdriver, Spirit Level, Pencil, Fine Tooth Saw, Ruler, Masking Tape, Silicone Sealant.

## FINISHING

- Once fitted the showertray must be tiled in place.
- Acrylic sealants, plumbers putty or mastic will damage the surface of the showertray.

	PN60138 16mm	8
	PN60139 32mm	6
	PN50193	5 800/900 Quadrant
	PN50237	9 Offset Quadrant
	PN60171	2
		1



Peel back protective film from back edges of tray. **Tile over the upstands. Seal the wall edges of tray with silicone sealant.** When the final installation of the enclosure is complete, remove the remaining protective film.

## IMPORTANT

You must not use or work on the showertray for 24 hours after installation.

**DO NOT** use bleach, scouring powders, solvents or other aggressive cleaning agents. To clean, use warm soapy water and a clean cloth and rinse off.

**NOTE:** The tray should be inspected six months after installation, check for any floor movement. If necessary adjust all the legs to ensure they are resting on the floor.

Sealant should **ONLY** be applied to the surface of the tray, never to the underside, any sealant applied to the underside of the tray will invalidate the guarantee.

**CUSTOMER CARELINE: 01746 713410**

**CORAM SHOWERS LTD**

Stanmore Industrial Estate, Bridgnorth, Shropshire WV15 5HP, UK

Tel: 01746 766466 Fax: 01746 764140 www.coram.co.uk