

# SLIMLINE TRAY RISER KIT

Please read these instructions carefully and keep for future reference. Incorrect fitting will invalidate the guarantee.

Check contents of pack before installation. If there is anything missing, contact our Customer Careline for assistance: 01746 713410

## SAFETY

- Make sure there are no hidden pipes or cables in the floor or walls where you intend to drill.
- Wear safety goggles, shoes and appropriate clothing.

## EQUIPMENT NEEDED

Crosshead Screwdriver, Spirit Level, Pencil, Fine Tooth Saw, Ruler, Masking Tape, Silicone Sealant.

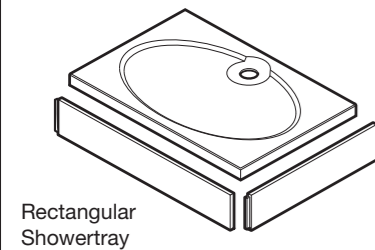
## BEFORE INSTALLATION

- The Bow Front, Crescent and Walk-In showertrays are for use with Coram enclosures only.

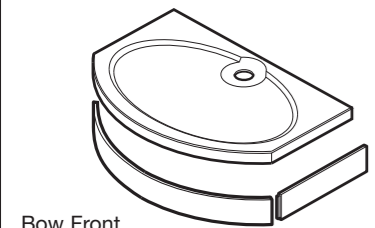
## FINISHING

- Once fitted the showertray must be tiled in place.
- Acrylic sealants, plumbers putty or mastic will damage the surface of the showertray.

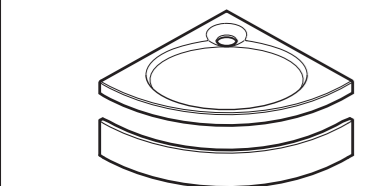
## TRAYS



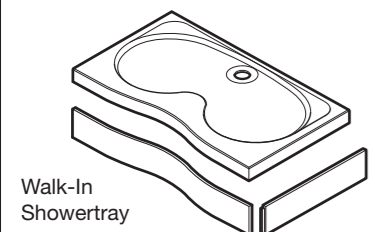
Rectangular Showertray



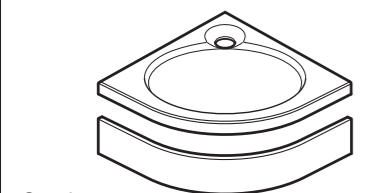
Bow Front Showertray



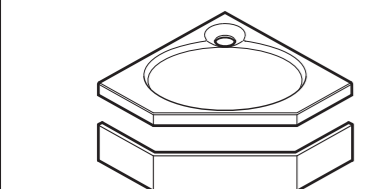
Crescent Showertray



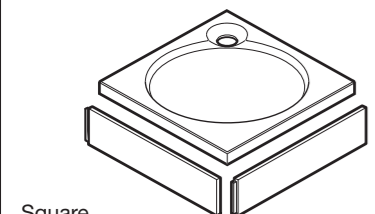
Walk-In Showertray



Quadrant Showertray



Pentagon Showertray

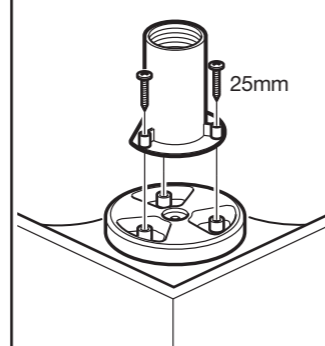


Square Showertray (shown)

**NOTE:** There may be extra parts in the screw packs, discard any extra parts.

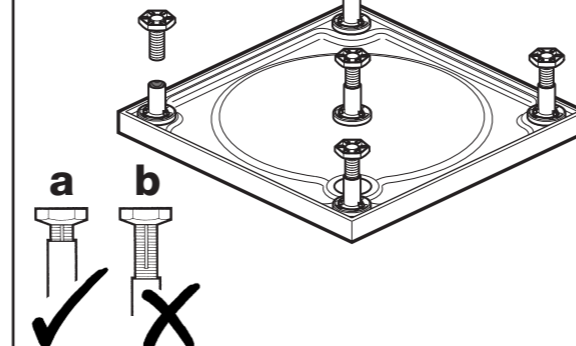
	PN60138 16mm	8
	PN9202 25mm	15
	PN60139 32mm	6
	PN50193	5
	PN50194	5
	PN50237	4

1



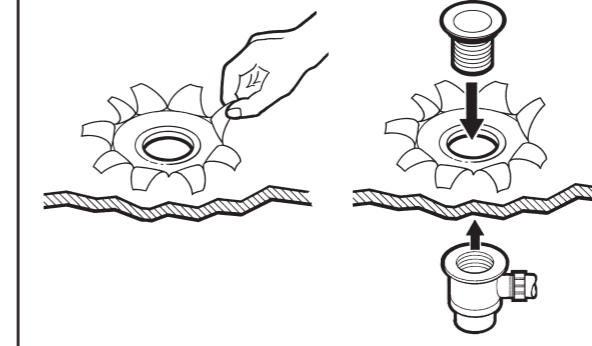
Screw legs to all feet on underside of the tray, using 25mm screws.

2



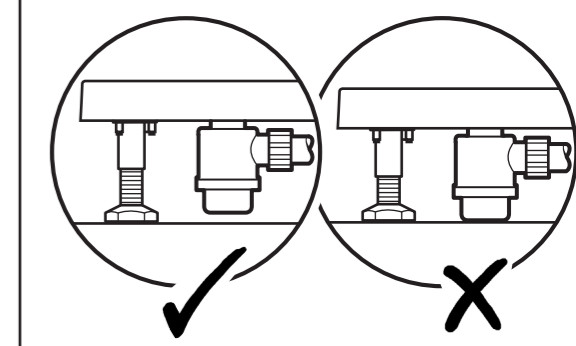
Fit ALL legs, including the centre leg.  
**NOTE:** The legs must be screwed in far enough that the end of the groove on the leg is **NOT** visible (a).

3



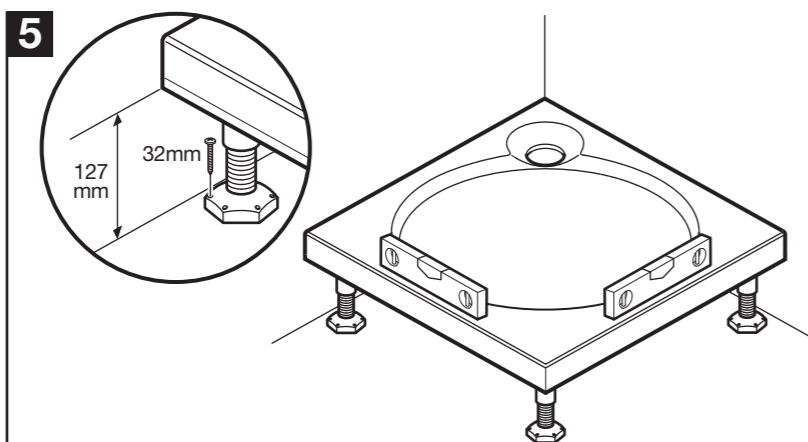
Peel back protective film from waste hole inside the tray and fit waste outlet. Fit waste and trap as per manufacturers instruction. **Do not apply any sealant to underside of tray as this will invalidate the guarantee.**

4



Fit waste pipe.  
Make sure pipe work is clear of floor when standing in the tray. If necessary cut a hole in the floor to provide adequate clearance.

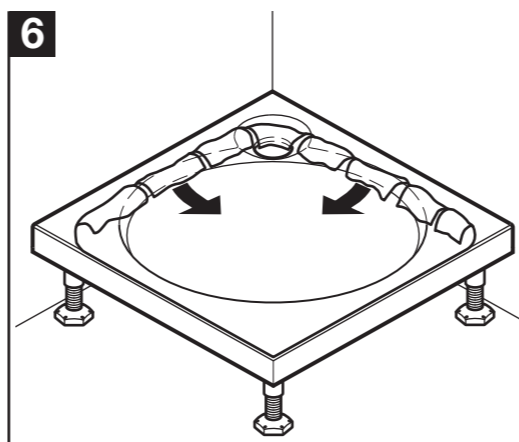
5



Adjust legs where necessary. Check tray is level in all directions (there is a built in fall on the tray for water drainage). **Ensure all legs are wound down tight to the floor.**

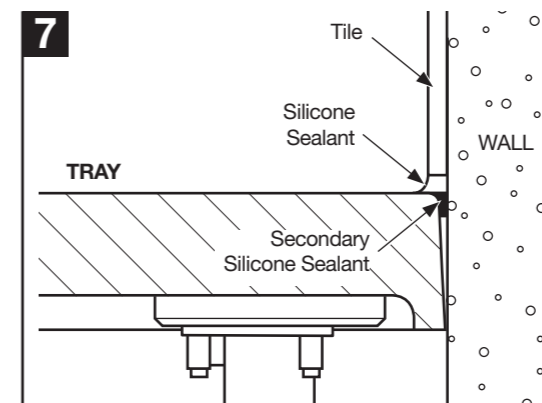
Fix legs to the floor using 32mm screws, where accessible.

6



Peel back protective film from back edges of tray.

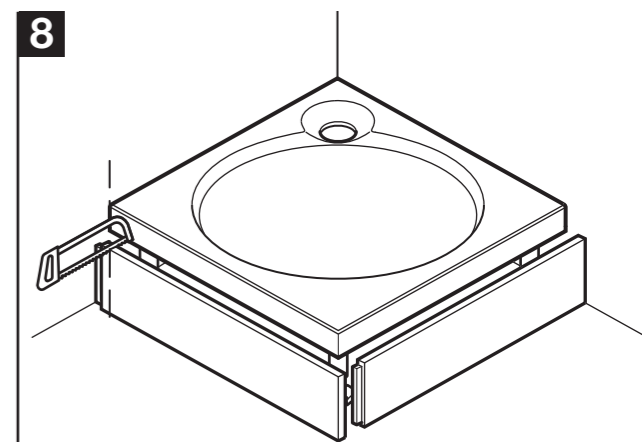
7



Seal the joint between the showertray and the adjoining wall with silicone sealant to provide a secondary seal.

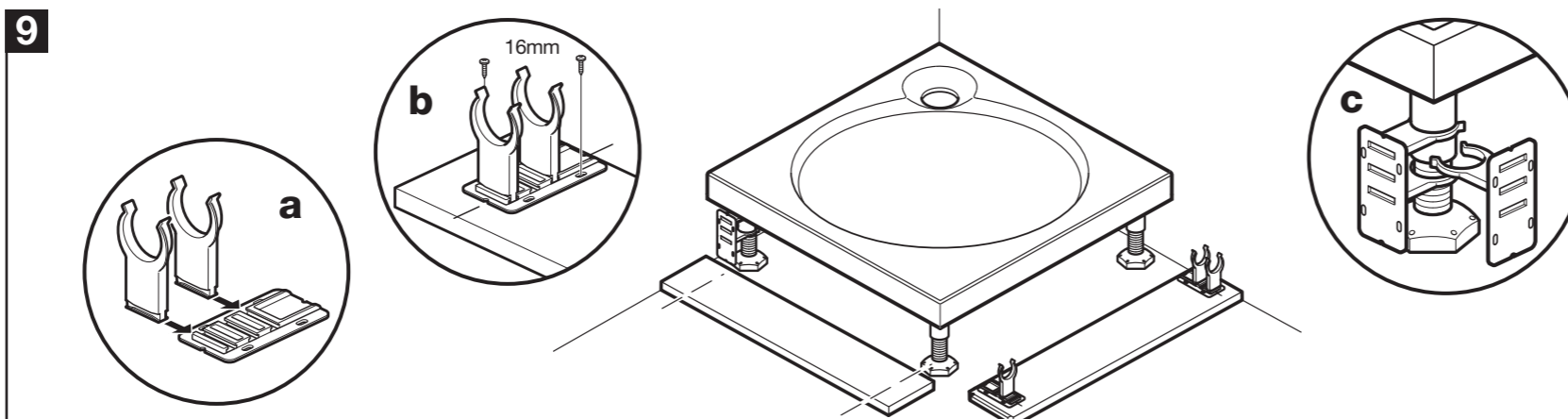
After final checks have been completed, tile down to the rim leaving a 3-4mm gap between tiles and rim for sealant. Seal gap with silicone sealant.

8



Carefully cut the outside edges of the panel/s to fit.

9



(a) Separate and assemble the panel brackets. Push fit the panel brackets onto the legs, align panel/s up with the brackets and mark the centre line of the brackets onto the back of the panel/s. (b) Fix panel brackets flush with the bottom of the panel/s using 16mm screws. (c) **Corner leg:** Panel brackets must be fitted to panel/s so they are staggered and do not clash with each other when fitted to the legs. To do this use only one clip inserted into the centre slot of one of the base plates. Push fit panel/s into place. Finally remove any remaining protective film.

## IMPORTANT

You must not use or work on the showertray for 24 hours after installation.  
**DO NOT** use bleach, scouring powders, solvents or other aggressive cleaning agents. To clean, use warm soapy water and a clean cloth and rinse off.  
**NOTE:** The tray should be inspected six months after installation, check for any floor movement.  
If necessary adjust all the legs to ensure they are resting on the floor.  
Sealant should **ONLY** be applied to the surface of the tray, never to the underside, any sealant applied to the underside of the tray will invalidate the guarantee.

**CUSTOMER CARELINE: 01746 713410**

**CORAM SHOWERS LTD**

Stanmore Industrial Estate, Bridgnorth, Shropshire WV15 5HP, UK  
Tel: 01746 766466 Fax: 01746 764140 www.coram.co.uk