

UNIVERSAL LEG SET & PLINTH KIT INSTRUCTION

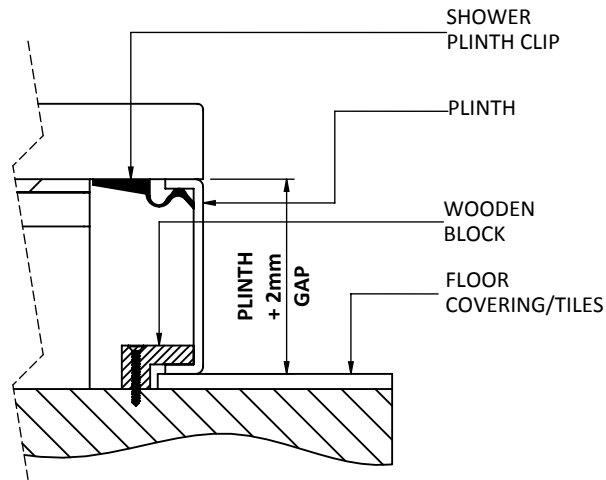
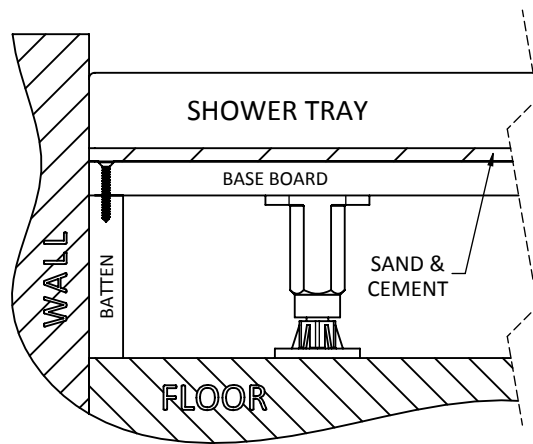
- PLEASE READ THESE INSTRUCTIONS FULLY AND FAMILIARISE YOURSELF WITH THE COMPONENTS BEFORE PROCEEDING. FULLY INSPECT THE TRAY, PAYING ATTENTION TO THE RED LABEL INSTRUCTION. YOUR TRAY COMES WITH A PROTECTIVE FILM. PEEL BACK TO INSPECT THEN REPLACE. **FITTING OF THIS TRAY OR LEG KIT WILL BE TAKEN AS ACCEPTANCE OF QUALITY.**
- IF YOU DON'T FIT THIS TRAY AS PER THE INSTRUCTIONS GIVEN, YOUR WARRANTY WILL BE NULL AND VOID.

IMPORTANT

- YOU MUST FIT A BASEBOARD AND BATTENS WHEN USING A LEG KIT WITH A TRAY 1200mm AND ABOVE.**
- BASEBOARD AND BATTENS ARE NOT SUPPLIED WITH THIS KIT.**
- TRAYS BELOW 1200mm. IT IS STILL HIGHLY RECOMMENDED YOU FIT USING A BASEBOARD AND BATTENS. (IF NOT USING SEE FIG 1)**

- ANY TRAY 1300mm AND ABOVE WILL REQUIRE x2 PACKS OF 6 LEGS.**

FITTING DIAGRAM (When using baseboard)



MOVE THE TRAY INTO THE DESIRED POSITION AND SCRIBE A LINE ON THE FLOOR WHERE THE TRAY WILL SIT INCLUDING THE WASTE.

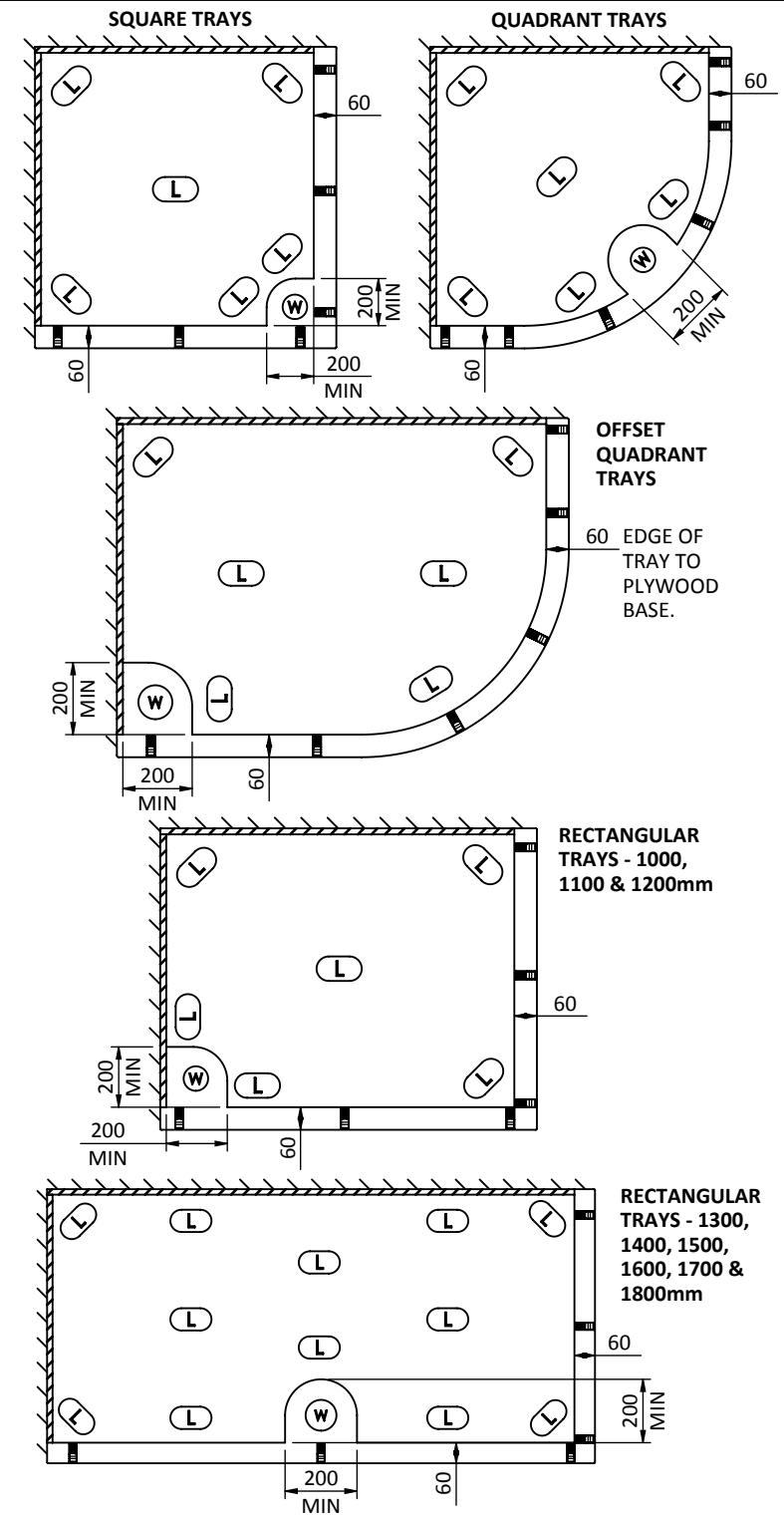
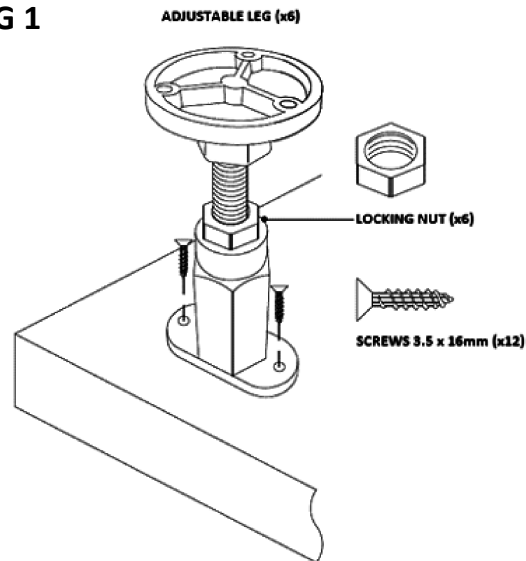
CUT PLYWOOD BASEBOARD (18mm MINIMUM) SO IT SITS 60mm BACK FROM THE FRONT EDGE OF THE TRAY (SEE DIAGRAMS ACROSS).

DRY FIT THE SHOWER TRAY WASTE AND PIPE TO ENSURE IT DOESN'T FOUL ON PLYWOOD BASE.

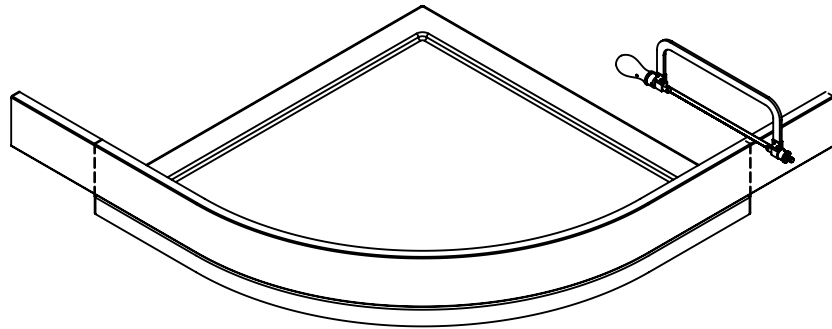
FIT LEGS TO PLYWOOD BASEBOARD USING COUNTER SUNK SCREWS SUPPLIED. RECOMMENDED LEG POSITIONING ACROSS.

THE OVERALL HEIGHT FROM THE FLOOR TILE TO THE UNDERSIDE OF THE TRAY SHOULD BE 'PLINTH HEIGHT + 2mm' SEE DIAGRAM ABOVE.
YOU MAY NEED TO REMOVE THE LEG'S LOCKING NUT IF FITTING ON THE LEAST EXTENSION.

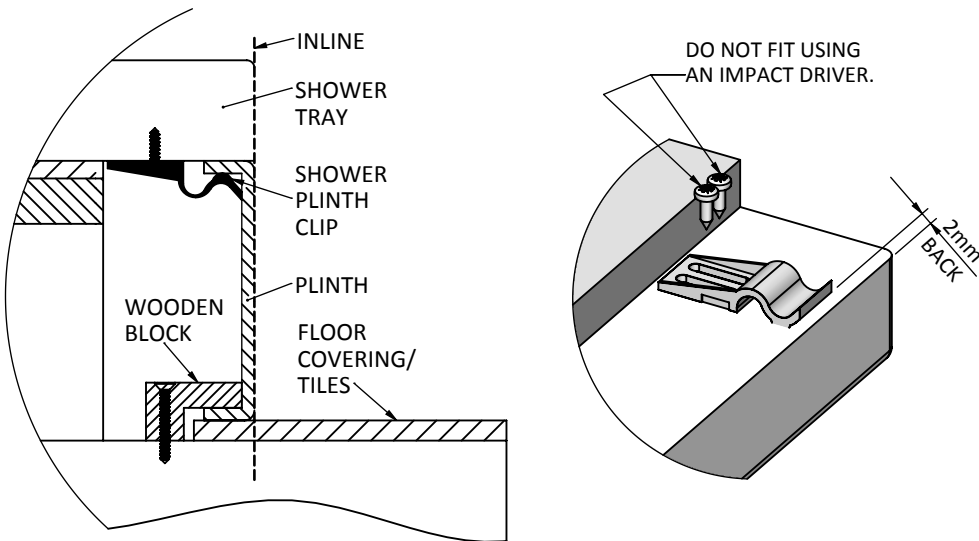
FIG 1



PLINTH KIT FITTING

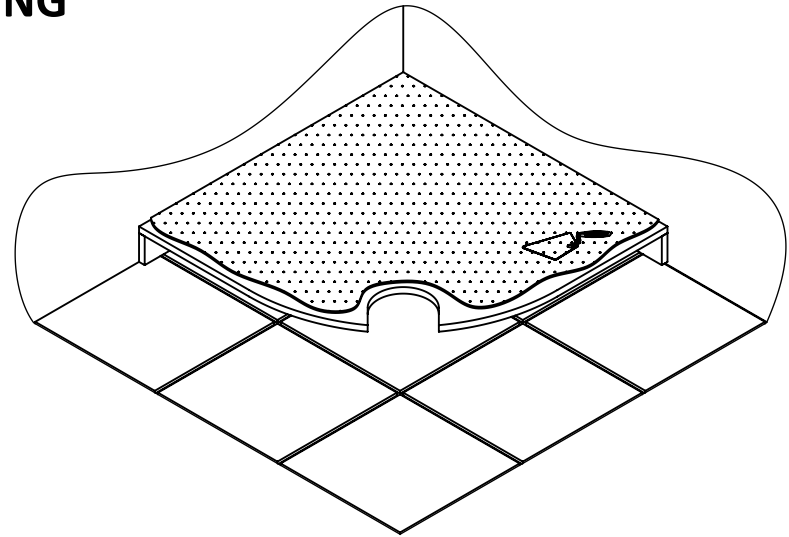


1. THE SHOWER TRAY PLINTH MAYBE SUPPLIED OVER LENGTH. PLACE ONTO THE TRAY FOLLOWING THE CONTOUR OF THE TRAY. MARK AND CUT SHOWER PLINTH.



2. FIT PLINTH CLIPS TO THE UNDERSIDE OF THE TRAY USING DIAGRAMS OVERLEAF AS A GUIDE. SET THE CLIP 2mm BACK FROM THE FRONT EDGE OF THE TRAY. FIT USING 3.5 x 16mm ROUND HEAD SCREWS SUPPLIED.

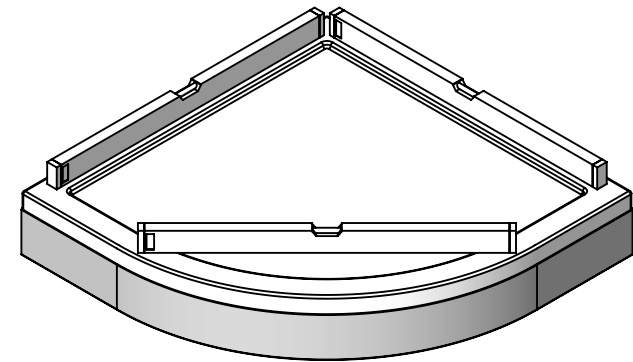
NOTCHED WOODEN BLOCKS CAN BE USED BEHIND THE PLINTH TO HELP KEEP THE PLINTH STABLE, (NOT SUPPLIED).



3. FIT BATTENS TO THE WALL USING SUITABLE FIXINGS. BATTENS SHOULD BE FROM THE FLOOR TO THE UNDERSIDE OF THE BASEBOARD.

PLACE THE BASEBOARD ONTO BATTENS AND PIN IN PLACE. ENSURE BASEBOARD IS LEVEL WITH A SPIRIT LEVEL.

APPLY A SUFFICIENT SAND & CEMENT BED (OR FLEXIBLE FLOOR TILE ADHESIVE) TO THE BASEBOARD TO FORM A LEVEL BED. PLACE THE TRAY ON THE BED AND TAMPER ENSURING A GAP 'PLINTH HEIGHT + 2mm' FROM FLOOR TILE TO UNDERSIDE OF TRAY. TRAY MUST BE LEVEL IN ALL PLANES.



4. MAKE ALL WASTE CONNECTIONS AND CHECK FOR LEAKS.

FIT SHOWER PLINTH WHEN ALL WORKS ARE FINISHED.