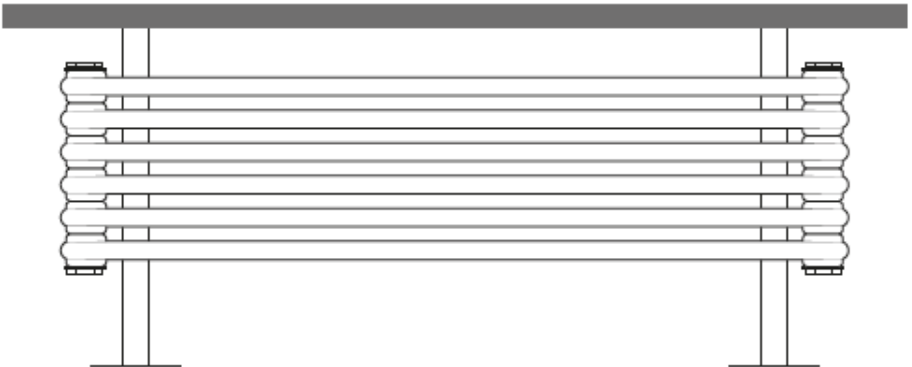


Installation Guide



Keswick Bench Radiator

Important Information

Before Installation, please read this guide carefully.

- A fully qualified and competent person should install this product.
- Observe all local plumbing and building codes.
- Shut off the main water supply.
- The radiator should only be filled with water at a temperature below 100°C. If the temperature exceeds 48°C, please install a warning sign near the product to avoid burning and scalding accidents.
- Select the desired location for the radiator ensuring the chosen wall is both strong enough and suitable to carry the weight of the radiator when full of water.
- When cleaning, never use abrasive cleaners on this product as they will damage the surface. Wipe the surface clean with a soft, damp cloth.

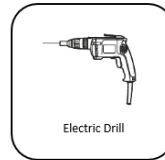
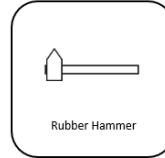
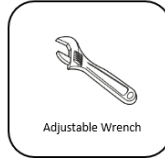
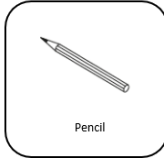
Child Safety Notices

Please note that you are 100% legally responsible for your own child's safety at home. Once installed, the radiator can become a hazard for children as this radiator is not designed to support unreasonable extra weight, such as that of a child and the radiator becomes hot during use. We must stress that you should not allow children to climb/grab/play with the radiator or rails, as this can cause accident or injury for the child from heat, falling, or the radiator being pulled off the wall.

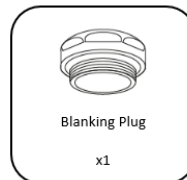
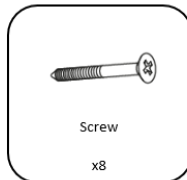
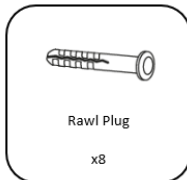
Check & Inspect

Here at Victorian Plumbing, we pride ourselves on selecting products from reputable manufacturers who manufacture to our exacting standards and quality control measures. All our products are well packaged and should reach you in pristine condition. Please check this product carefully prior to install as we must be notified of any shortages or damage within 30 days of delivery. For further information please see terms and conditions.

Tools required for installation (not supplied)

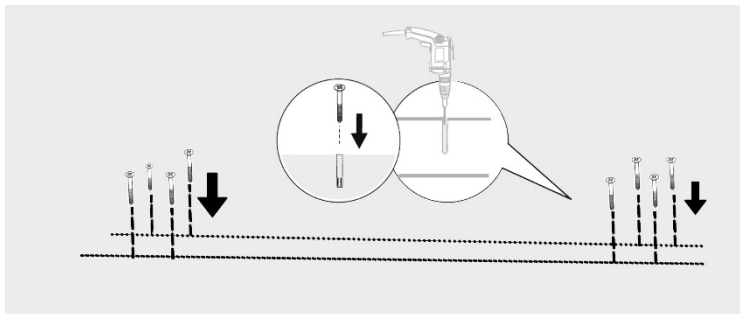


Please check you have all the items below:



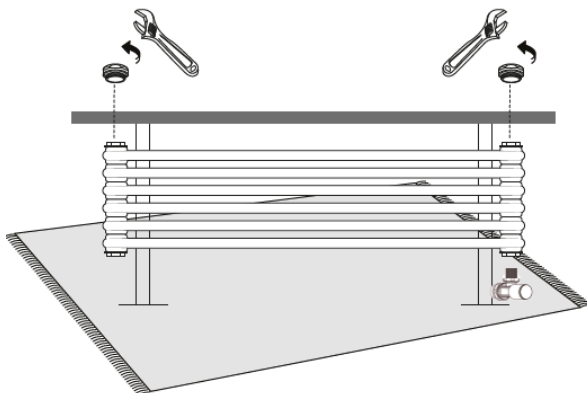
Step 1

Site the radiator in your chosen location and carefully mark with a pencil the screw holes within the floor mounting brackets. Carefully drill the holes for the rawl plugs ensuring the correct sized masonry bit is used. Insert the rawl plugs into the holes and screw the brackets to the floor using the screws provided.



Step 2

Wrap PTFE tape around the blanking and vent plugs, and screw into top of radiator. Tighten with a spanner.



After Installation

- Use a screwdriver/vent key to open the air vent, open the valve and let the water rush into radiator.
- Check all connections for leaks.
- Once water overflows from the air vent, the radiator is fully purged of air.
- Use a screwdriver/vent key to close the air vent, turn on the valve and the radiator is ready for use.

Trouble Shooting

When your radiator does not function, knowing basic radiator troubleshooting can save you from the stress and the hassles of a non-functioning radiator. Here is a guide to solve the most common problems associated with these electric home heaters.

| Problem | Cause | Action |
|---------------------------------------|--|---|
| Cold spots on the radiator | Water is not flowing through radiator properly | <ul style="list-style-type: none">• Check to make sure there is no trapped air inside the radiator. "Bleed" the radiator to release air.• Make sure the valves are fully open to allow water to move freely. |
| Leak on the radiator | Valve nut is loose | Tighten the valve nut |
| Sound of whistling or water whooshing | Radiator was not perfectly balanced when it was installed | Re-balance all radiators on the heating system |
| Clanking sound | The radiator was installed in a space that does not allow for pipe expansion | Re-check pipework |