

Product Identification

721703

- Expert Plus Mechanic Sanitarblock 820

Definition and Application

- Preassembled structure for installation in front of masonry wall and finish in light wall, plasterboard wall and technical support rail for light wall
- Compatible with all wall-hung WC pans
- Top or front activation/access

Technical Features

Structure

- Metal with 820mm, with 1,5mm thickness and corrosion resistant
- Easy and quick installation with Fast Fit system
- Minimum thickness of 150mm and adjustable up to 200mm
- Height regulation of the adjustable floor brackets (0-200 mm);
- Depth adjustable outlet bend
- Tested for 400kg load

Cistern

- Dual flush in wall cistern compatible with either dual or single flush actuators 6/3 liters (adjustable to 4/2 or 7/3 liters)
- Mechanic actuation
- 150mm thickness
- Working pressure from 0,1 to 16 bar
- Resistance to atmospheric humidity (Hr <90%).
- Polypropylene cistern highly resistable and inalterable to thermal stress
- Lower/under bench installation possibility
- Other versions compliant with: WRAS/SAI-WATERMARK/NF/BELGAQUA standards
- EN 14055 marking CL1
- Equipped with Azor Plus Inlet Valve, with delayed refilling (saves up to 9 litres of water per day) and silent according to the NF standard category Class I
- Supplied with anti-condensation lining
- "A" class for the Water Efficiency in compliance with the ANQIP Authority requirements

Accessories

- 1 Discharge pipe \varnothing 90 x 250
- 1 Seal for discharge pipe \varnothing 125
- 1 Connecting pipe \varnothing 45 x 180
- 1 Pan rubber seal \varnothing 45
- 1 Protective box
- 1 G $\frac{1}{2}$ " stop valve
- 1 Protection sponge for the stop valve
- 1 Flush bend \varnothing 90 / 90 L230
- 1 Protection pipe \varnothing 90
- 1 Protection pipe \varnothing 45
- 1 Adaptor pipe \varnothing 90/110

Fixing accessories for wall structure:

- 4 Galvanized screws M8x60
- 4 Galvanized washers M8 DIN 9021
- 4 Bushing for metal structure
- 2 Fast Fit fixing

Fixing accessories for hung wc mounting on the structure

- 2 Threaded rods M12
- 2 Protection for threaded rod
- 2 Protection cover
- 2 Washers for WC pan fixation
- 2 Nuts M12
- 2 Washers \varnothing 34

Warranty

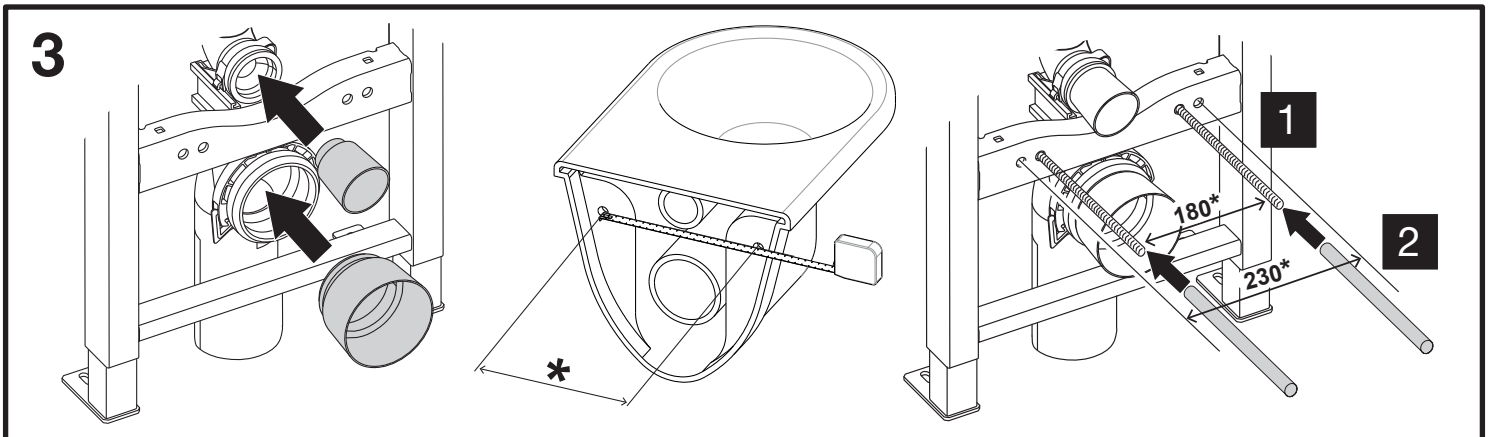
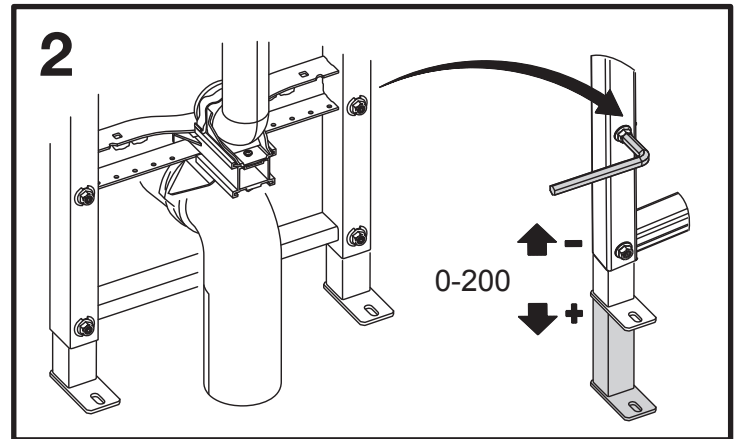
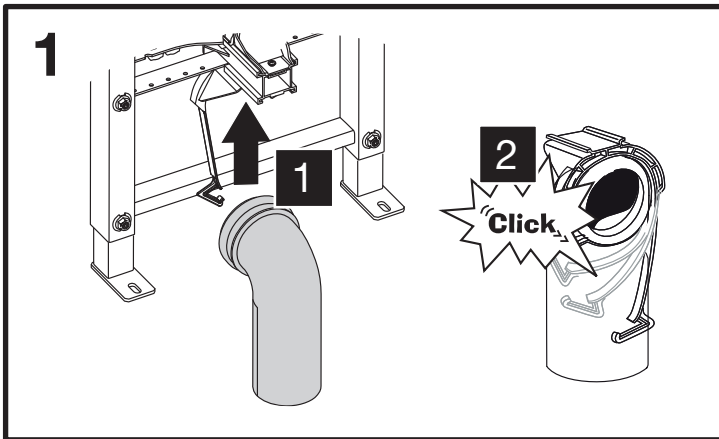
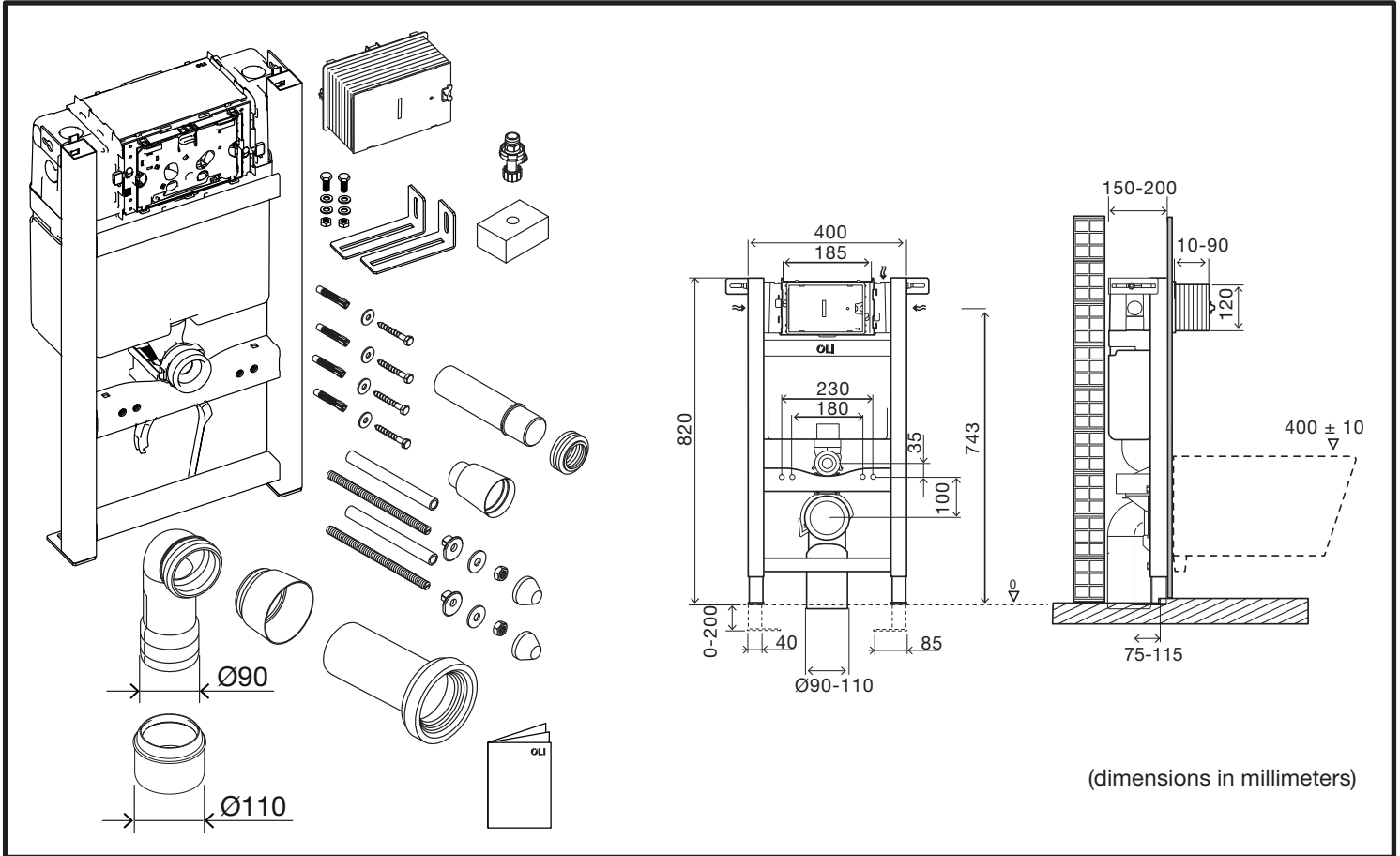
- Ten (10) years warranty according to the general selling terms, starting from the purchase date of the product.
- If the product is not correctly installed the warranty is not valid

Observations

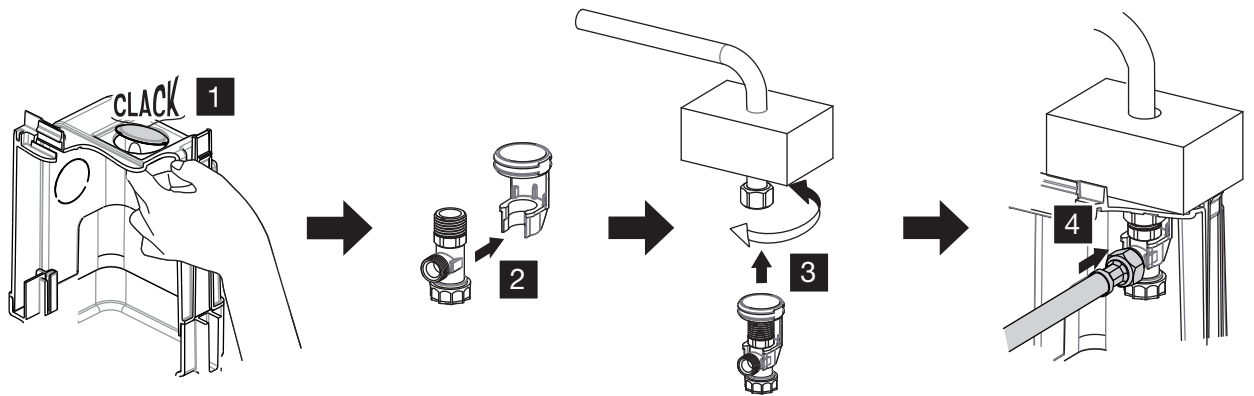
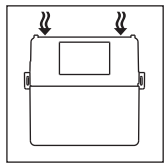
- There are available similar products. For more information please consult our Sanitary Installation Systems catalogue or our site www.oli-world.com

EXPERT PLUS

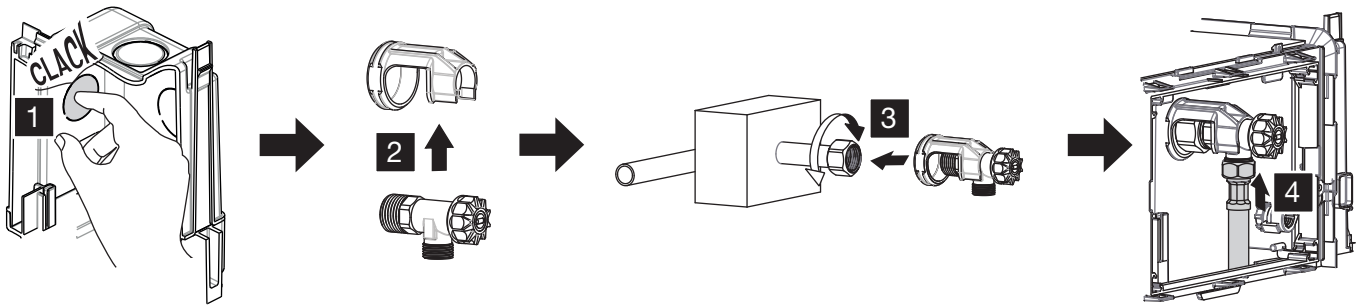
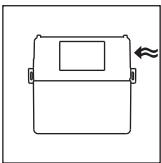
SANITARBLOCK



4A

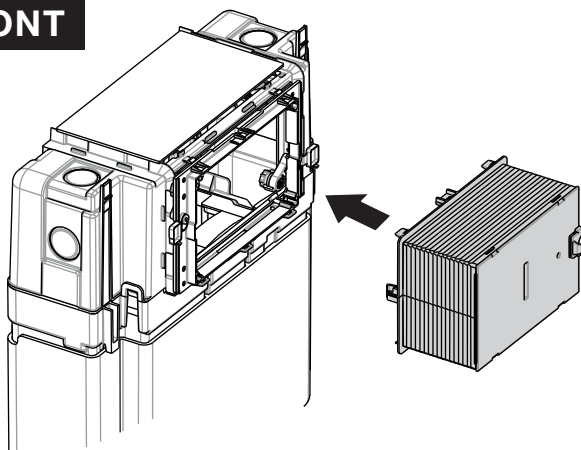


4B



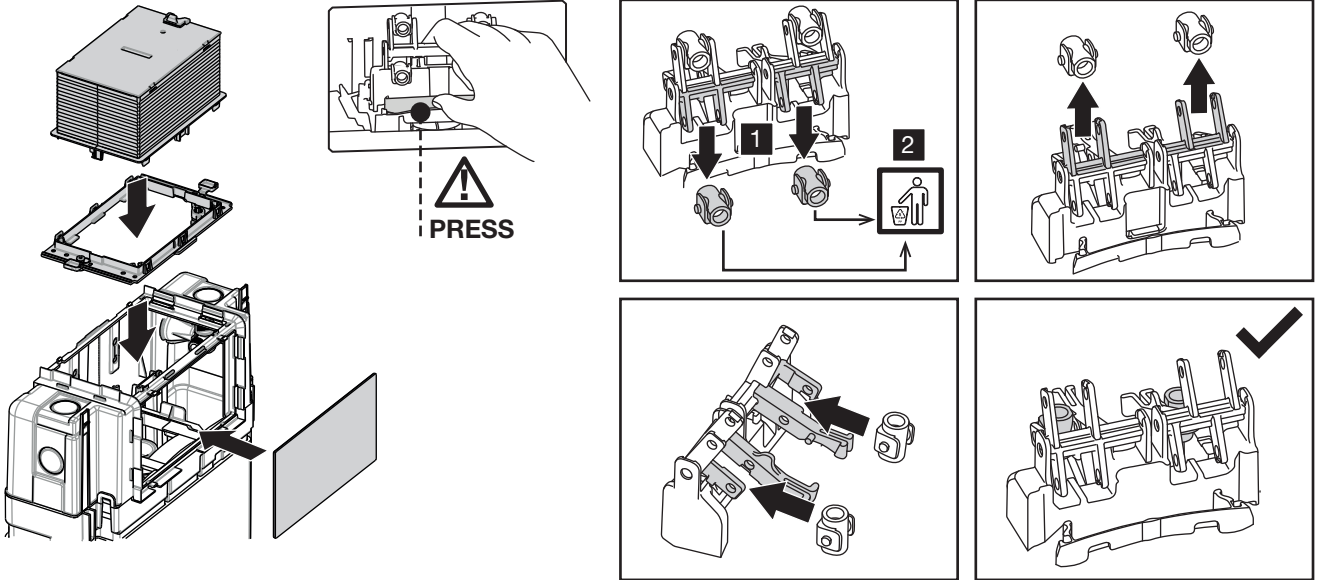
5

FRONT

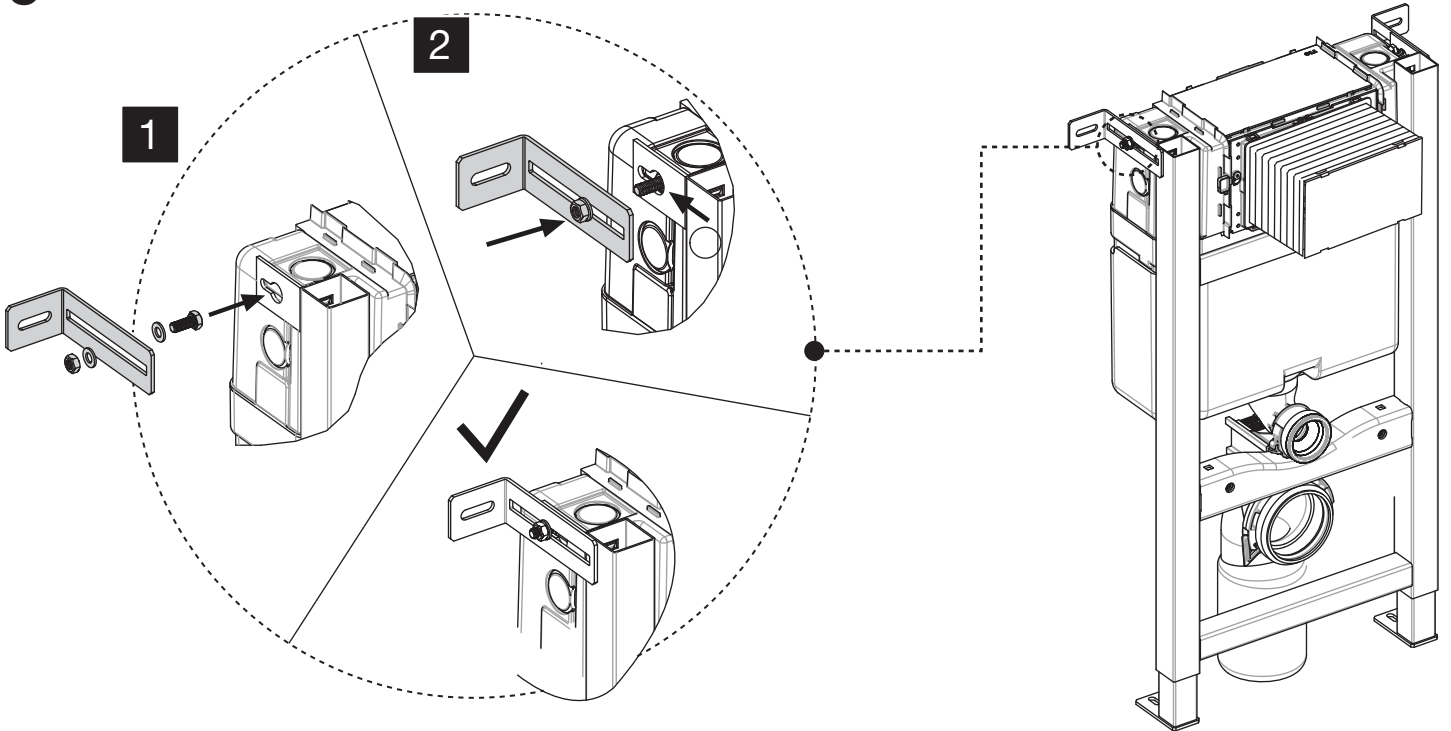


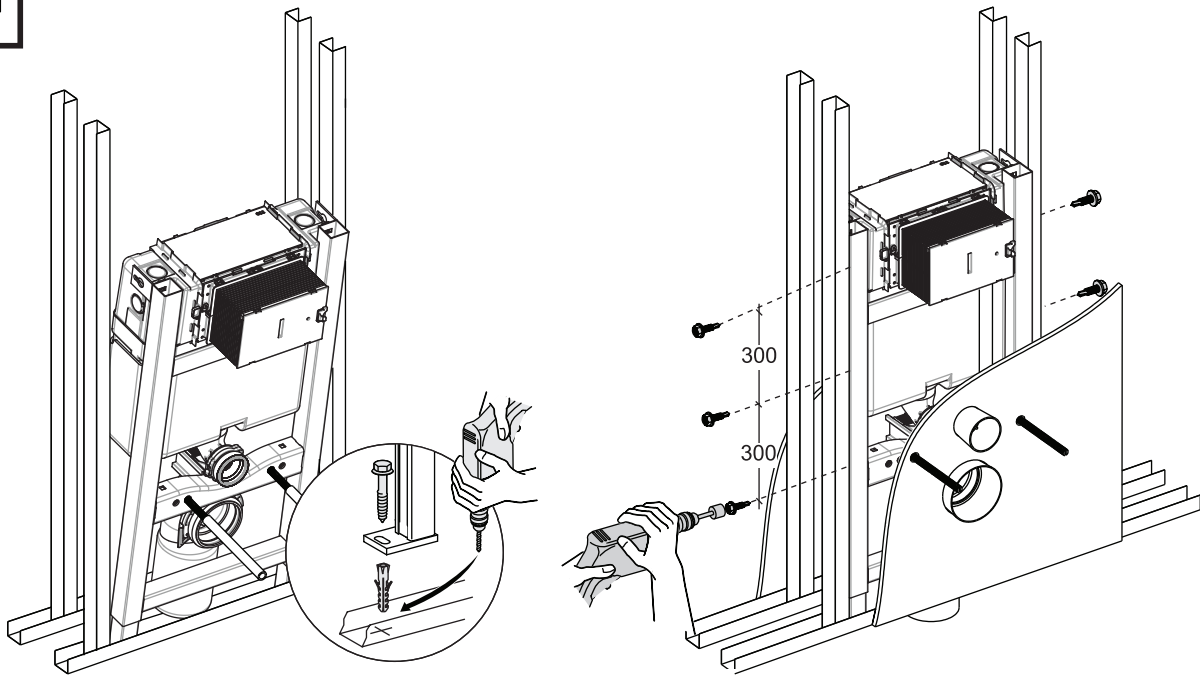
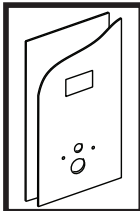
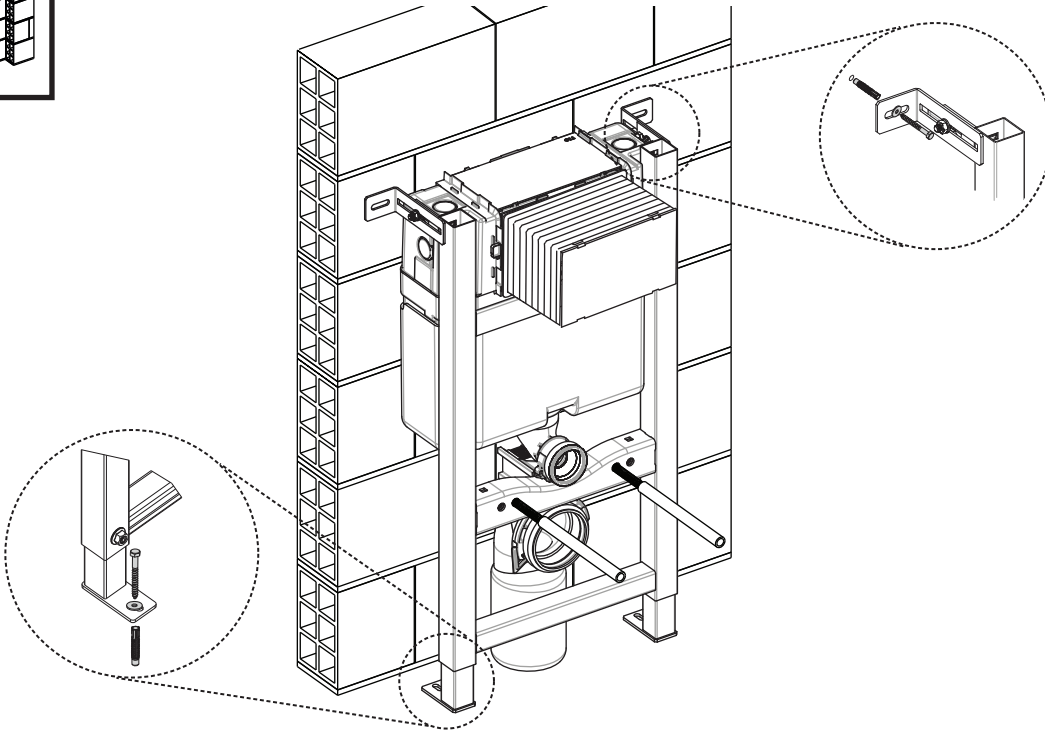
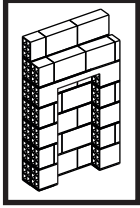
5

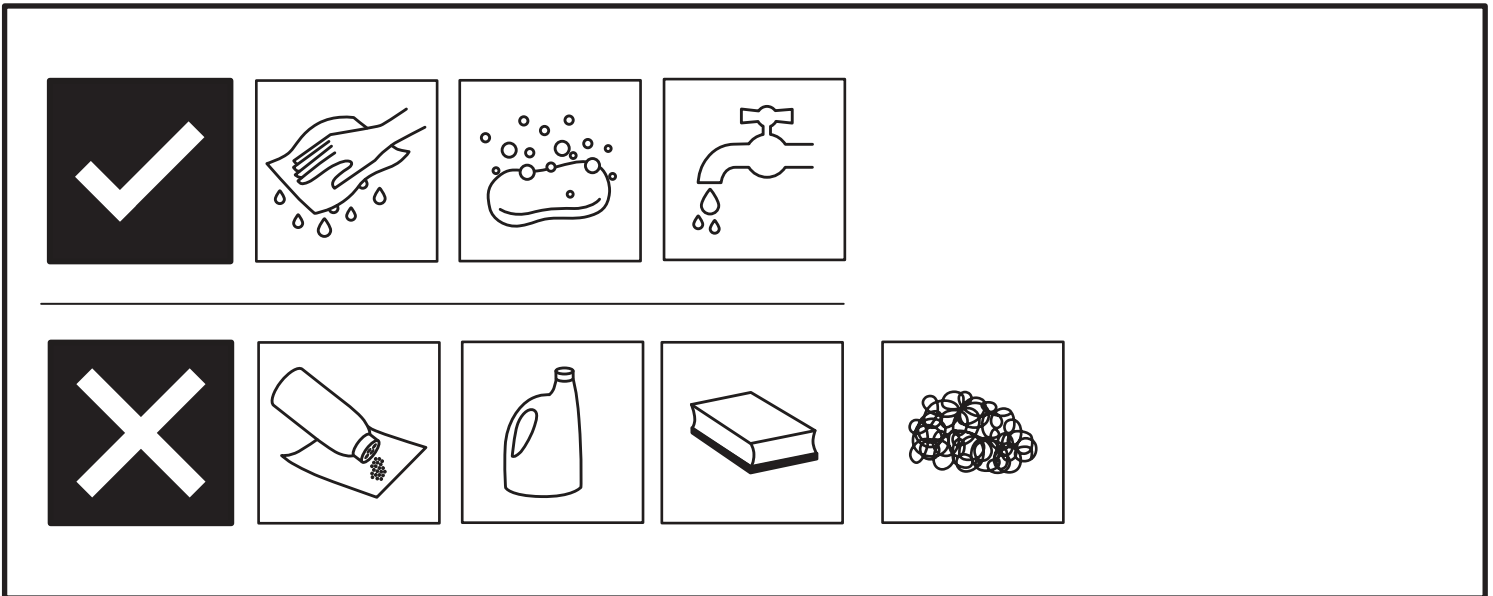
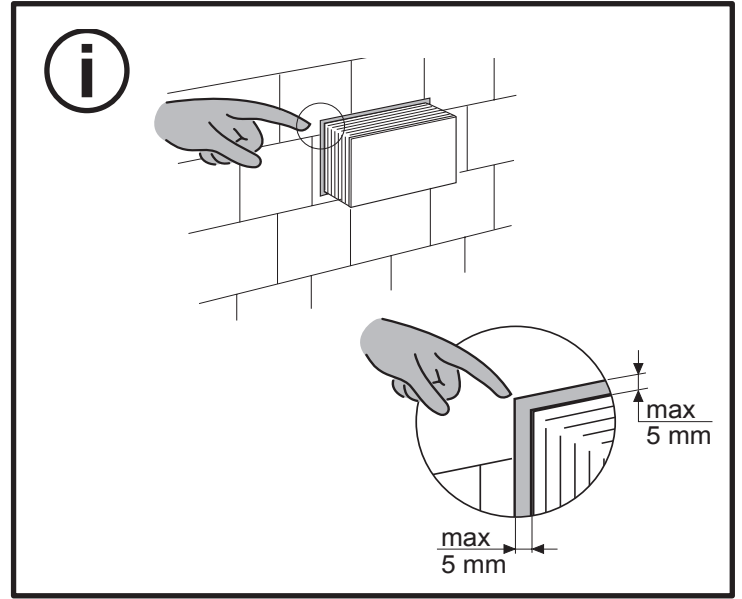
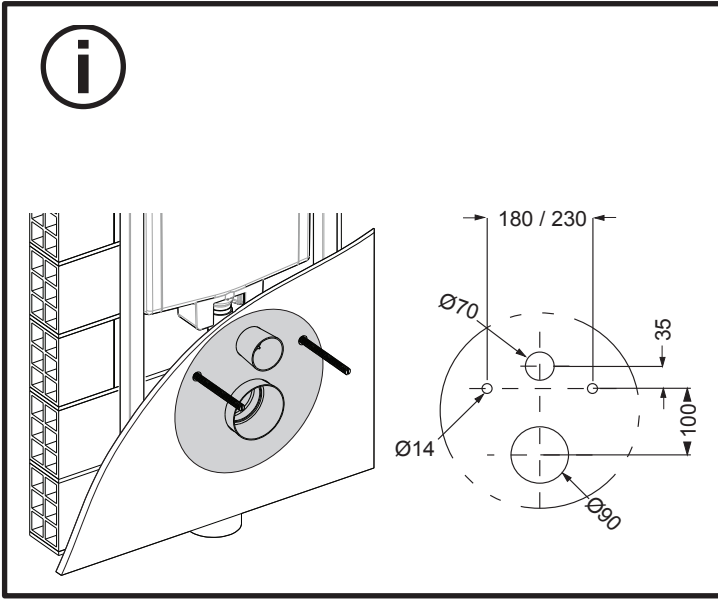
TOP

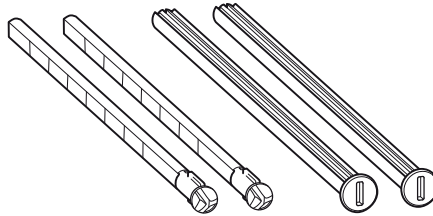
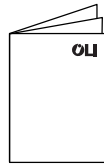
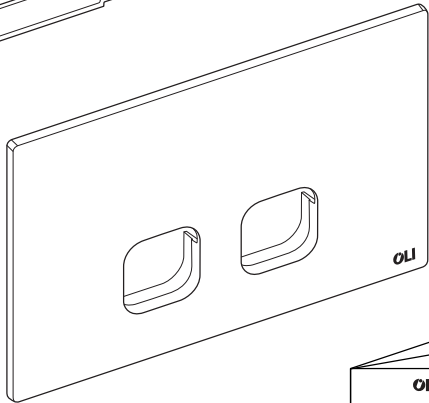
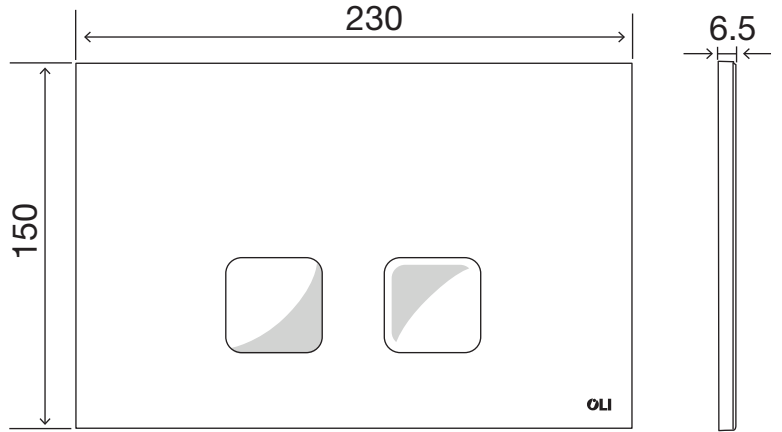
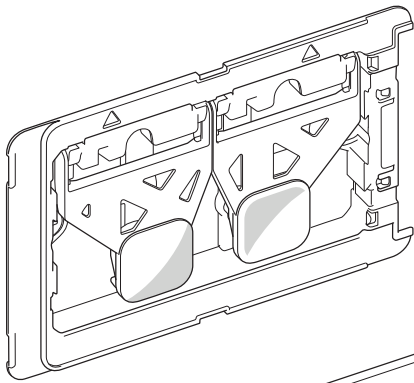


6







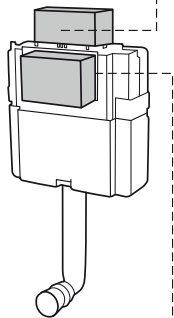
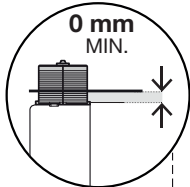


TOP ACTUATION KIT

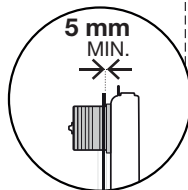
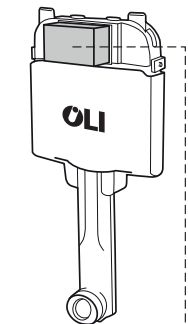
Cod. 211743

EXPERT PLUS

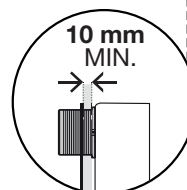
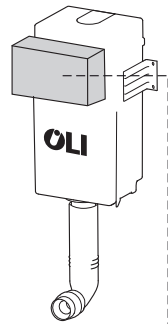
TOP



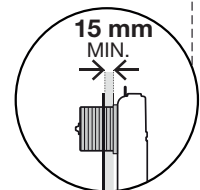
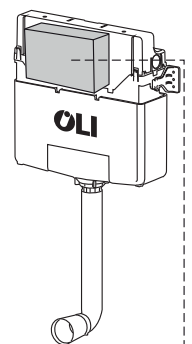
OLI74 PLUS



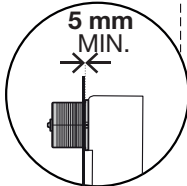
QUADRA PLUS

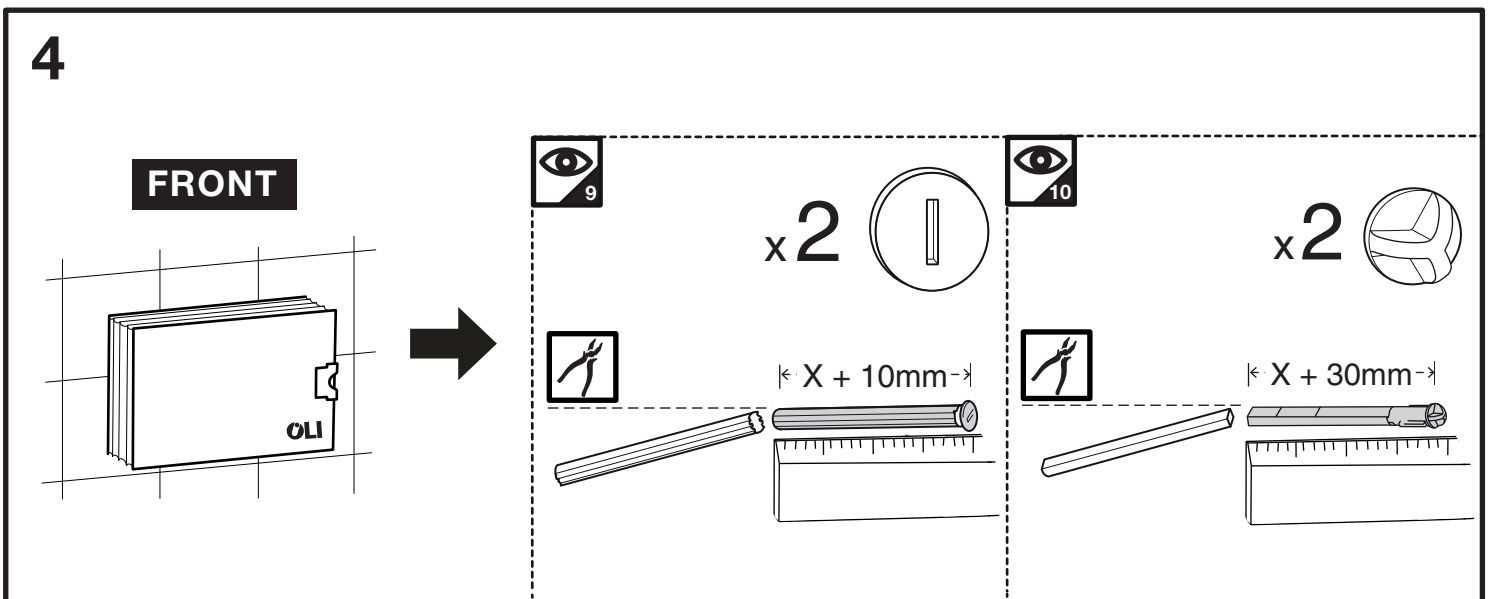
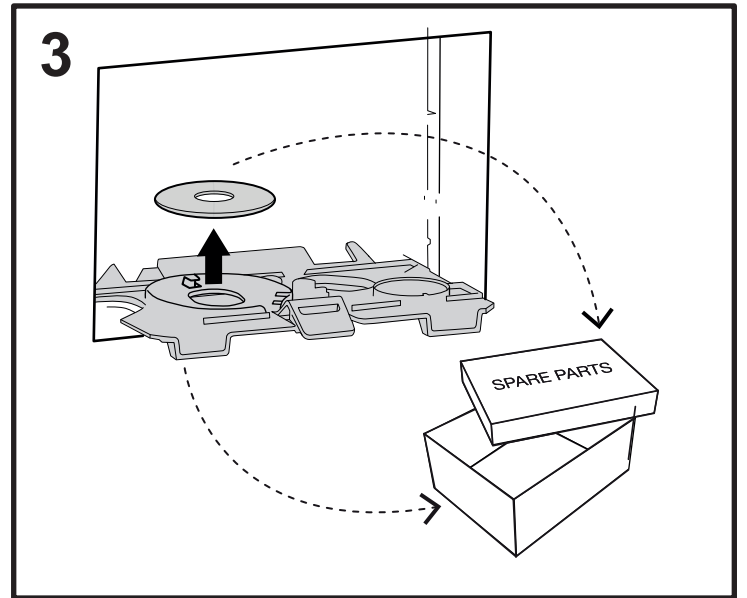
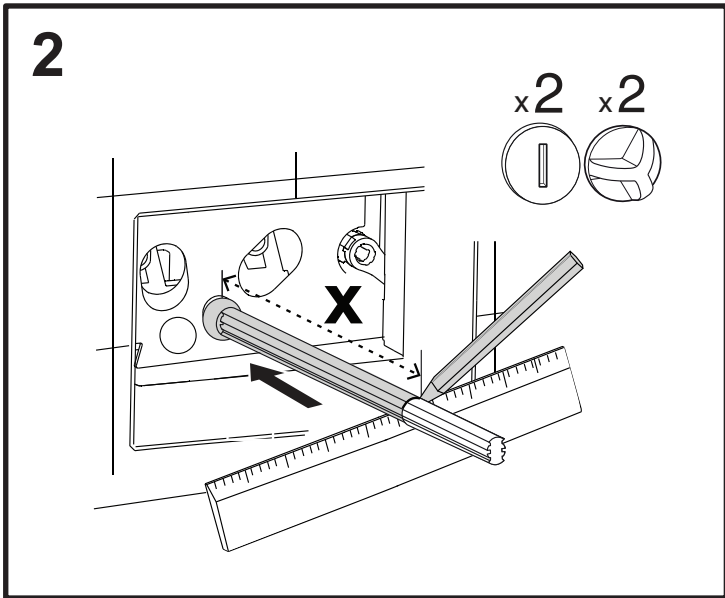
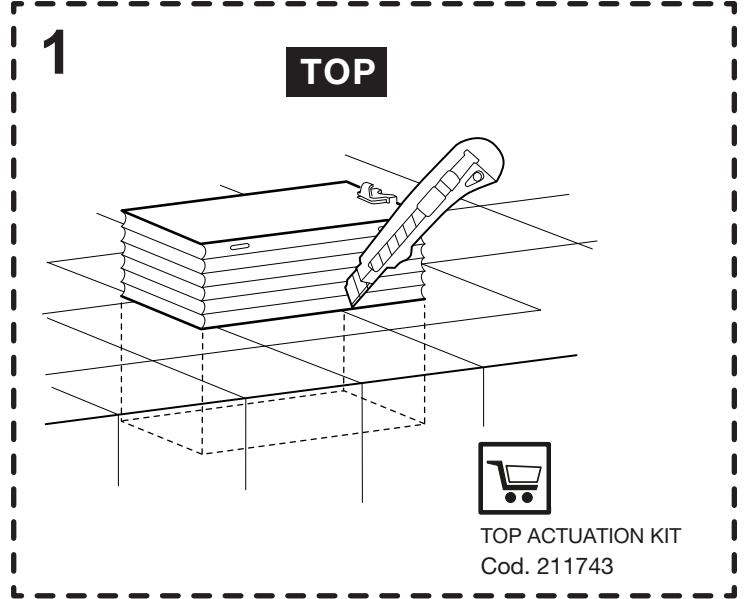
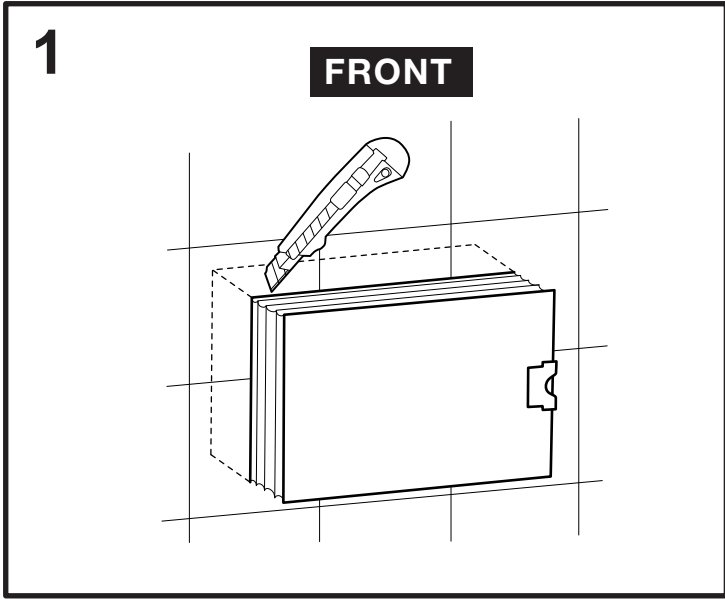


OLI120 PLUS



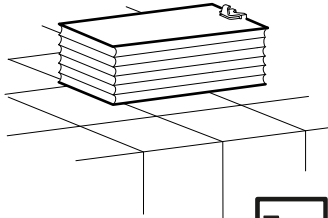
FRONT



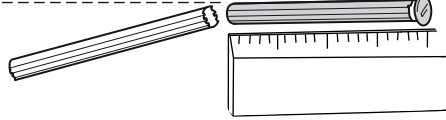


4

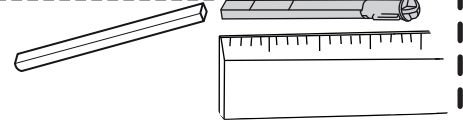
TOP



TOP ACTUATION KIT
Cod. 211743



x2



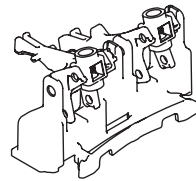
x2



TOP



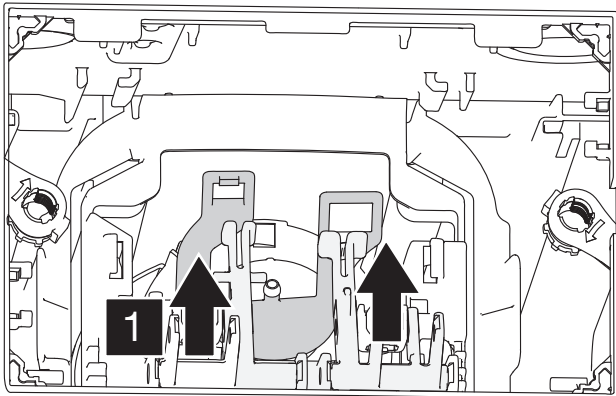
TOP ACTUATION KIT



Cod. 211743

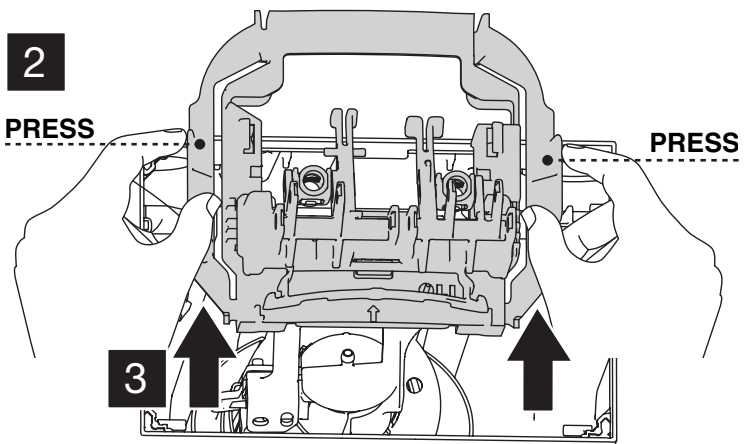


TOP



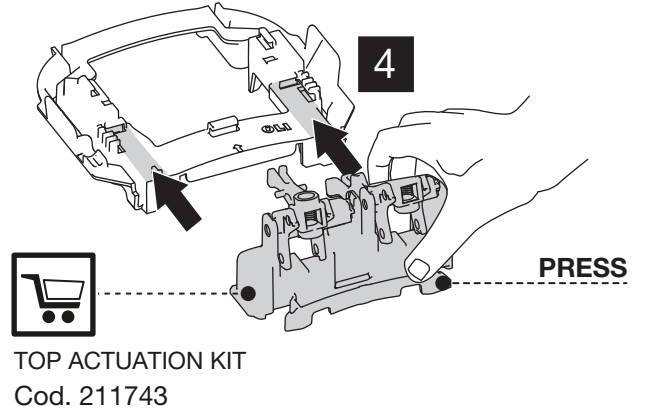
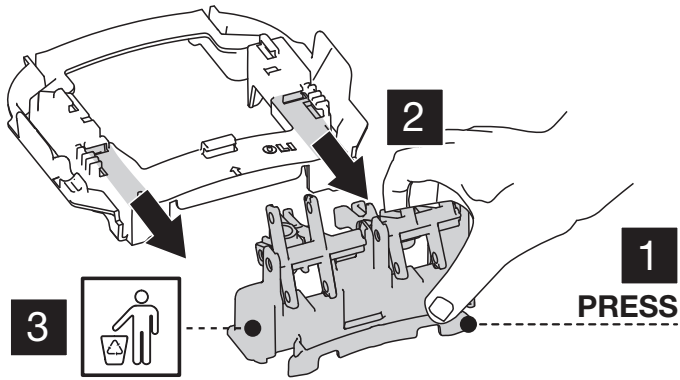
2

PRESS



PRESS

i TOP



i TOP

