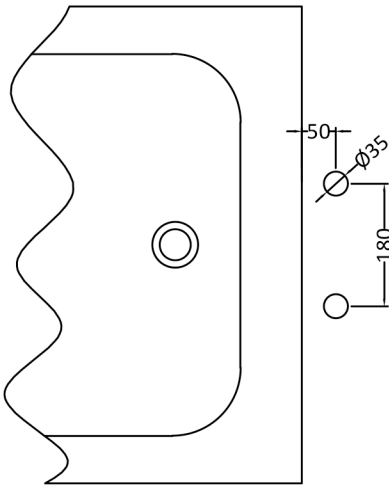
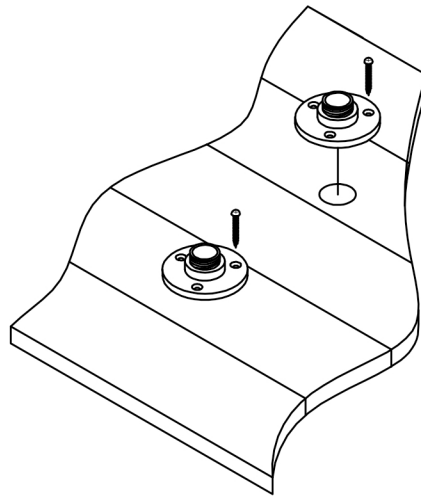


1



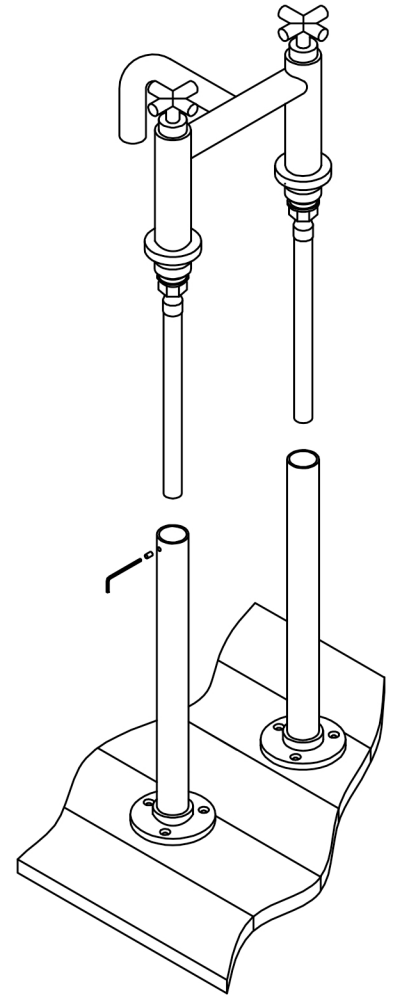
DRILL TWO HOLES IN THE FLOOR AS SHOWN
(USE SAME CENTRES IF FITTING ALONG THE BATH EDGE).

2



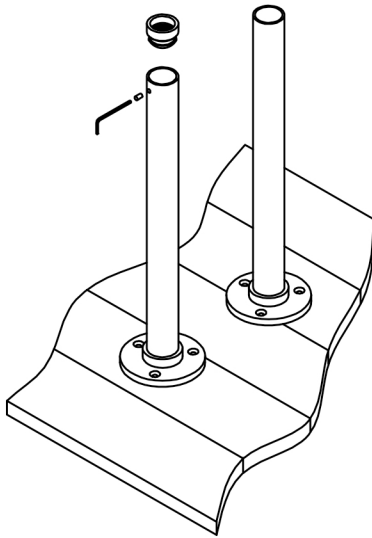
SCREW PIPE FLANGES TO THE FLOOR, DIRECTLY ABOVE
PREVIOUSLY DRILLED HOLES.

7



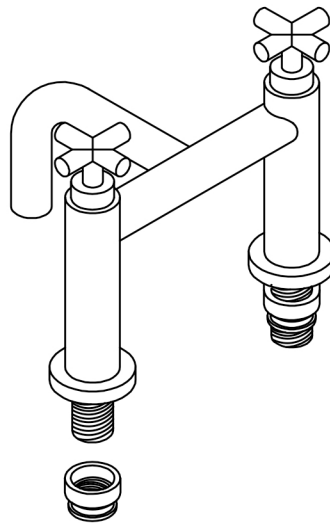
PLACE THE TAP FEED TUBE ASSEMBLY OVER THE FLOOR TUBES.
TIGHTEN THE GRUB SCREWS ONTO THE UPPER BUSHES WITH
AN ALLEN KEY.

3



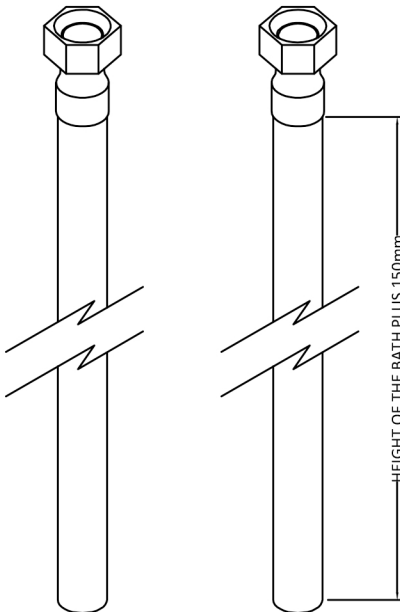
SCREW THE TWO TUBES ONTO THE FLANGES.
REMOVE THE UPPER BUSHES WITH THE ALLEN KEY

4



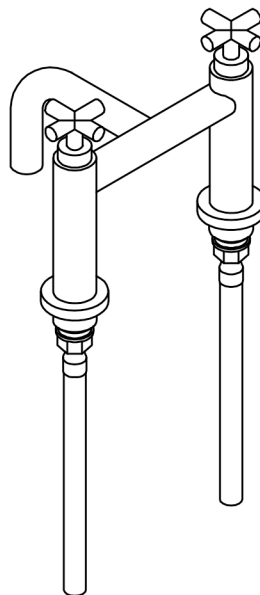
SCREW THE UPPER BUSHES ONTO THE TAP TAILS

5



SOLDER THE TAP CONNECTORS TO THE 22mm FEED PIPES
(NOT SUPPLIED).
SEE EXAMPLE OF SUITABLE CONNECTORS AT THE END OF
THIS INSTRUCTION.

6

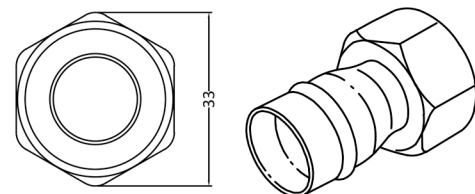


SCREW THE FEED PIPE ASSEMBLIES ONTO THE TAP TAILS,
ENSURING THE FIBRE WASHERS ARE IN PLACE.

EXAMPLE OF SUITABLE CONNECTORS (NOT SUPPLIED)



90CM LONG 3/4" x 3/4" STANDPIPE FLEXI HOSES



3/4" FLAT FACED TAP CONNECTOR TO 22mm STRAIGHT
SOLDER RING
MAXIMUM DIMENSION ACROSS THE PEAKS 33mm