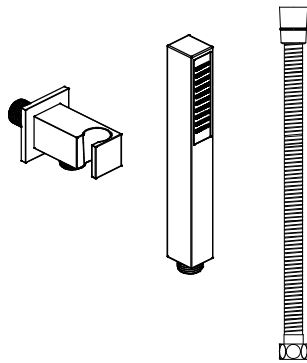
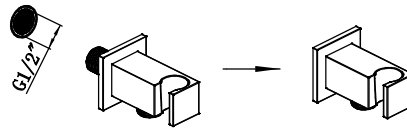


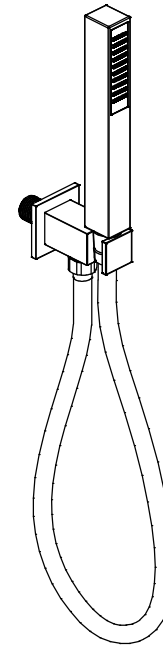
Installation



Step 1: Check all the components with you or not.



Step 2: Wrapping the seal tape onto the thread, and connect to the water outlet.



Step 3: Assembling the shower handset and hose.