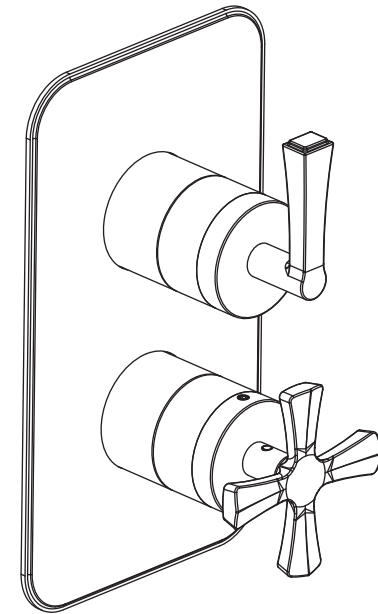


## TECHNICAL DETAILS

For full technical details on all our products,  
please visit our website [www.burlingtonbathrooms.com](http://www.burlingtonbathrooms.com)

Riviera 1000 shower plate and handles Chrome  
Riviera 1000 shower plate and handles Gold  
Riviera 1500 shower plate and handles Chrome  
Riviera 1500 shower plate and handles Gold

RIV2 CHR  
RIV2 GOLD  
RIV3 CHR  
RIV3 GOLD



## INSTALLATION INSTRUCTIONS

## INSTALLATION INSTRUCTIONS

Please read these instructions carefully and keep in a safe place for further reference.

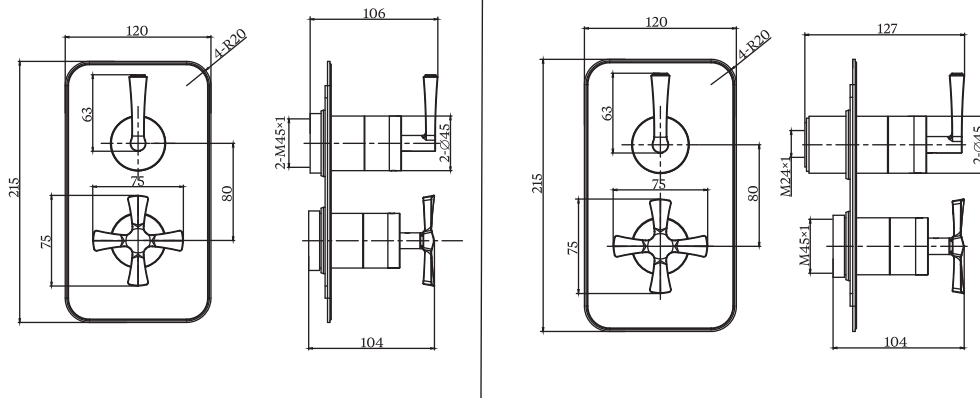
### IMPORTANT

- We recommend that this product is installed by a qualified professional contractor. Such as a plumber who is certified by NVQ (National Vocational Qualification) or SNVQ (Scottish National Vocational Qualification) Level 3.
- Please check this product immediately to ensure that it has not been damaged and is complete. Before installation, please make sure this product is the correct model and you have all the parts required for installation and using.
- Please read these instructions carefully and keep it for future reference.

### DIMENSIONS

RIV3 CHR/GOLD

RIV2 CHR/GOLD



NOTE: ALL DIMENSIONS IN MILLIMETRES

## Installation of RIV3 CHR/GOLD trim sets (needs to be used with HOX.005V)

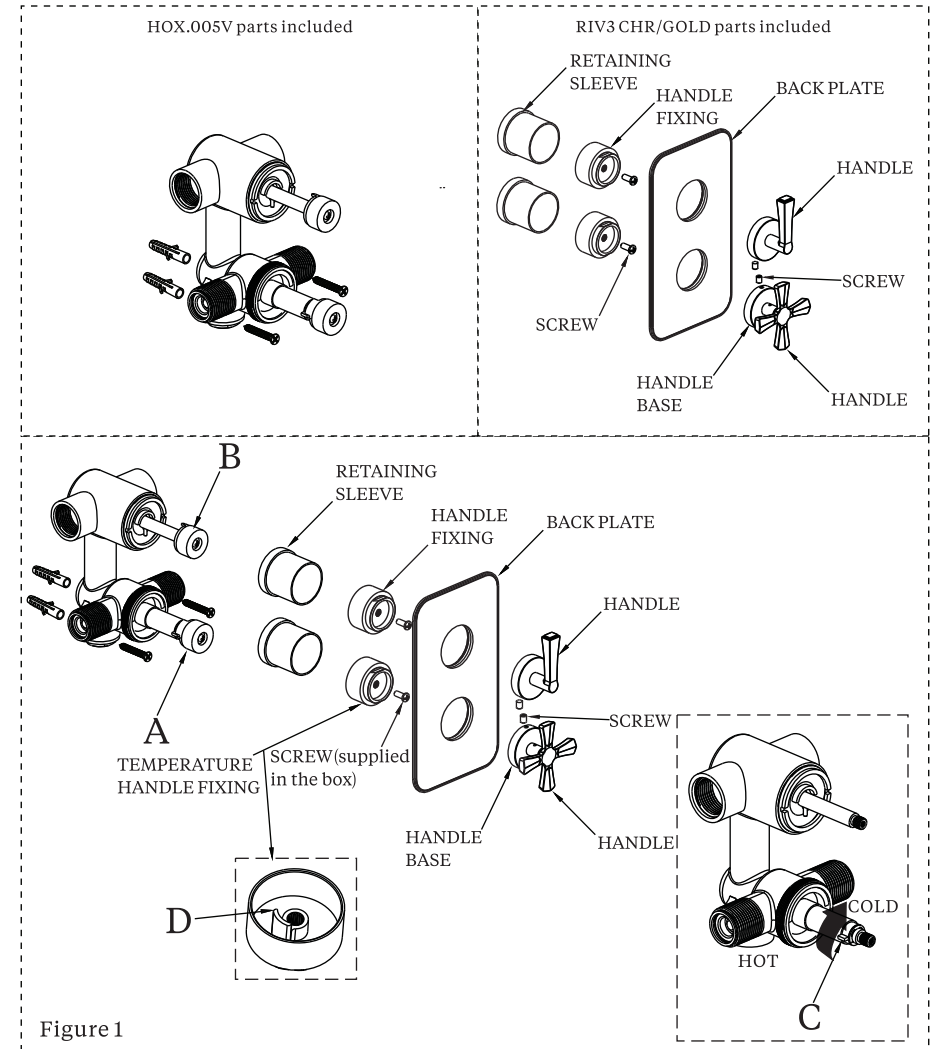


Figure 1

## **IMPORTANT:**

For valve body installation, please refer to instructions included with HOX.005V.

### **For RIV3 trim sets, please follow below steps to install:**

1. Remove part A and part B from the valve. Part A & B, with the two plastic rings included in the valves are NOT need for this installation.  
 Attention: Please do NOT rotate the cartridge when removing part A.
2. Parts should be assembled in sequence illustrated by Figure 1.
  - 1) Screw the retaining sleeve onto the valve body.
  - 2) Install the handle fixing and temperature handle fixing. Please make sure the flats are horizontal. For the TEMPERATURE HANDLE FIXING, ensure the position D is aligned with position C as indicated in the diagram. Then fix the 2 handle fixings by the screws supplied.
  - 3) If needed, please adjust the retaining sleeves slightly to reduce or enlarge the gap between the sleeves and handle fixings. Please ensure the gap is at least 0.5mm to avoid friction during operation.
  - 4) Slide the back plate onto the retaining sleeve, slightly press the back plate evenly so that the double-sided tape on the back attach to the wall.
3. Assemble the 2 handles (lever handle on the top and cross handle on the bottom).

## **Installation of RIV2 CHR/GOLD trim sets (needs to be used with HOX.006V)**

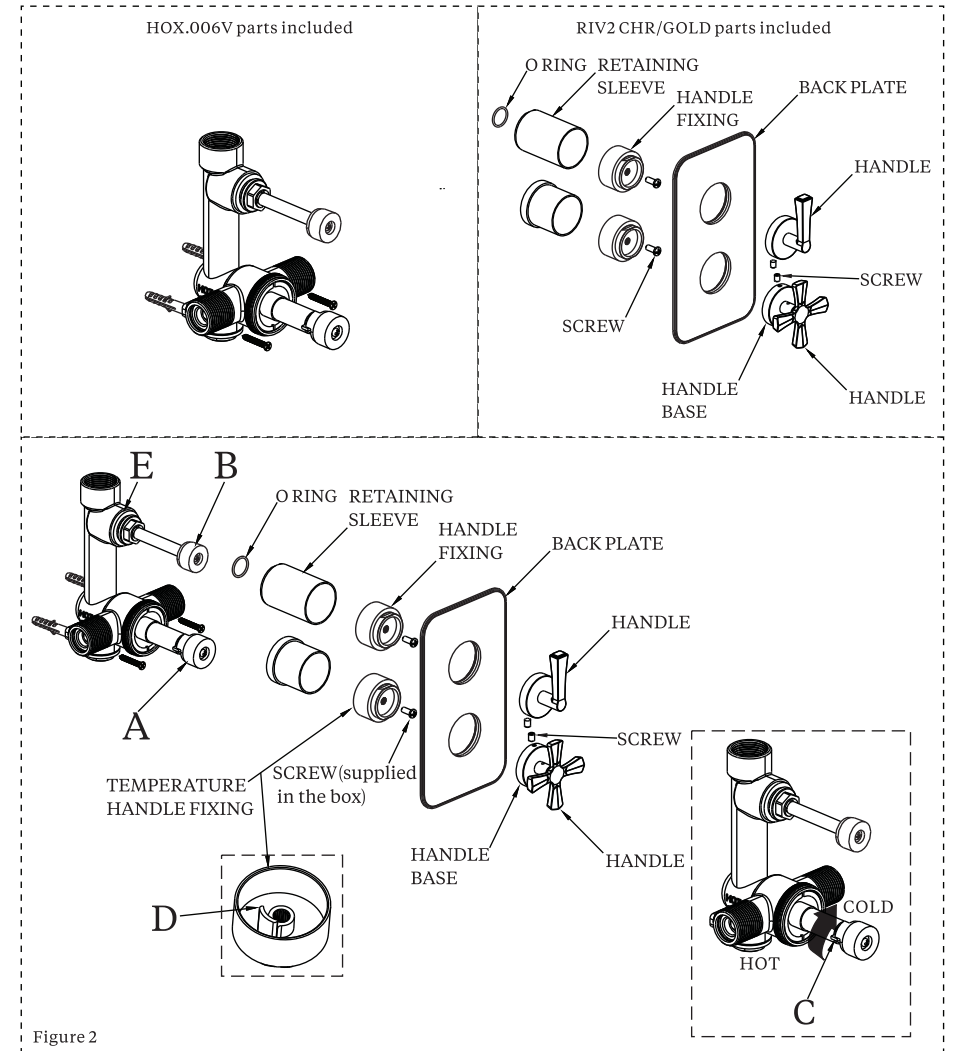


Figure 2

## MAINTENANCE

We do NOT recommend you use any household cleaners to clean the product because these cleaners change substance or formula too frequently. The product should be always cleaned only with soapy water and rinsed with clean water and dried with a soft cloth.

## THE QUALIFICATIONS

This product should only be fitted by a qualified plumber to the equivalent of UK NVQ (National Vocational Qualification) or SNVQ (Scottish National Vocational Qualification) Level 3. Should the installation be completed by a non-qualified person then the guarantee may be considered invalid.

## **IMPORTANT:**

For valve body installation, please refer to instructions included with HOX.006V.

### **For RIV2 trim sets, please follow below steps to install:**

1. Remove part A and part B from the valve. Part A & B, with the two plastic rings included in the valves are NOT need for this installation.

Attention: Please do NOT rotate the cartridge when removing part A.

2. Parts should be assembled in sequence illustrated by Figure2.

1) Assemble the O ring supplied onto the bottom of the ON/OFF valve indicated by position E.

2) Screw the retaining sleeve onto the valve body.

3) Install the handle fixing and temperature handle fixing. Please make sure the flats are horizontal. For the TEMPERATURE HANDLE FIXING, ensure the position D is aligned with position C as indicated in the diagram. Then fix the 2 handle fixings by the screws supplied.

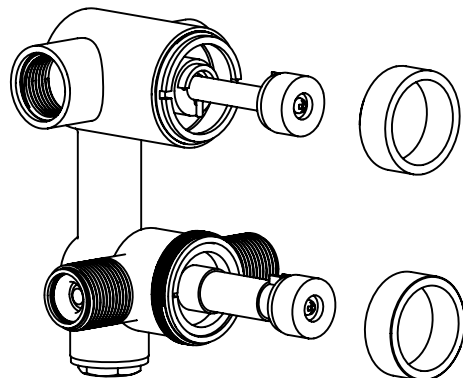
4) If needed, please adjust the retaining sleeves slightly to reduce or enlarge the gap between the sleeves and handle fixings. Please ensure the gap is at least 0.5mm to avoid friction during operation.

5) Slide the back plate onto the retaining sleeve, slightly press the back plate evenly so that the double-sided tape on the back attach to the wall.

3. Assemble the 2 handles (lever handle on the top and cross handle on the bottom).

# BRITTON<sup>®</sup>

## Concealed Valve with Diverter - HOX.005V



### **Important**

- We recommend that this product is installed by a qualified professional plumber who is certified by NVQ (National Vocational Qualification) or SNVQ (Scottish National Vocational Qualification) Level 3.
- Please check this product upon delivery to ensure that it has not been damaged and is complete.
- Before installation, please make sure this product is the correct model and you have all the parts required for installation and use.
- If possible the valve should be supplied with hot and cold water at balanced pressure.
- It is important to flush the water system to ensure that no swarf, solder, or any other impurity or foreign body can enter the valve.
- Turn off the water supply before commencing work, this should be done at the isolating valves or inlet feeds if fitted, or otherwise at the main stopcock.
- Please read these instructions carefully and keep them for future reference.

### **Conditions for the use of thermostatic mixing valve**

The thermostatic valve has been designed to be compliant with the relevant UK standards applicable to this type of product governed by TMV2 standards and WRC. The valve is tested against BS EN 1287 & BS EN 1111.

The valve will operate under low pressure but it is recommended that the cold water supply is at least 2 meters from the outlet of the shower valve.

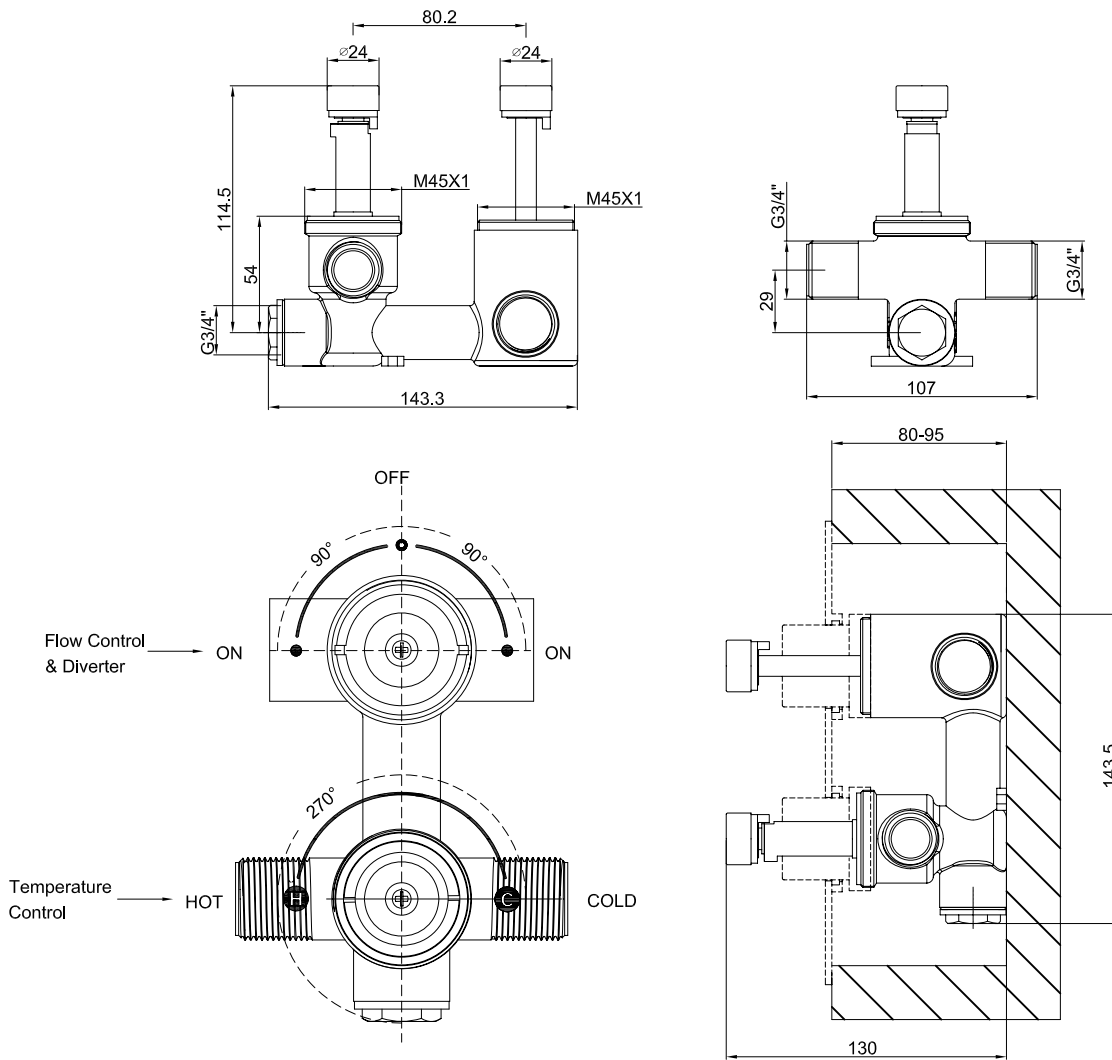
- This thermostatic valve is suitable for use with all water systems up to a maximum operating pressure of 5.0 bar, (beyond which we recommend pressure reducing valves to be fitted.)
- The valve is provided with two outlets, which are controlled by a flow control cartridge. Commonly one used for a main shower head, the other for a flexible shower kit.
- An independent, flexible hot and cold water supply pipe is recommended for use to easy maintenance.
- If installing a shower pump always install the pump before the shower valve.

The list below shows the recommended limits for correct operation;

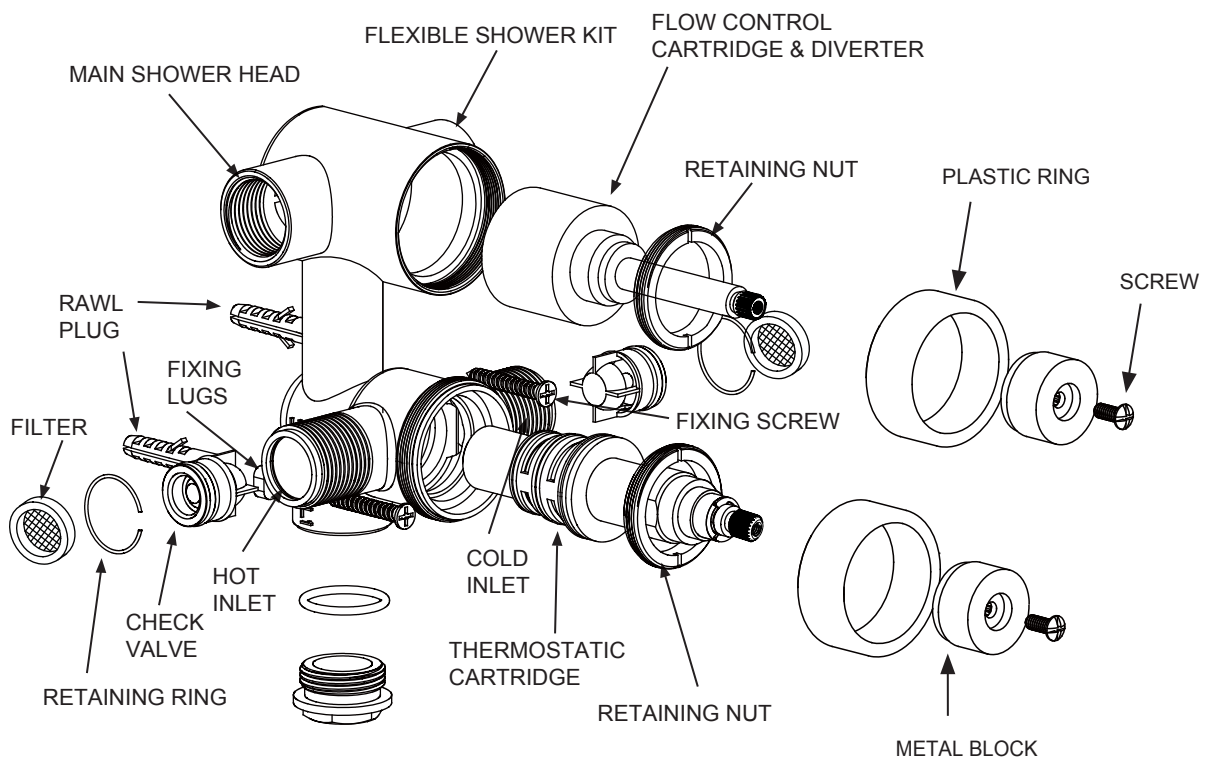
	Low Pressure
Maximum Static Pressure – Bar	10
Flow Pressure, Hot & Cold - Bar	0.1 to 5
Hot Supply Temperature - °C	55 to 65
Cold Supply Temperature - °C	Equal to or less than 25°

The British Burns Association recommends 37 to 37.5°C as a comfortable bathing temperature for children. In premises covered by the Care Standards Act 2000, the maximum mixed water outlet temperature of 43°C.

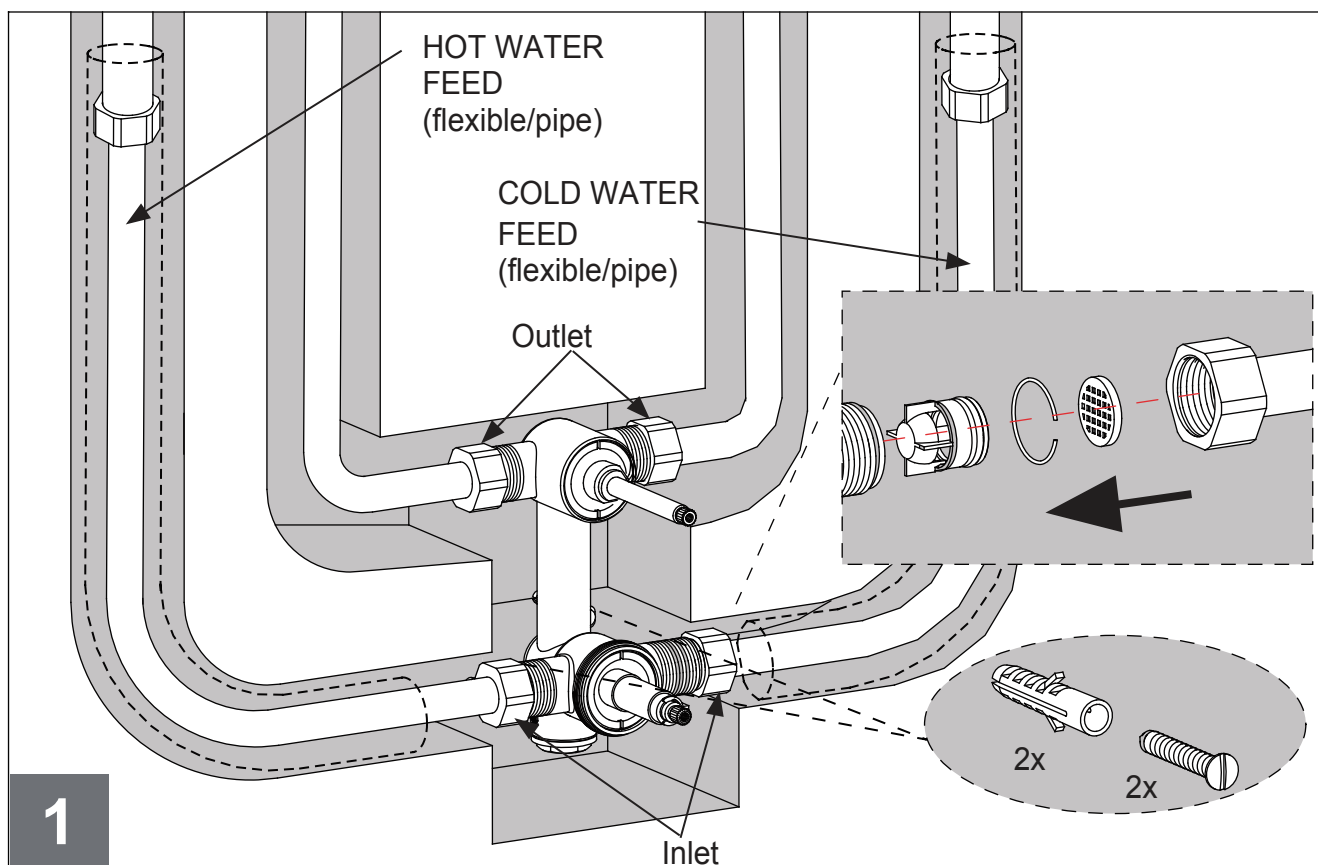
## Dimension



## Parts Identification



## Installation



The valve should be installed in accordance with the water bye-laws. For further details refer to the latest copy of Water Bye-laws guide or your local water authority.

**Note:** Please check for any hidden pipes and cables before drilling holes in the wall.

The fitting of isolation valves is required as close as is practicable to both hot and cold water supply inlets.

1. Put the valve onto the wall and mark the position of the fixing lugs (X2).
2. Make sure the valve is set back from the front face of the wall by the appropriate depth to allow for plasterboard, tiling and filling etc. (min. 80 to max. 95mm)
3. Mount casting to the wall using suitable fixings (See Fig 1).
4. Inlets and outlets are all tapped 3/4". Make all the pipe work connections using a proprietary thread sealer.  
Don't use the tapered threaded adaptors.
5. Two outlet are recommended for use, one is for a main shower head, the other for a flexible shower kit. The pipe connection is recommended as the diagram above ((See Fig 1).  
That will be convenient for taking off the valve for easy maintenance.
6. Turn on supplies and test all connections for water tightness. (if necessary, the filter and check valve need to be cleaned)
7. After plasterboard, tiling and filling, please install the trim sets.
8. For trim sets installation, please refer to instructions included with trim sets.

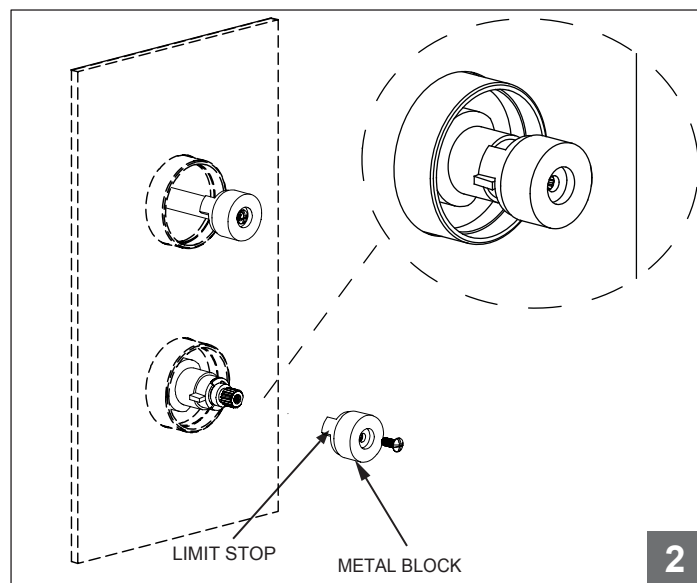
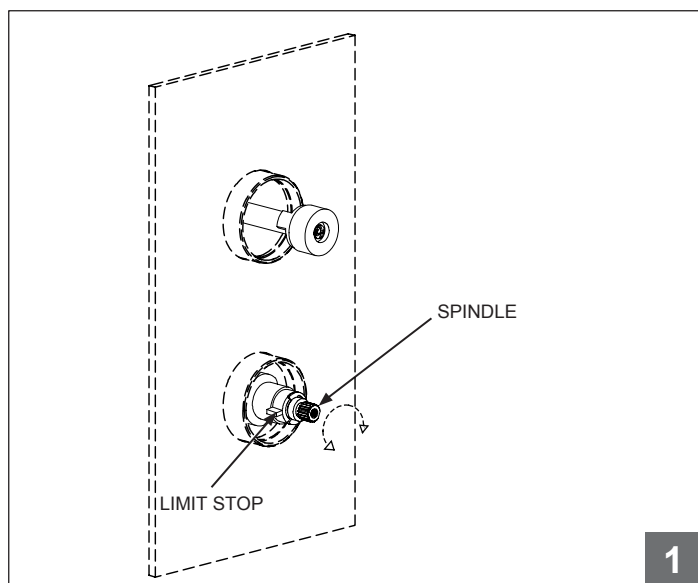
## CARE OF YOUR SHOWER VALVE

We recommend cleaning the valve with soft damp cloth. We strongly advise against the use of ALL cleaning Products.

## Temperature Setting

The temperature control handles on this product are factory set and should require no adjustment.

However, if for any reason the handles and/or the cartridge is removed it is important the following procedure is followed.



- 1 ) Remove the control handle and unscrew the centre screw of the metal block. Take off the metal block.
- 2 ) Rotate the exposed thermostatic spindle (clockwise for cold, and anti-clockwise for hot) until the maximum desired showering temperature is set.  
The suggested maximum "pre-set" temperature is 42°C. (See Fig 1)
- 3 ) Without any move at the spindle, replace the metal block so that limit stop up to the right hand side of the limit stop on the cartridge. (See Fig 2)
- 4 ) Then refit the temperature control handle.

## Commissioning & Annual Test

The installation of thermostatic mixing valves must comply with the requirement of the Water Supply (Water Fittings) Regulations 1999.

TMV2 approve valve must be tested once a year, to check if it is out of the original maximum temperature set.

1. Prepare a calibrated thermometer.
2. Adjust to maximum water temperature.
3. Allow water running 5 seconds for stability, measure the mixed water temperature at the outlet.
  - The mixed water temperature at the outlet should never exceed 42°C for showers.
  - The mixed water temperature at the outlet should never exceed 46°C for bath filler.

### **Note:**

46°C is the maximum mixed water temperature from the bath tap. The maximum temperature takes account of the allowable temperature tolerances inherent in thermostatic mixing valves and temperature losses in metal baths. It is not a safe bathing temperature for adults or children.

The British Burns Association recommends 37 to 37.5°C as a comfortable bathing temperature for children. In premises covered by the Care Standards Act 2000, the maximum mixed water outlet temperature is 43°C.

IF NOT, then the adjustment of the temperature is necessary following the " Temperature Setting "

4. Close the isolating valve at the Cold water supply. While the flowing is residual, and the water temperature has no any change obviously from the initial maximum temperatue set.
5. Reopen the Cold supply, retest the water temperature. if also having no change obviously. Then the valve is working correctly, no further service work is required.

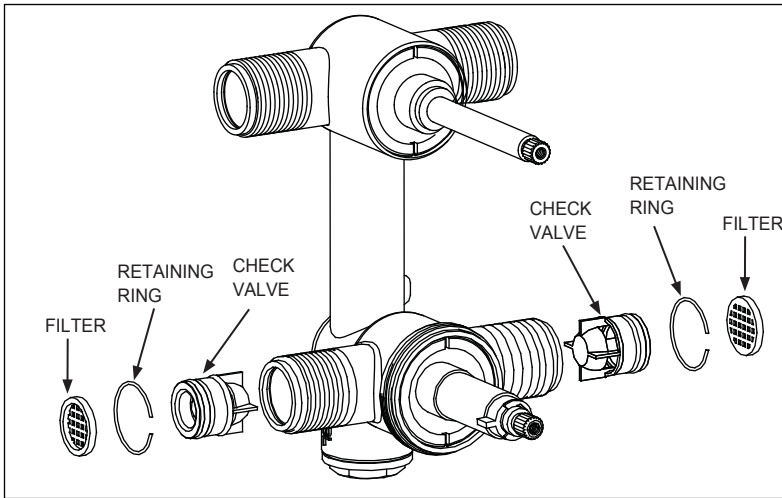


## Maintenance

\* After a long time usage of thermostatic valve, there will be some waste debris from the water pipe on and around the check valve or thermostatic cartridge, which will affect the flow and sensitivity of automatic temperature adjustment. Please take out the thermostatic cartridge, and clean the cartridge strainer.

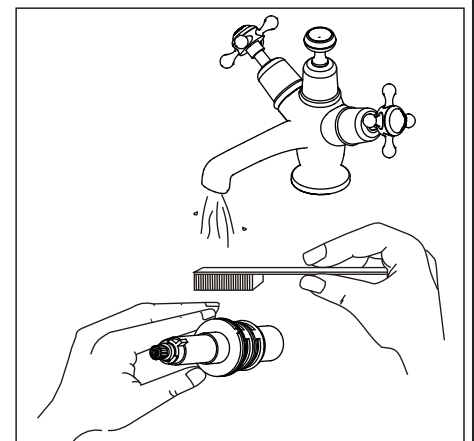
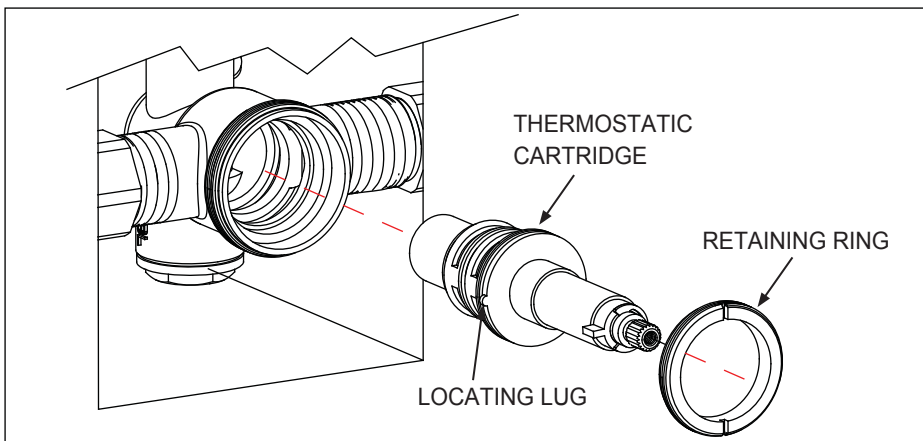
\* To avoid damage, please remove all parts(back plate, handles, sleeves) before any maintenance takes place.

### Maintenance (Filter & Check valve)



- A) Cutoff the Hot & Cold supply at the isolating valve.
- B) Screw down the Hot & Cold Connecting head.  
Screw down the outlet Connecting head.
- C) Using a suitable screwdriver to remove the fixing screw.
- D) Fetch out the valve, and take out the filter, check valve.
- E) Clear the filter and check valve with clean running water, dry and lightly grease the seals. (only use silicone grease)
- F) Put back all of the parts in sequence.

### Maintenance (Thermostatic Cartridge)



The concealed thermostatic cartridges should give trouble free service, but in the event of failure, servicing is straight forward.

- A) Remove the cartridge retaining ring.
- B) Pull out the thermostatic cartridge.
- C) Wash the thermostatic cartridge with clean running water, dry and lightly grease the seals (only use silicone grease).
- D) Put back the thermostatic cartridge (The locating lug should be sit inside the socket of housing), then tighten the retaining ring.

## Trouble Shooting

1. Output water temperature does not correspond with temperature set  
Cause: Thermostat has not been adjusted base on the existing home water system  
Remedy: Adjust the thermostat, refer to "Temperature Setting" procedure.  
Cause: Hot Water temperature too low.  
Remedy: Adjuster the water heater, increase hot water temperature to 65°C
2. Crossflow, cold water being forced into hot water pipe, or vice versa, when valve is closed  
Cause: check valves dirty or leaking  
Remedy: Clean the check valves or exchange if necessary
3. Very low flow or no flow  
Cause: Supply pressure inadequate  
Remedy: Check hot and cold feeds. If a pump has been installed, please check to see if the pump is working.  
(the valve will shut down if either the cold or hot water supply fails)
4. Water will not run hot enough when first installed  
Cause: Wrong maximum temperature setting  
Remedy: Adjust the maximum temperature, refer to "Temperature Setting" procedure.