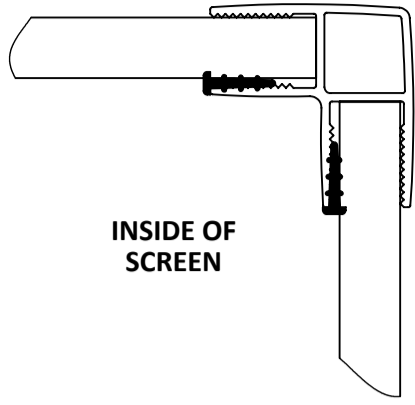


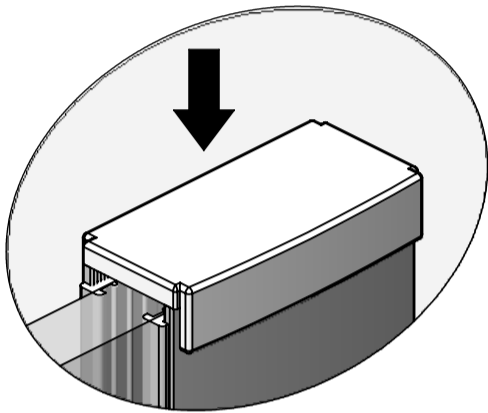
**9 OPTIONAL PANEL**



**INSIDE OF SCREEN**

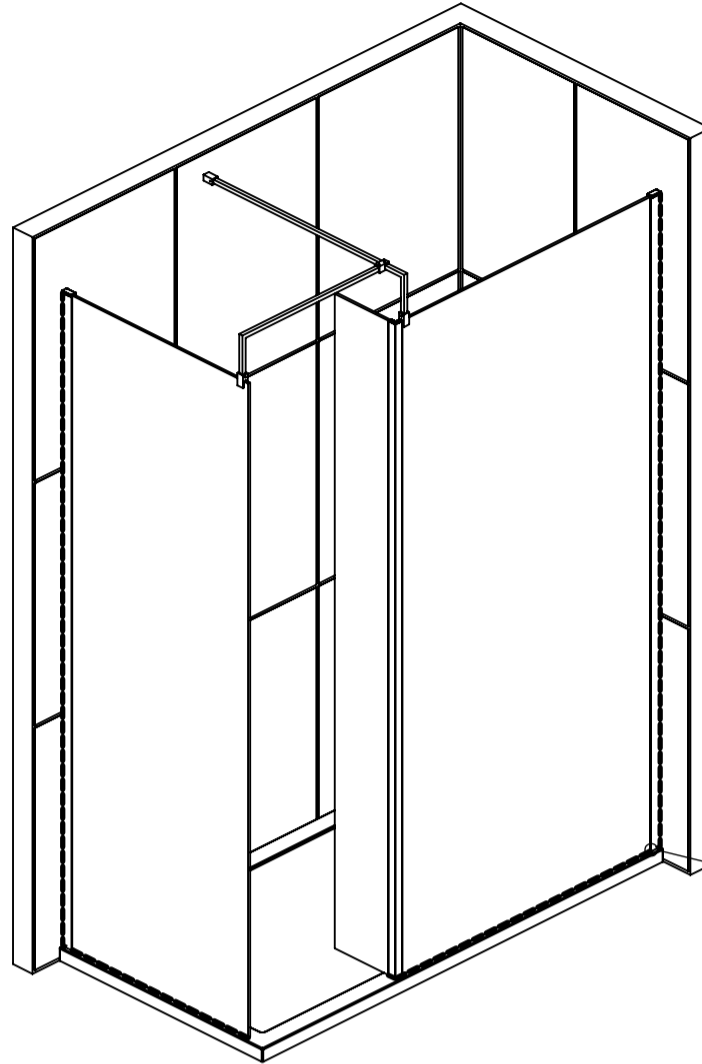
FINALLY FOR THE OPTIONAL RETURN GLASS PANEL FIT THE WEDGE SEALS (ITEM 18) INTO THE CORNER PROFILE AS SHOWN ABOVE. PUSH THE SEAL DOWN THE LENGTH OF THE CORNER PROFILE. A WOODEN BLOCK CAN BE USED TO AID FITTING. TRIM OFF ANY SURPLUS SEAL AT EITHER END SO ITS LEVEL WITH THE PROFILE.

**10**



FINALLY FIT THE WALL PROFILE CAP (ITEM 5). A SMALL BLOB OF SILICONE CAN BE APPLIED TO THE UNDERSIDE OF THE CAP TO HOLD IT IN PLACE IF NECESSARY.

**11**



EXTERNALLY SILICONE SEAL THE WALL PROFILE WHERE IT MEETS THE WALL AND ALONG THE BOTTOM OF THE GLASS. ALL IN A CONTINUOUS BEAD.

DO NOT SILICONE INSIDE THE ENCLOSURE

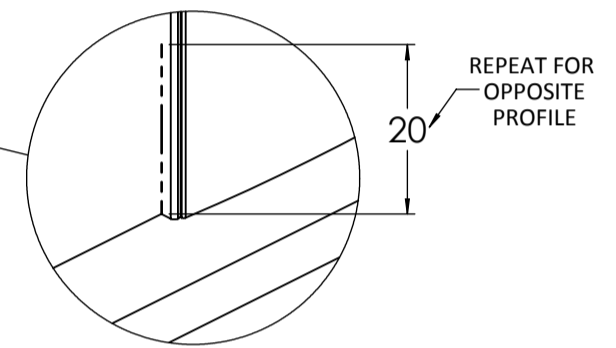
ALLOW THE SILICONE AT LEAST 24 HOURS TO FULLY CURE.

**AFTERCARE** - ENSURE YOU CLEAN YOUR PRODUCT USING A MILD DETERGENT DILUTED IN WATER, REMOVING ANY RESIDUE WITH A SOFT DAMP CLOTH.

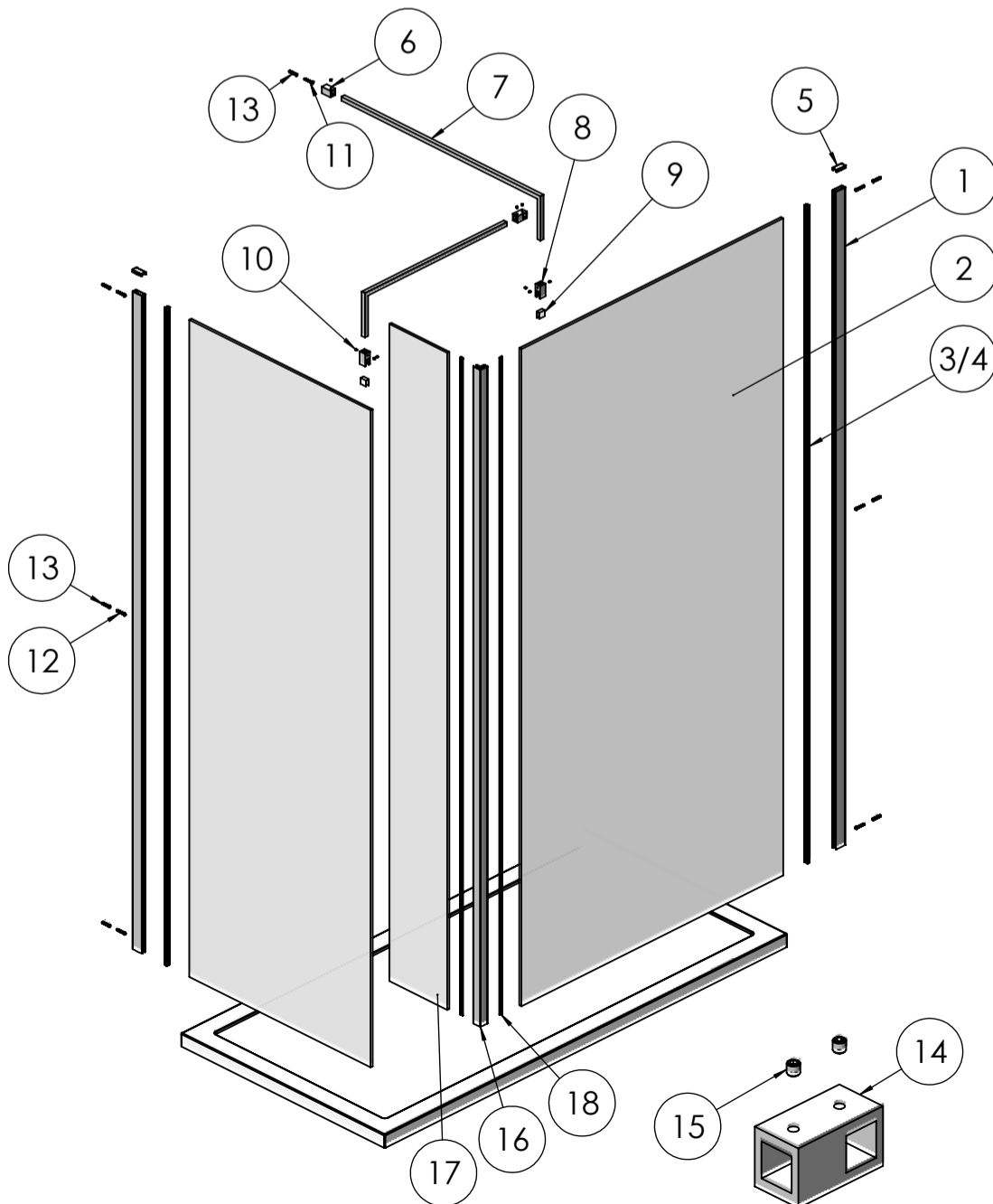
**MAINTENANCE** - ENSURE MOVING PARTS ARE FREE FROM ANY DEBRIS OR SOAP BUILD UP.

TROUBLE SHOOTING GUIDE

1. IS THE TRAY LEVEL (SEE STEP 1).
2. ARE THE WALL PROFILES PLUMB VERTICALLY (SEE STEP 2).
3. DO THE FINISHED TRAY MEASUREMENTS COMPLY WITH THE ADJUSTMENTS LISTED IN THE PRODUCT SPECIFICATION.



**WETROOM SCREEN INSTRUCTION**



UNPACK THE BOX AND ENSURE ALL COMPONENTS ARE PRESENT.

NO REFUNDS OR REFITTING COST WILL BE GIVEN IF INCOMPLETE OR DAMAGED GOODS ARE FITTED.

THE TOUGHENED SAFETY GLASS SHOULD BE HANDLED WITH CARE AS IMPACTS WILL DAMAGE THE GLASS OR ENCLOSURE.

FIT THE SHOWER TRAY AS PER THE MANUFACTURERS INSTRUCTIONS.

NOTE: IF THE TRAY ISN'T TRUE AND LEVEL, IT MUST BE RECTIFIED BEFORE SILICONING AROUND THE TOP EDGE OF THE TRAY WHERE IT MEETS THE TILES. ALLOW THE SILICONE TO DRY BEFORE FITTING THE ENCLOSURE.

**TOOLS REQUIRED**

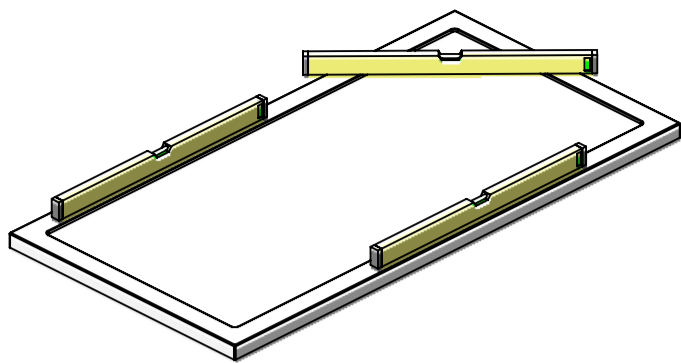
- POWER DRILL - 6mm MASONARY DRILL BIT
- CROSS HEAD SCREW DRIVER - TAPE MEASURE - PENCIL
- SILICONE GUN WITH SANITARY GRADE SEALANT - SPIRIT LEVEL.

FOR A SINGLE SCREEN			
ITEM	DESCRIPTION	Note	QTY
1	WALL PROFILE		1
2	SHOWER WALL GLASS		1
3	PUSH IN 'V' SEAL THICK	FOR 8mm GLASS	1
4	PUSH IN 'V' SEAL THIN	FOR 10mm GLASS	1
5	WALL PROFILE CAP		1
6	TOP BAR WALL SOCKET		1
7	TOP BAR		1
8	GLASS CLAMP		1
9	PVC SADDLE		1
10	GRUB SCREW		4
11	30mm CSK SCREW		1
12	30mm SELF TAPPER SCREW	FOR FIXING TO WALL	3
13	PLASTIC WALL PLUG		4

WALK-IN "T" PIECE SOCKET SET			
ITEM	DESCRIPTION	Note	QTY
14	"T" PIECE SOCKET		1
15	GRUB SCREW		2

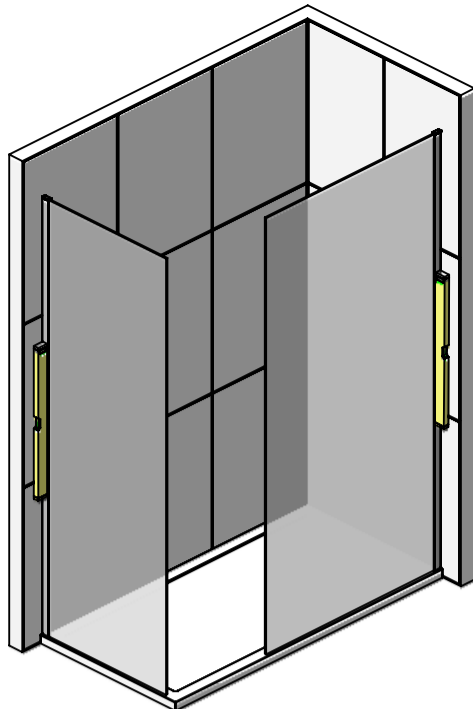
OPTIONAL RETURN PANEL			
ITEM	DESCRIPTION	Note	QTY
16	CORNER PROFILE		1
17	RETURN GLASS PANEL		1
18	WEDGE SEALS		2

1



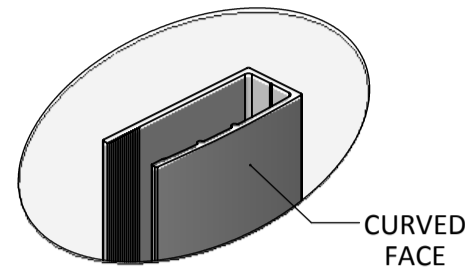
ENSURE THE TRAY IS LEVEL IN ALL PLANES.  
IF THE TRAY IS NOT LEVEL IT WILL CAUSE FITTING ISSUES.

2

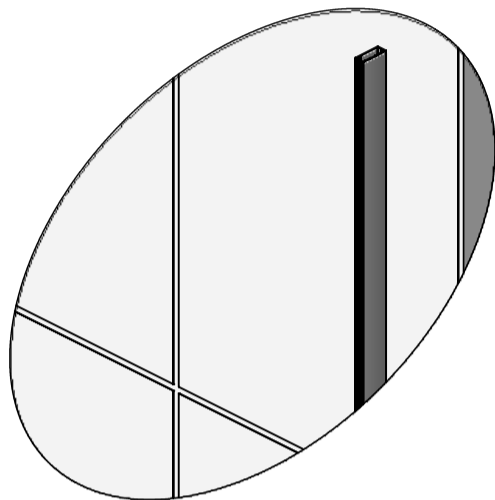


POSITION THE WALL PROFILES ON THE TRAY IN A SUITABLE POSITION. MAKE SURE THEY'RE TRUE WITH A SPIRIT LEVEL, THEN MARK THROUGH THE FIXING HOLES WITH A PENCIL. REMOVE PROFILES THEN DRILL AND PLUG THE WALL (ITEM 13). NOW FIX THE WALL PROFILE IN PLACE USING ITEM 12.

BEFORE FIXING ENSURE THAT THE CURVED FACE OF THE PROFILE IS FACING OUTWARDS FROM THE ENCLOSURE.

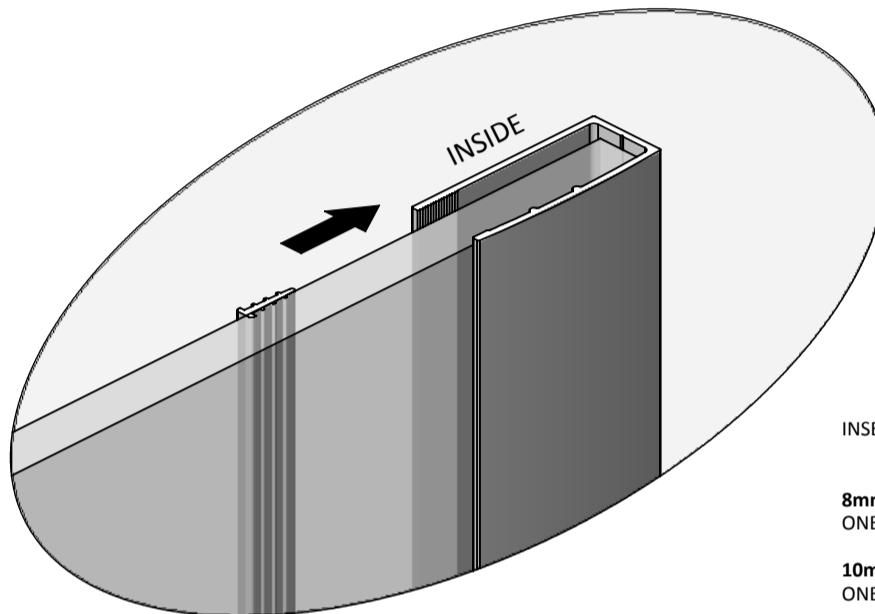


3



**OPTIONAL**  
RUN A SMALL BEAD OF SILICONE DOWN THE INSIDE OF THE WALL PROFILES BEFORE FITTING GLASS. NOW SLIDE THE GLASS PANELS (ITEM 2) INTO THE PROFILES.

4



INSERT PUSH IN 'V' SEALS AS FOLLOWS:

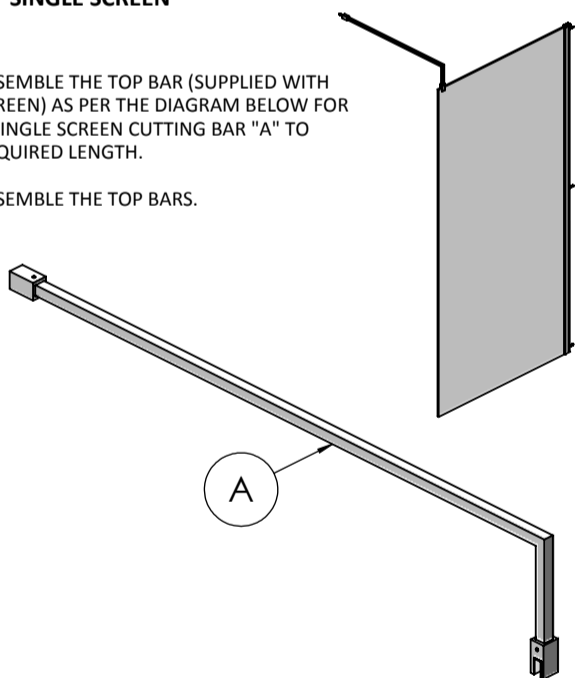
**8mm GLASS**  
ONE THICK SEAL ON THE INSIDE OF THE GLASS PANEL.

**10mm GLASS**  
ONE THIN SEAL ON THE INSIDE OF THE GLASS PANEL.

### 5a SINGLE SCREEN

ASSEMBLE THE TOP BAR (SUPPLIED WITH SCREEN) AS PER THE DIAGRAM BELOW FOR A SINGLE SCREEN CUTTING BAR "A" TO REQUIRED LENGTH.

ASSEMBLE THE TOP BARS.



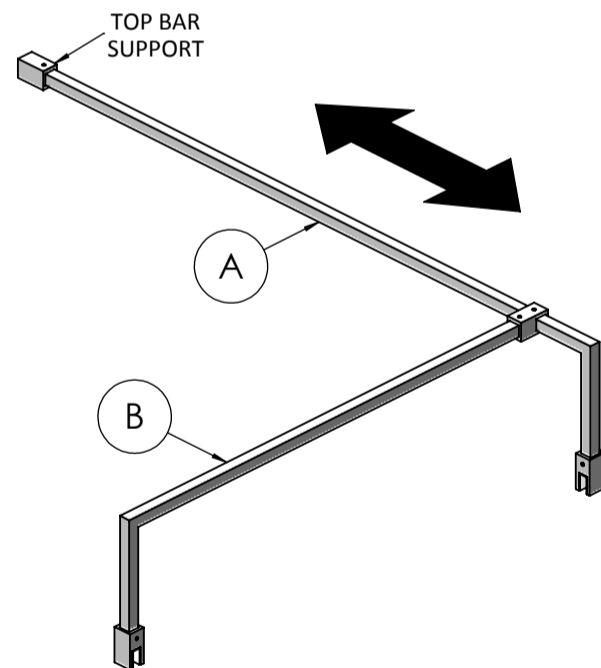
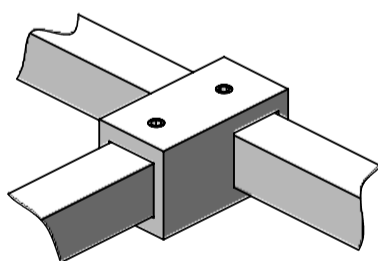
### 5b WALK-IN CONFIGURATION

ASSEMBLE THE TOP BARS (SUPPLIED WITH SCREEN) AS PER THE DIAGRAM ACROSS FOR A WALK-IN CONFIGURATION CUTTING BAR "A" TO REQUIRED LENGTH.

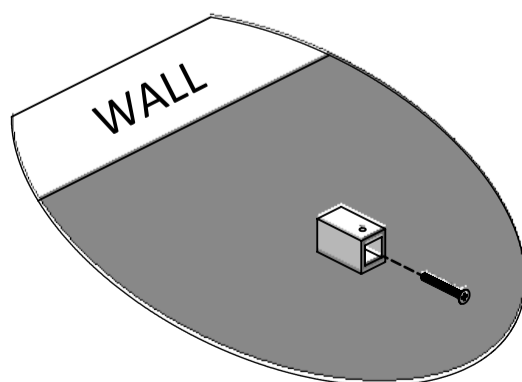
ENSURE BEFORE FIXING THE TOP BAR WALL SOCKET THAT YOU HAVE POSITIONED THE 'T' PIECE SOCKET (ITEM 14) ONTO BAR "A" WITH THE GRUB SCREWS (ITEM 15) FACING UPWARDS.

NOW MEASURE AND CUT BAR "B" TO SUIT.

ASSEMBLE THE TOP BARS.



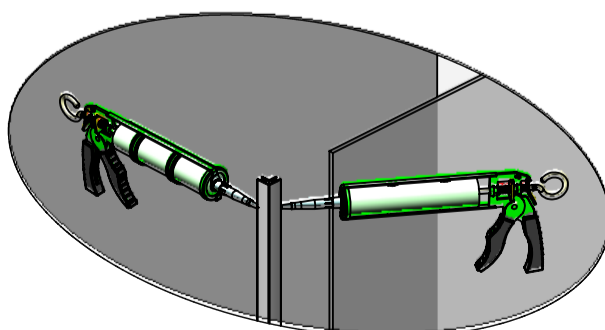
6



ONCE ASSEMBLED MARK AND DRILL THE TOP BAR WALL SOCKET (ITEM 6). ENSURE THE TOP BAR WALL SOCKET IS LEVEL AND THAT THE GRUB SCREW IS FACING UPWARDS BEFORE FIXING IT TO THE WALL USING ITEMS 11 & 13.

FIT BAR ASSEMBLY.

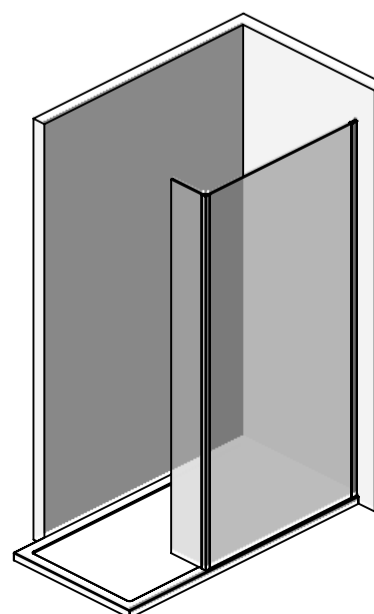
### 7 OPTIONAL PANEL



TO FIX THE OPTIONAL GLASS PANEL INTO PLACE, FIRSTLY RUN A SMALL BEAD OF SILICONE DOWN THE INSIDE OF EACH GLASS SLOT ON THE CORNER PROFILE (ITEM 16) STOPPING 5mm SHORT AT EITHER END.

THEN SLOT THE CORNER POST ON TO THE END OF THE SHOWER WALL GLASS (ITEM 2).

### 8 OPTIONAL PANEL



NOW SLOT THE SMALLER RETURN GLASS PANEL (ITEM 17) TO THE CORNER PROFILE ENSURING CORRECTLY SECURED.

# SHOWER TRAY INSTALLATION

Please fully read these installation procedures and familiarise yourself with the components before commencement. Inspect the product immediately and fully upon receipt, and prior to installation for transit damage or any defects. Your tray comes with a protective film. Peel back to inspect and then replace.

## **PLEASE NOTE: FITTING OF THIS TRAY WILL BE TAKEN AS ACCEPTANCE OF THE QUALITY**

**Note! Weights may vary due to the manufacturing process by +/- 10% of the stated weight. An amount of deviation can be expected on this type of product especially on the larger trays.**

### **Shower Tray installation onto a timber floor.**

It is recommended that all flat top shower trays are installed before tiling to ensure that the top radius of the tray is behind or at least below the tile face. This will help to create a water tight seal (Fig 5).

Carefully lower the tray into the chosen position, then mark the floor for the waste opening (Fig 2).

Check below the floor level to ensure that there is adequate access for the waste and pipe work.

If an obstruction is found, drill a hole and make provision in the floor of a sufficient diameter to allow the entire waste coupling to fall below the floor level. Make sure the floorboards are securely fixed.

If this is not possible, use 18/20mm thick green grade chipboard, cut to the size of the tray and fix in place.

**Caution!! Before attempting to secure any loose floorboards or the chipboard to the floorboards, check that there are no pipes or electrical connections beneath the floor level.**

Seal the installation area with a suitable clear waterproofing agent.

So that the tray is bedded completely level the tray area has to be FULLY COVERED with an 8mm minimum thickness of weak cement mix (Fig 3). The minimum thickness of mortar at the lowest point should be 5mm after the tray has been levelled. Check that the top of the tray is level (Fig 4).

Ensure that the entire base of the tray is fully supported as the base of the tray may not be entirely level.

This is due to the manufacturing process. Note the base of the tray has a built-in fall to allow for drainage.

When the cement has set, make the connection between the shower tray and the waste pipe.

The shower tray and all connections MUST now be checked for water tightness, flow and adequate drainage over the entire area. It is recommended that you use a suitable silicone sealant around the waste to create a watertight seal. **DO NOT PROCEED IF NOT SATISFIED.**

### **How To Mix Up A Standard Mortar**

Mix 1 part ordinary cement to 5 parts soft sand. Mix the two together on a smooth hard surface.

Measure the sand and then add the cement on top. Turn them together until they make a uniform colour.

Make a crater and add water gradually. Turn the mix into the water to a flexible consistency.

It must not be runny!

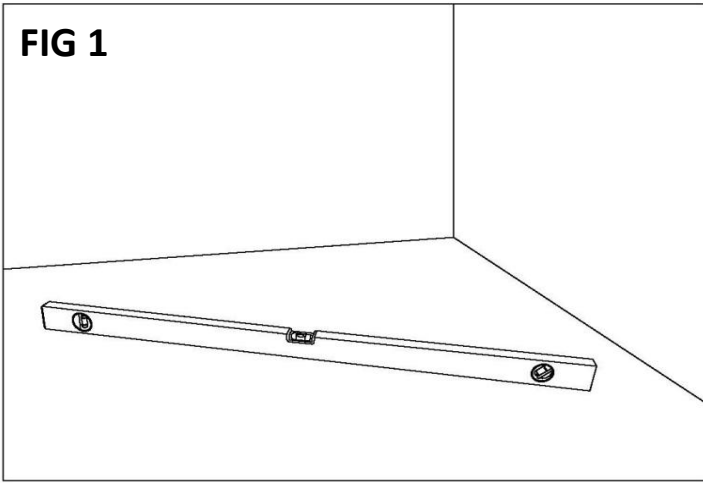
In the case of a flat top shower tray, it is advised that all the tray to wall joints are now sealed with a bead of silicone sealant, once this has been done the walls can be tiled. Ensure that you apply an additional bead of silicone sealant between the tray and the tiles, prior to fitting the wall channels (Fig 5).

### **Installation onto a Solid or Restricted Access Floor**

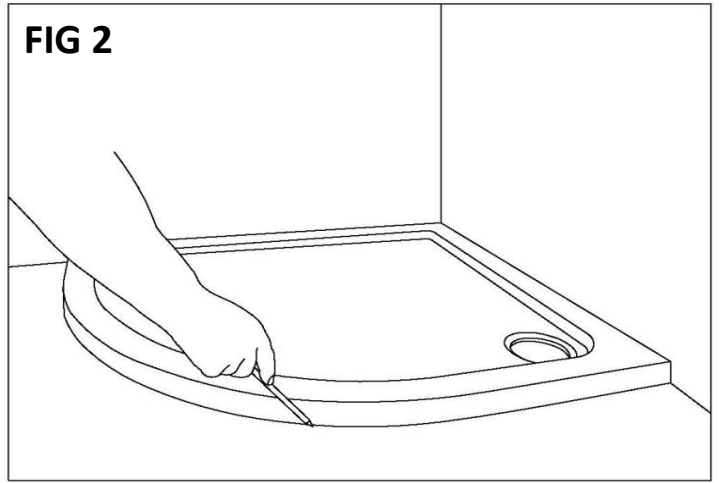
Where it is difficult to run a waste assembly under the floor, we recommend that you utilise our Universal Leg Set & Panel Kit. This is designed and specified for such installations to support the tray and give access to the waste behind removable panels.

**Note! For all trays fitted with 'easy plumb' leg kits, we recommend that you baton the wall to add additional support. For trays 1400mm and above, additional support must be given by cutting a board (11mm min thickness) to suit the size of tray and allowing enough space for the plinth clips to be fitted (not supplied). Fix panel to the underside using a compound adhesive or similar.**

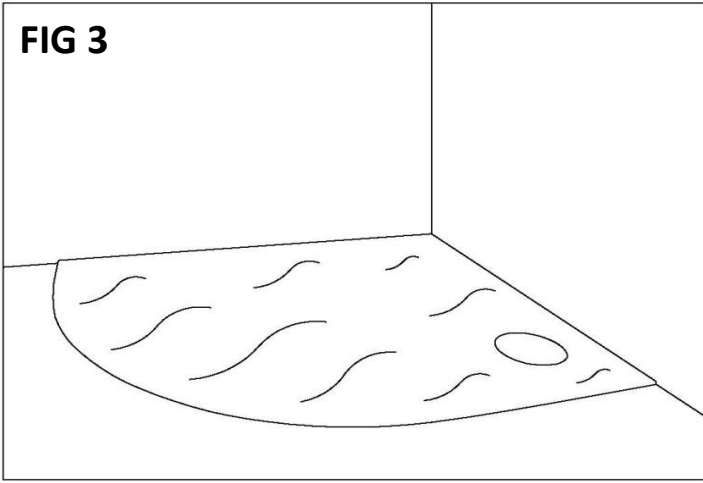
**FIG 1**



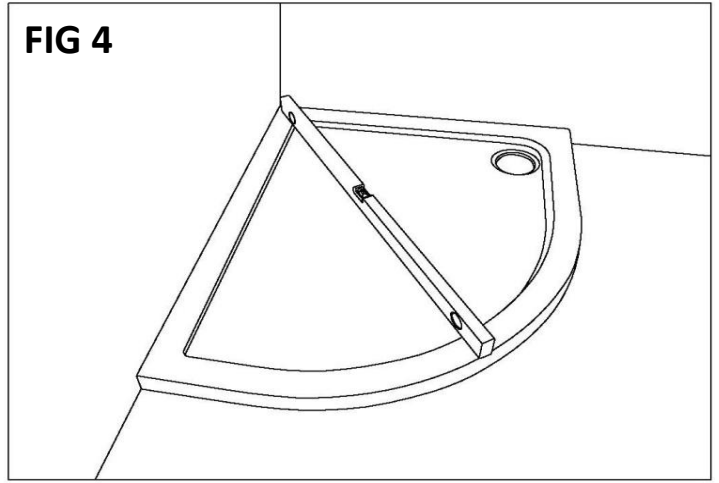
**FIG 2**



**FIG 3**



**FIG 4**



**FIG 5**

