

## Kitchen tap fitting example

To ensure the correct installation is executed it is recommended that you use a qualified competent installer to install this product.

Step 1 – Insert threaded barrel in to the tap

Step 2 – Insert flexi tails into the tap. Only hand tighten. Do not let the flexi tails coil. Do not loop them. Do not over tighten.

Step 3 – Place the tap on the sink. Make sure the baseplate and O-ring are situated to seal around the tap hole if applicable.

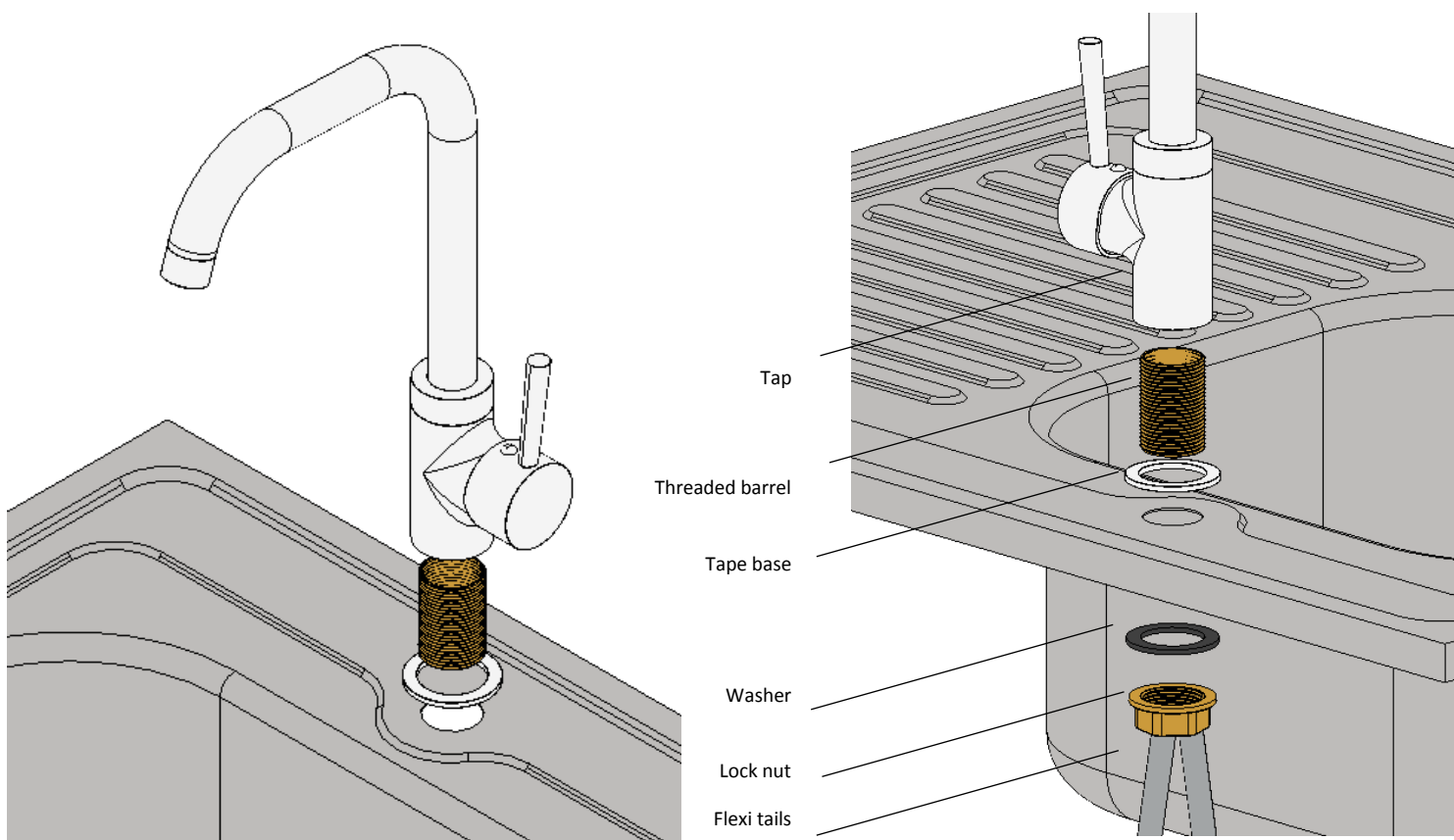
Step 4 – On the underside of the sink place the washer then the lock nut onto the threaded barrel.

Step 5 – Tighten the brass nuts using an appropriate box spanner or adjustable spanner.

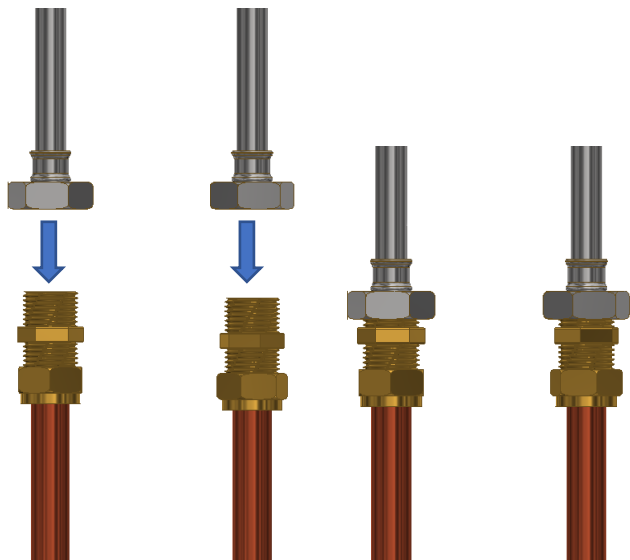
Step 6 – Connect hot feed to hot tail and tighten using spanners.

Step 7 - Do the same for the cold side (the tap from front on - cold is right, hot is left.)

Step 8 - Turn the water on to test for leaks.



### Connecting the flexitails to the water supply



#### Customer Care Guide

To clean your tap use water or soapy water only. Do not use abrasive cleaners.  
Do not allow limescale to build up in hard water areas  
Do not use abrasive products on any surfaces  
Bathroom products are vulnerable to acid attack and some household consumables such as hair dye, disinfectants, denture cleaners etc can contain such acids. Contact with these materials should be avoided.

This installation guide is for illustration purposes and may not be an exact representation of the physical product.  
This is a generic instruction guide. There is likely to be a discrepancy between this guide and that of the actual product. The latter should be taken as standard.

For full terms and conditions, please refer to the manufacturer

If further assistance is required, please contact your retailer or alternatively call our customer services team on 01924 666590